

[54] FACE GUARD FOR A HELMET

3,886,596 6/1975 Franklin 2/9

[75] Inventor: Clyde R. Morgan, Boring, Oreg.

Primary Examiner—Melvin B. Feifer
Attorney, Agent, or Firm—Daniel P. Chernoff

[73] Assignee: Wheelsport Distributing Co.

[**] Term: 14 Years

[21] Appl. No.: 622,420

[22] Filed: Oct. 14, 1975

[51] Int. Cl. D2-03

[52] U.S. Cl. D2/233

[58] Field of Search D2/233, 232, 231; 2/9,
2/10, 410, 411, 412, 422-425

[57] CLAIM

The ornamental design for a face guard for a helmet, as shown and described.

DESCRIPTION

FIG. 1 is a side view of a face guard assembly showing my new design;

FIG. 2 is a top view thereof;

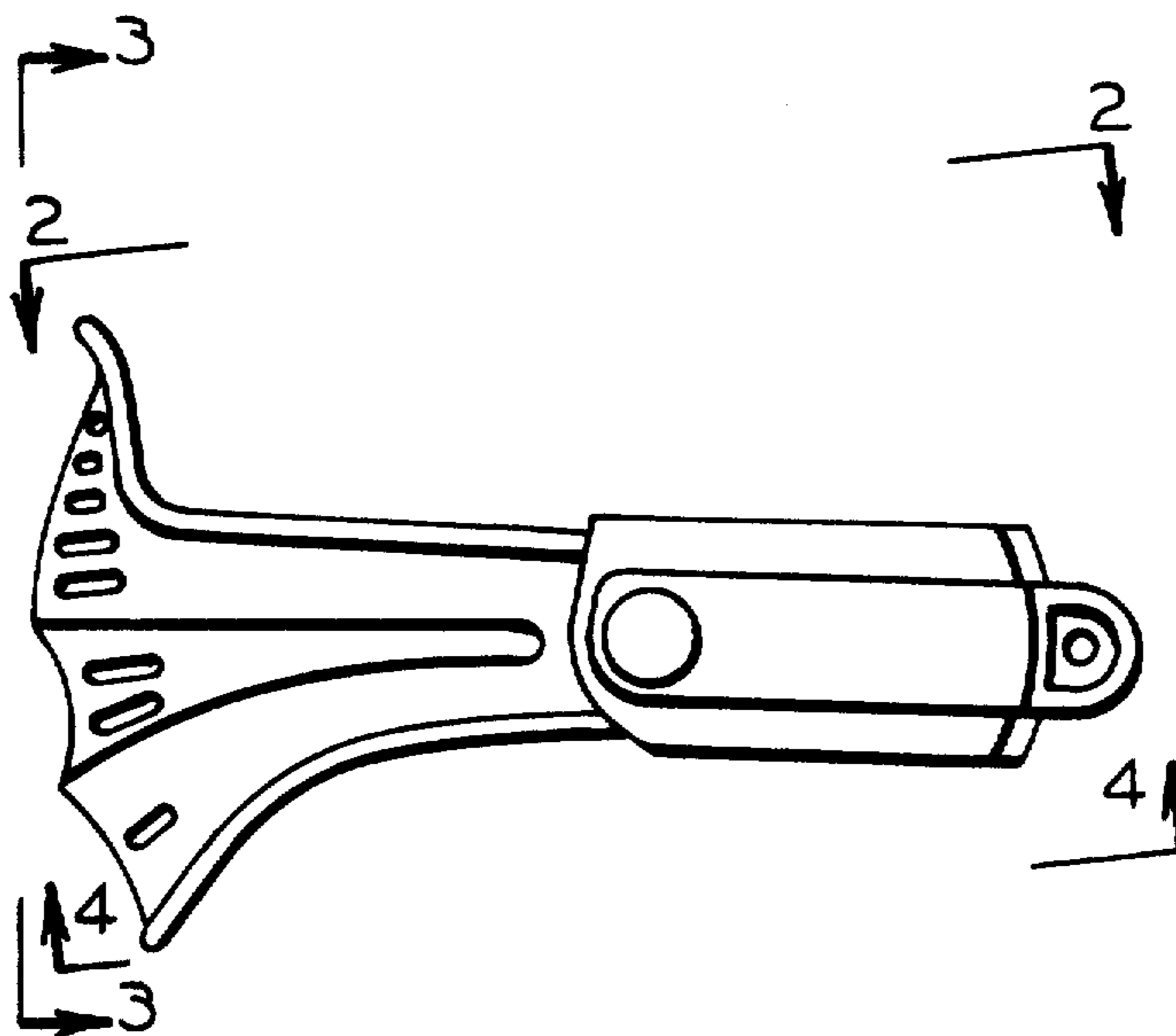
FIG. 3 is a front view thereof, the rear view of the design being a reverse impression of the front view; and

FIG. 4 is a bottom view thereof.

[56] References Cited

U.S. PATENT DOCUMENTS

2,890,457 6/1959 Marietta 2/9



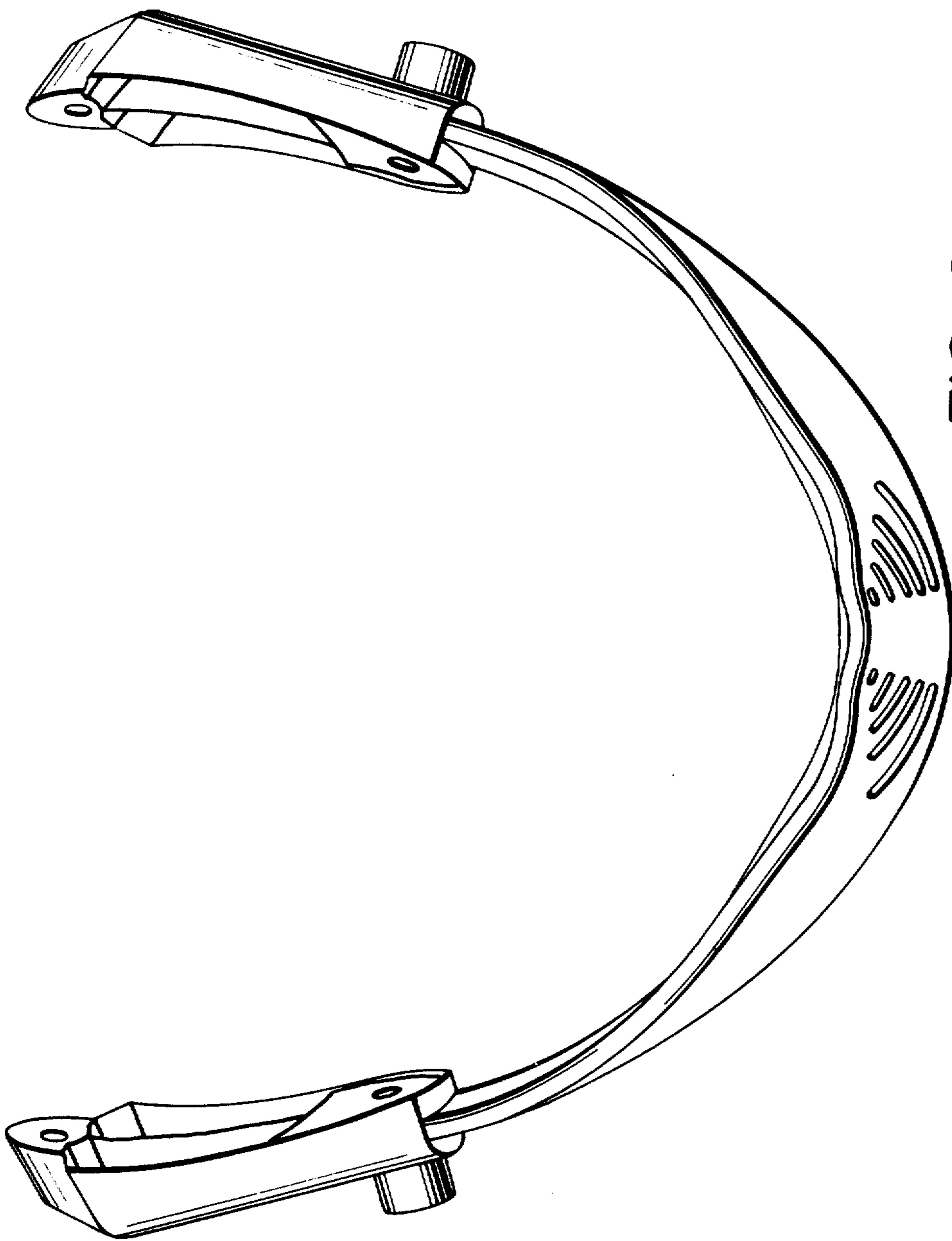


FIG. 2

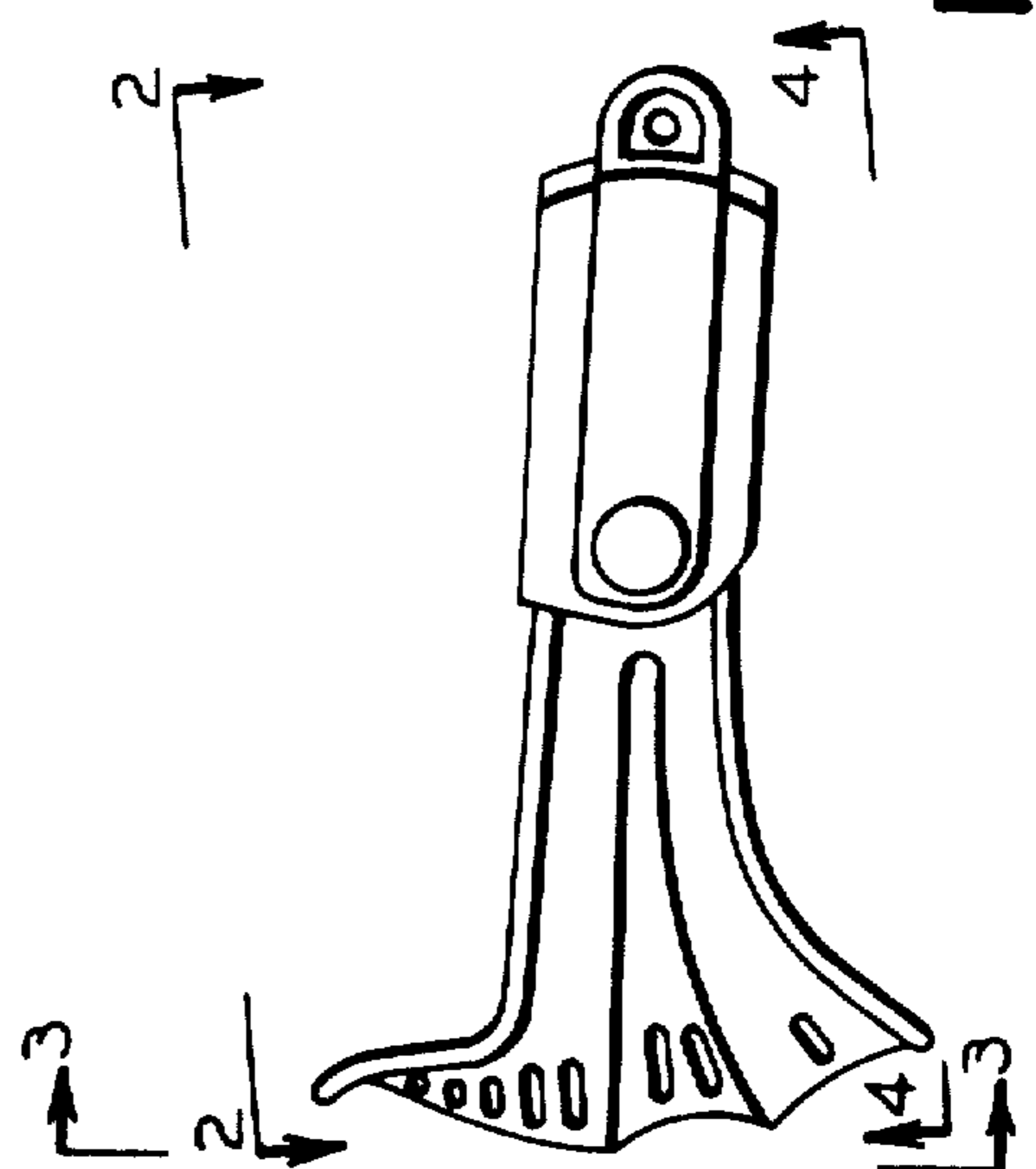


FIG. 1

