

[54] MOUTH GUARD FOR A SPORTS HELMET

[75] Inventor: Charles R. Farquharson, Toronto, Canada

[73] Assignee: Canadian Cycle & Motor Company Limited, Weston, Canada

[**] Term: 14 Years

[21] Appl. No.: 565,503

[22] Filed: Apr. 7, 1975

[30] Foreign Application Priority Data

Oct. 7, 1974 Canada 710743

[51] Int. Cl. D2-03

[52] U.S. Cl. D2/233

[58] Field of Search D2/233, 232, 231; 2/9, 2/3

[56] References Cited

U.S. PATENT DOCUMENTS

2,908,911 10/1959 Sowle D2/232

3,196,458 7/1965 Keith 2/9
D. 229,127 11/1973 Franklin D2/233

Primary Examiner—Melvin B. Feifer
Attorney, Agent, or Firm—David M. Rogers

[57] CLAIM

The ornamental design for a mouth guard for a sports helmet, as shown.

DESCRIPTION

FIG. 1 is a perspective view from the front and one side, viewed from above, of a first embodiment of the design;

FIG. 2 is a rear view corresponding to FIG. 1;

FIG. 3 is a front view corresponding to FIG. 1;

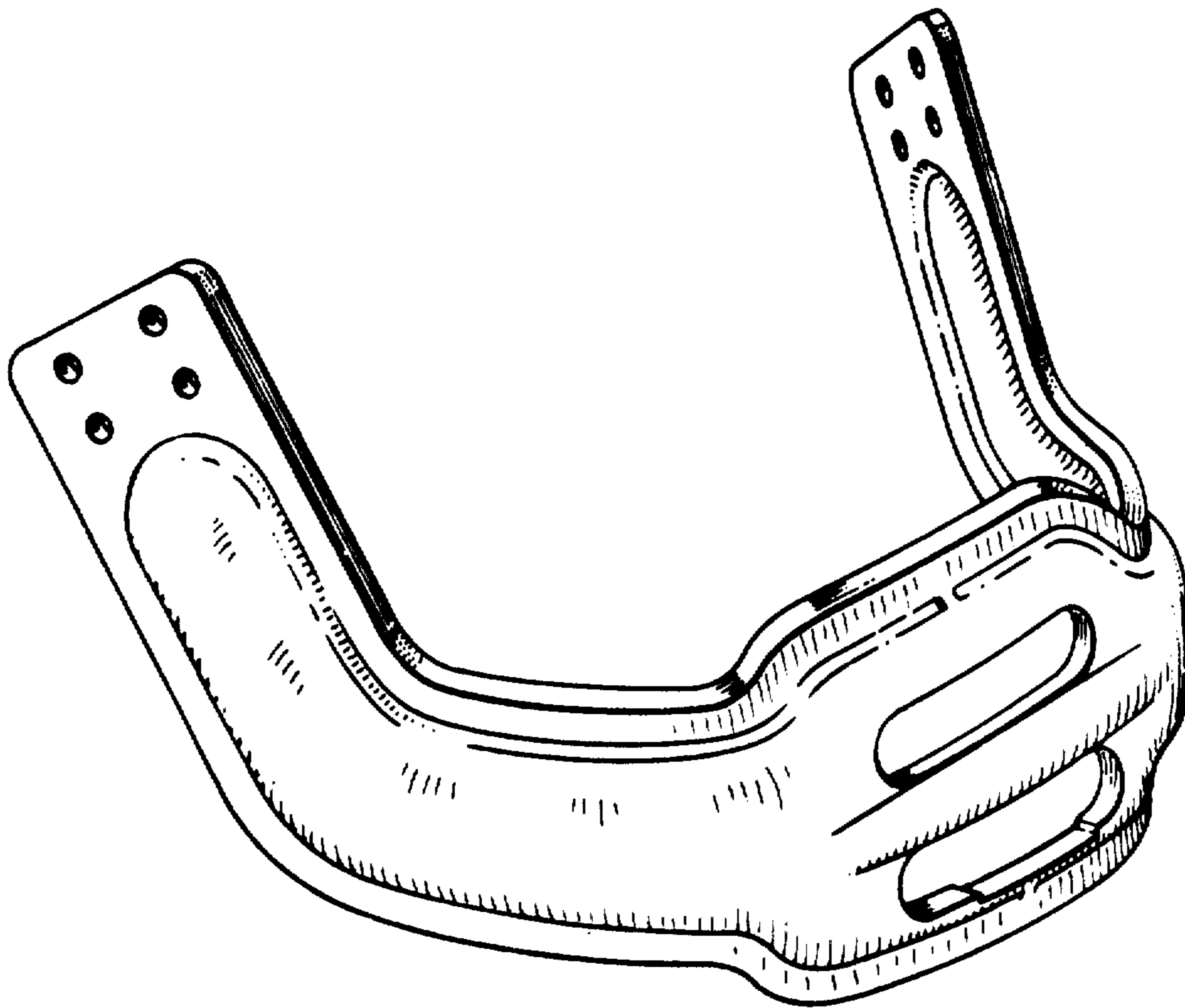
FIG. 4 is a side view corresponding to FIG. 1;

FIG. 5 is a perspective view from the front and one side, viewed from above, of a second embodiment of the design;

FIG. 6 is a rear view corresponding to FIG. 5;

FIG. 7 is a front view corresponding to FIG. 5, and,

FIG. 8 is a side view corresponding to FIG. 5.



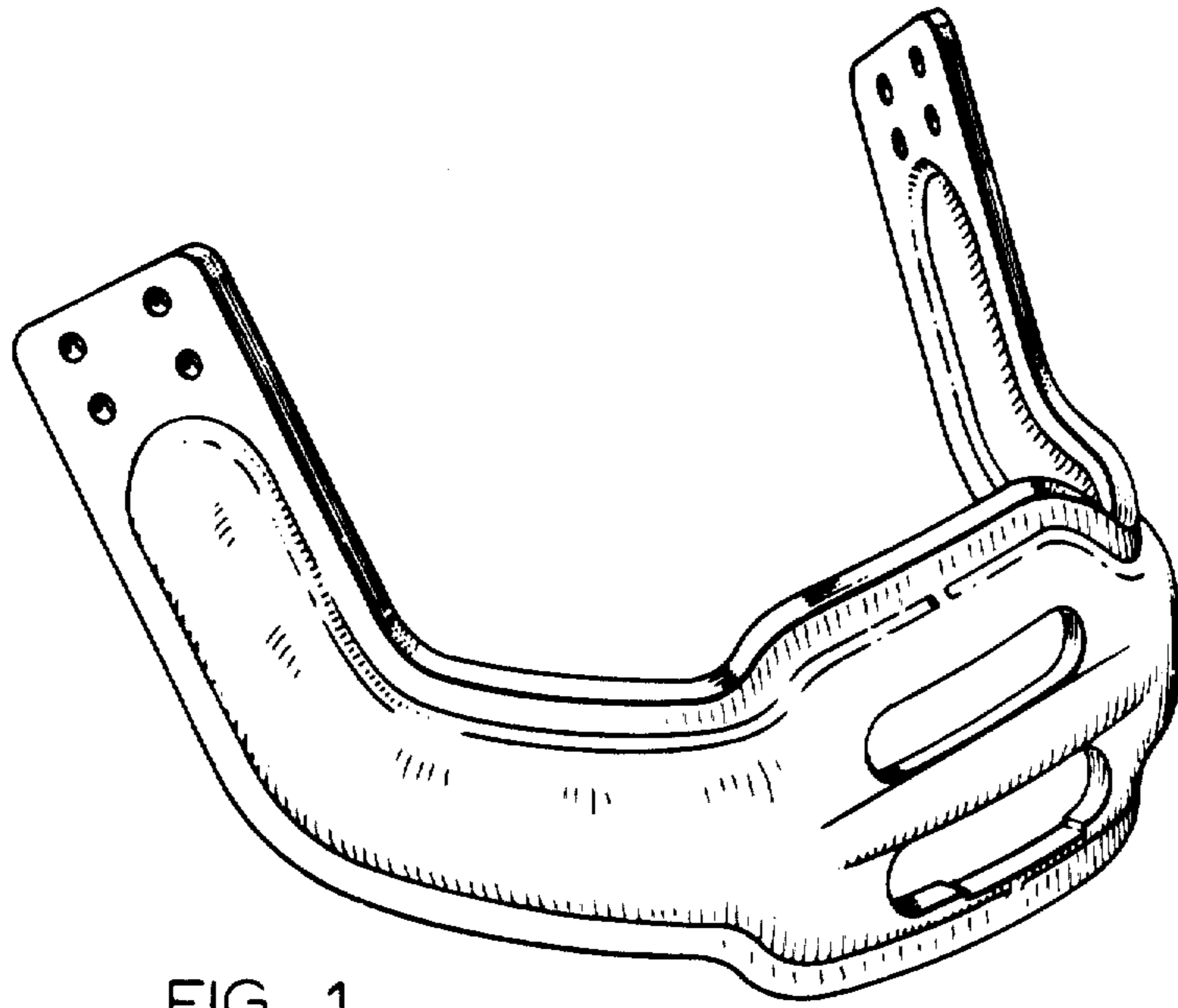


FIG. 1

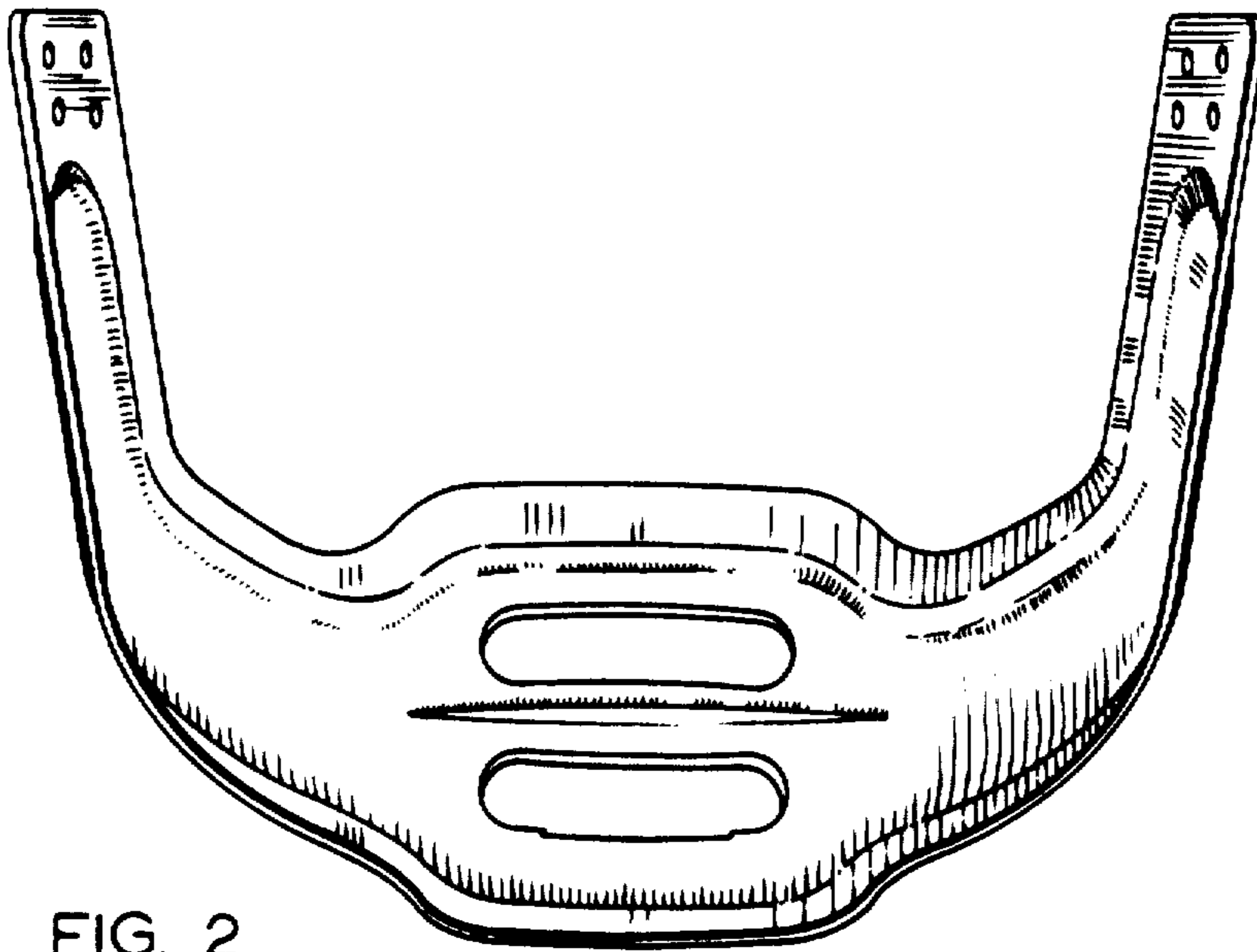


FIG. 2

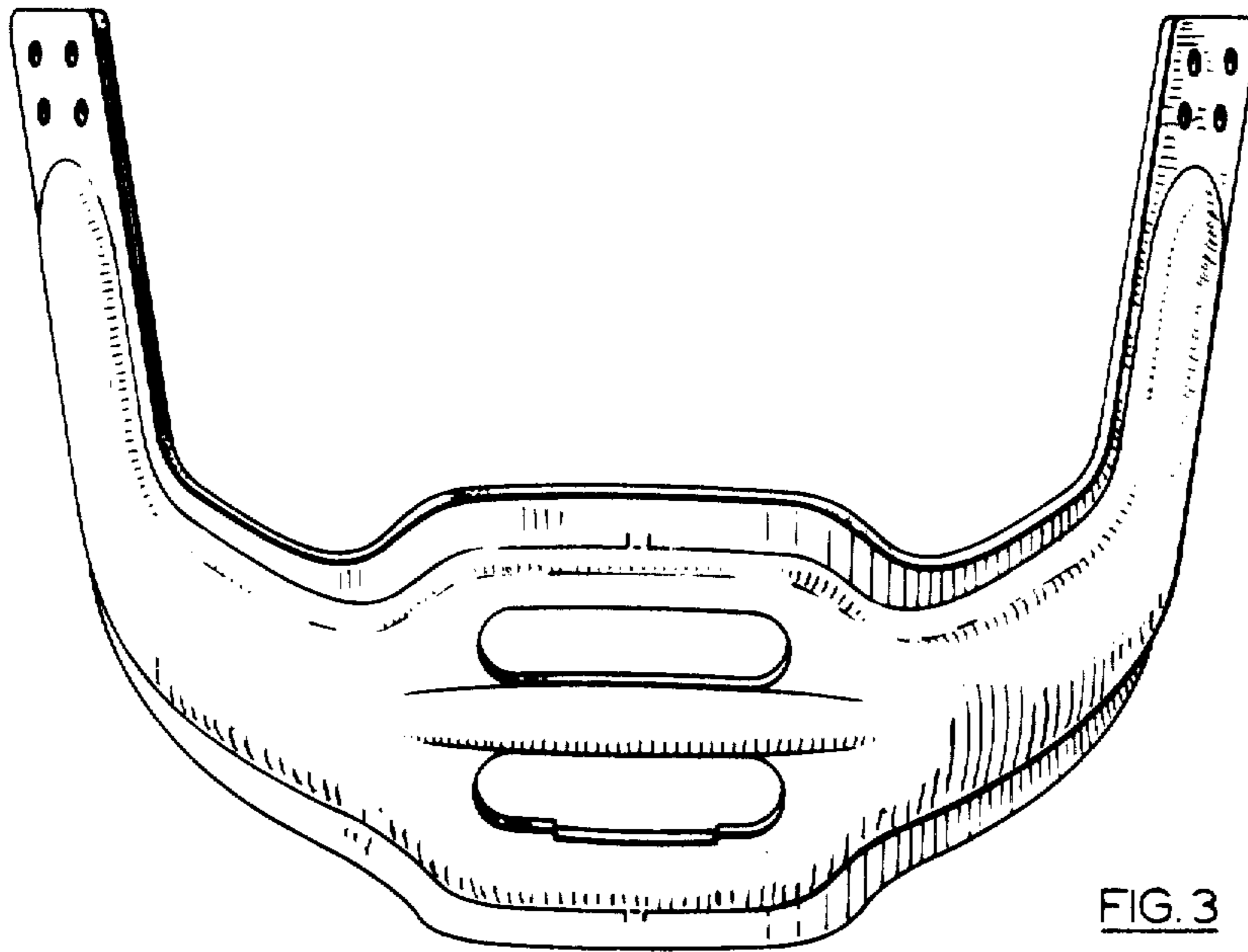


FIG. 3

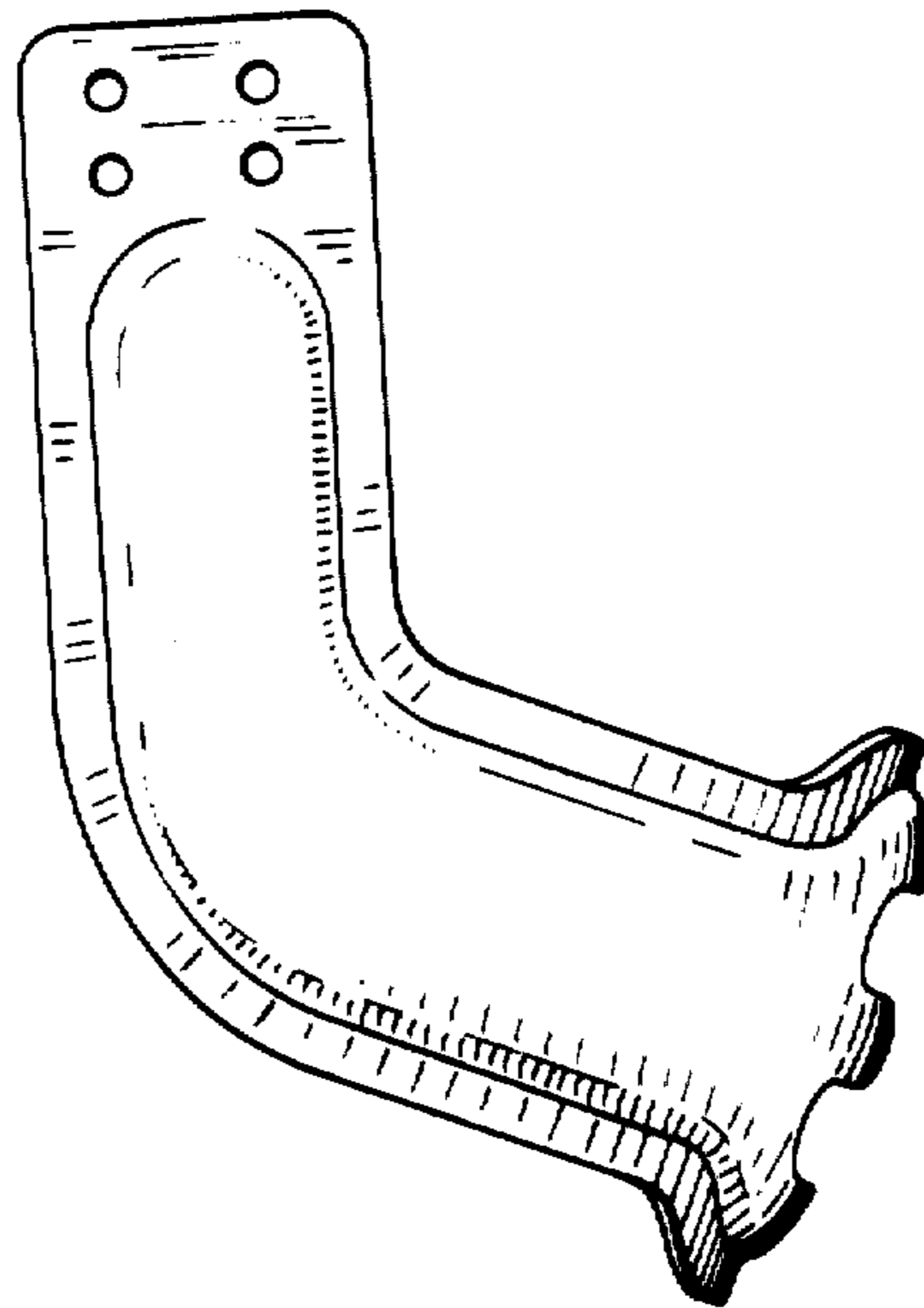


FIG. 4

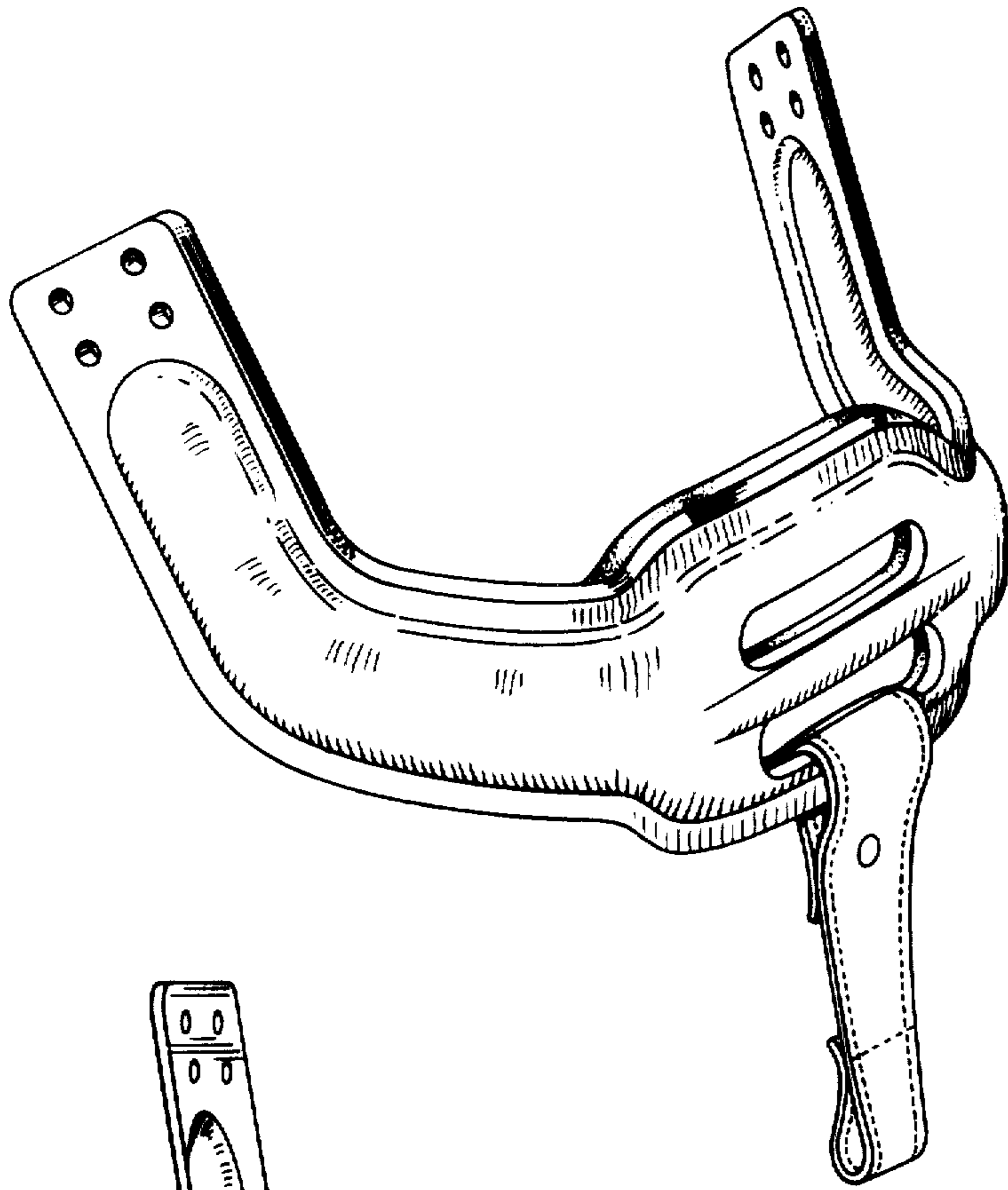


FIG. 5

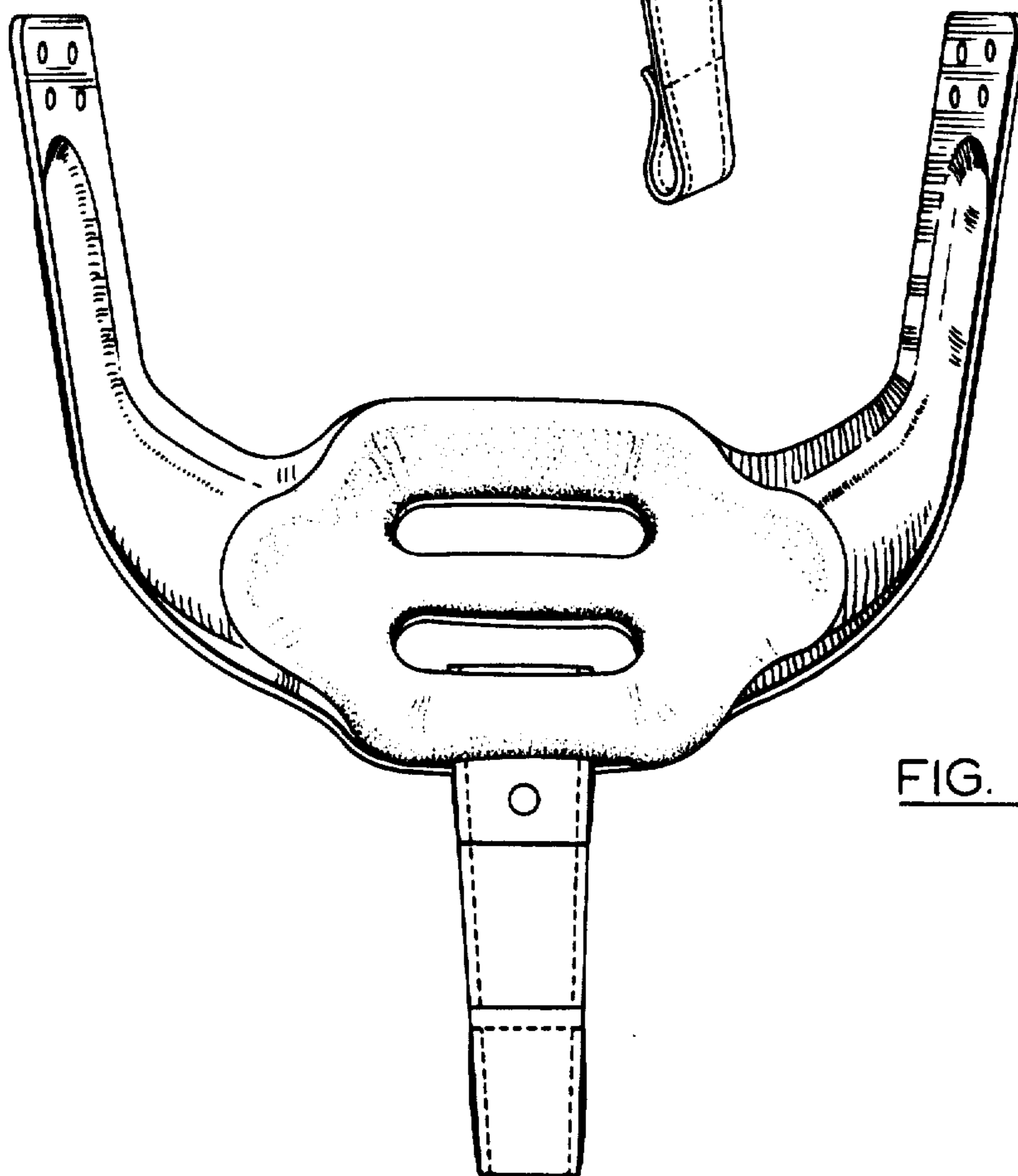


FIG. 6

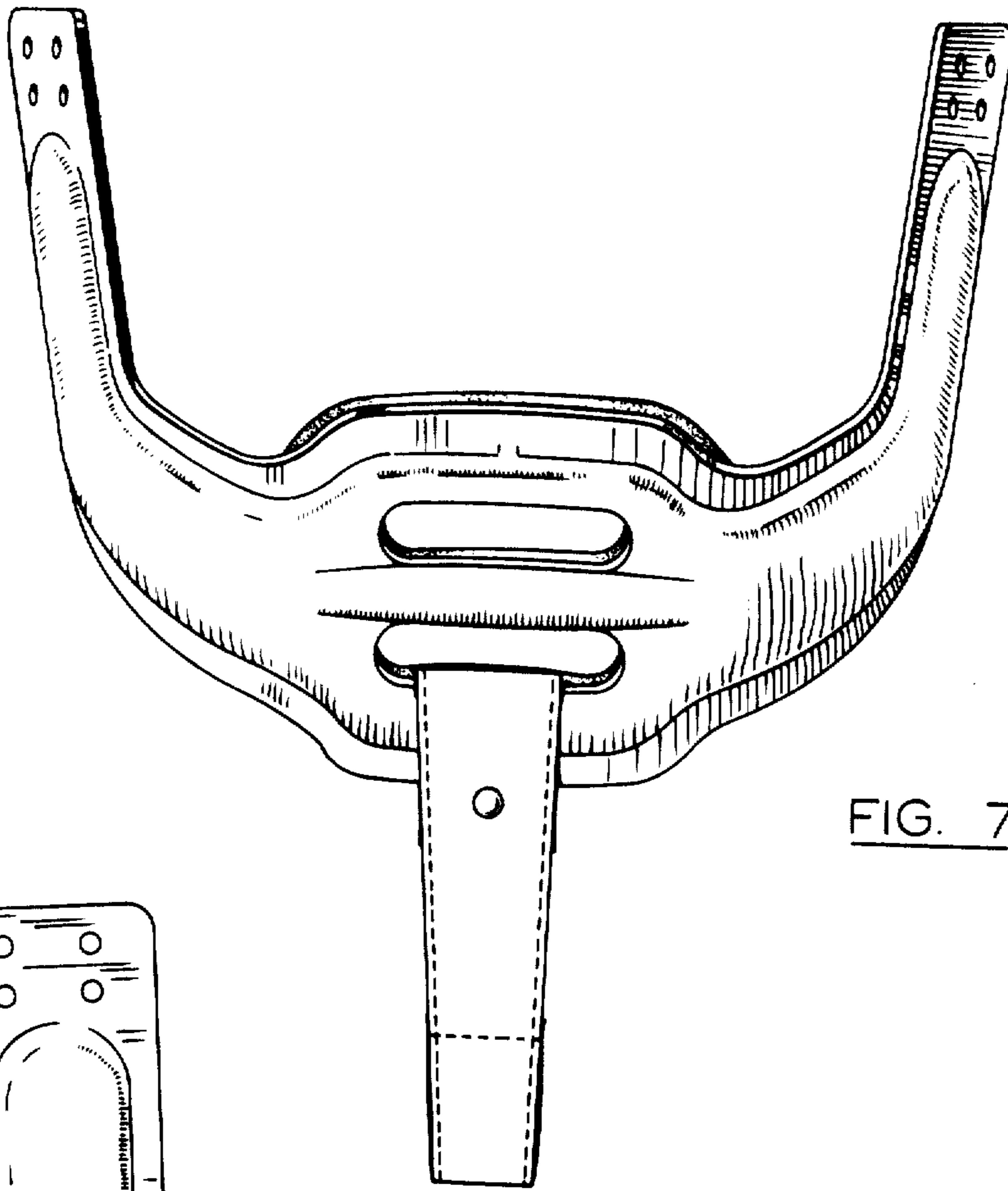


FIG. 7

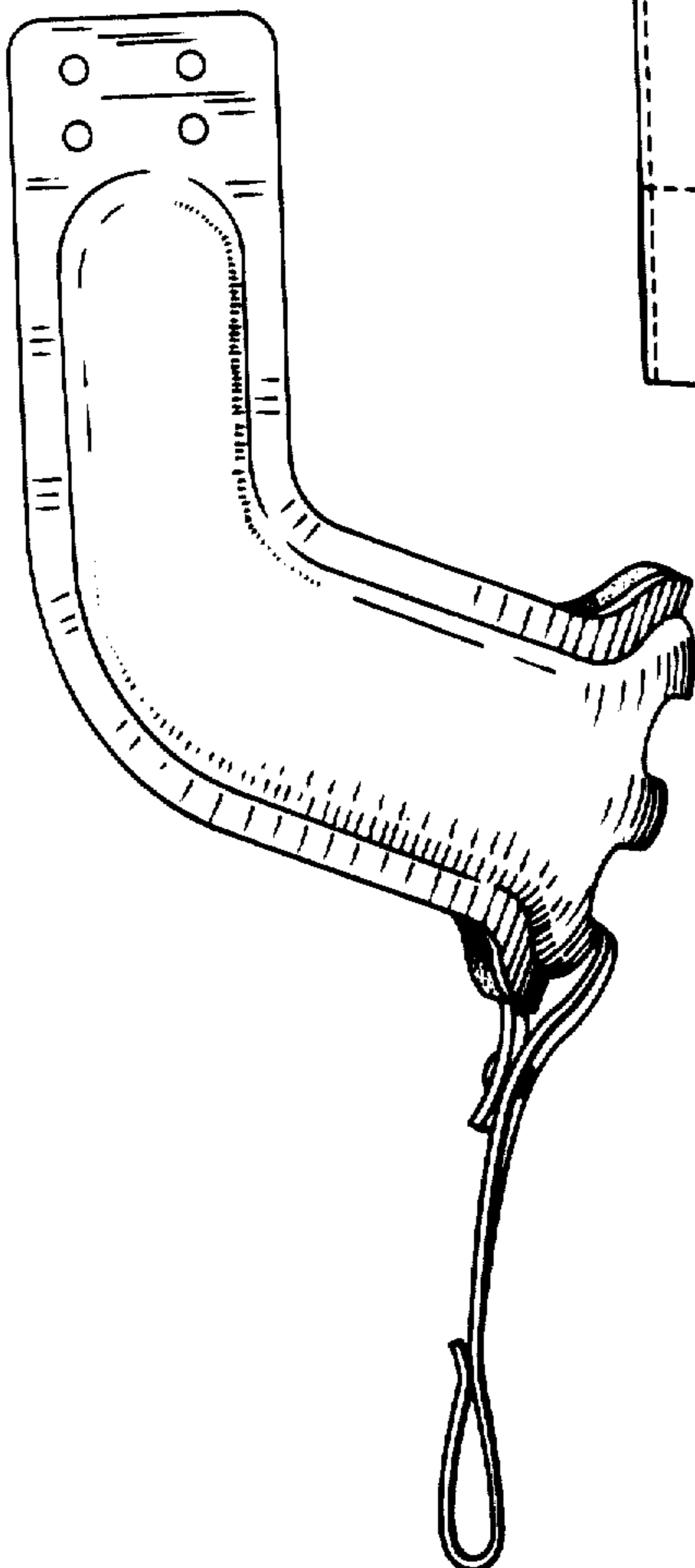


FIG. 8