

[54] DISPLAY CASE FOR OCTAGONAL COINS

[76] Inventor: Edmund Schnitzer, 5661 Edgemore, Cote St. Luc, Montreal, Quebec, Canada

[**] Term: 3½ Years

[21] Appl. No.: 556,274

[22] Filed: Mar. 7, 1975

[51] Int. Cl. D3-02

[52] U.S. Cl. D87/3 B

[58] Field of Search D87/1 R, 1 B, 1 C, 1 D, D87/5 E; D6/85, 200, 201, 188-189; 206/387-396, .8-.84, 75-76, 45.14; D9/230-239

[56] References Cited

U.S. PATENT DOCUMENTS

3,333,680	8/1967	Segel	206/83
D. 163,109	5/1951	Flynn	D87/1 C
D. 203,887	2/1966	Braun	D87/1 C
D. 223,064	3/1972	Peterson	D6/85

D. 233,374 10/1974 Heeren D87/1 D

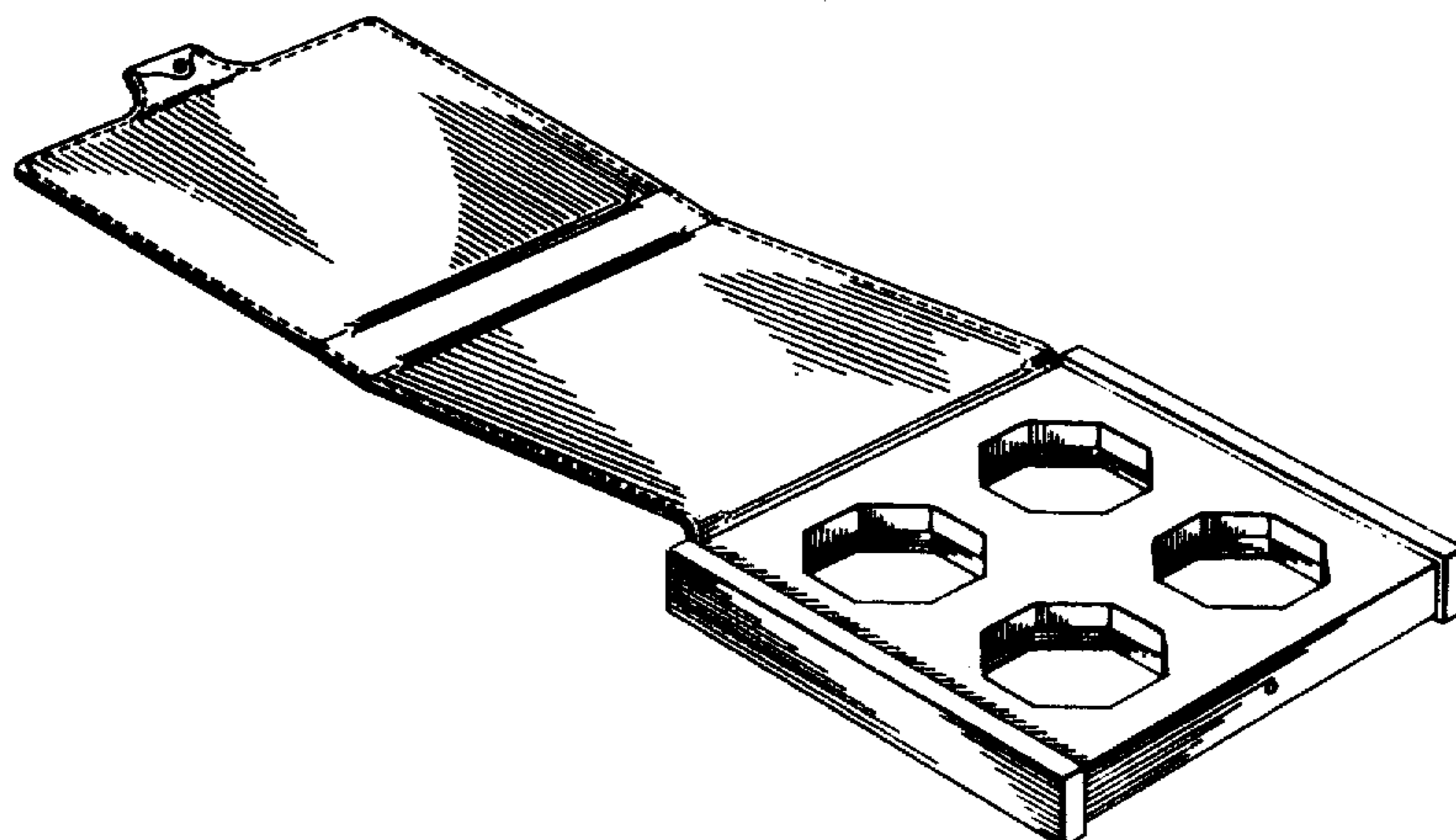
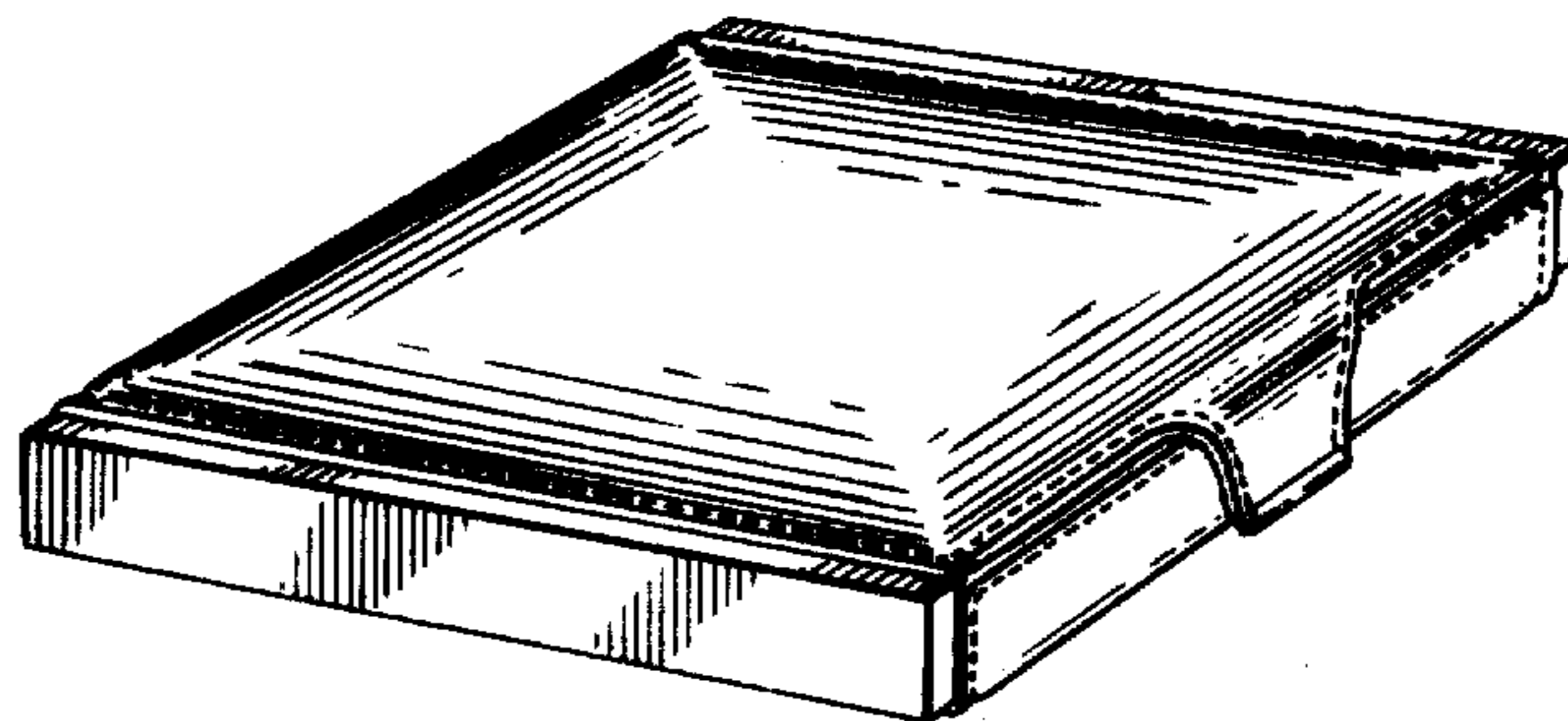
Primary Examiner—Joel Stearman
Assistant Examiner—George P. Word
Attorney, Agent, or Firm—Guy J. Houle

[57] CLAIM

The ornamental design for a display case for octagonal coins, as shown and described.

DESCRIPTION

FIG. 1 is a perspective view of a display case for octagonal coins showing my new design; FIG. 2 is a front elevational view; FIG. 3 is a left side elevational view; FIG. 4 is a top plan view; FIG. 5 is a bottom plan view; FIG. 6 is a perspective view of the display case for octagonal coins with one of the flaps shown in an open position; and FIG. 7 is a perspective view of the display case with both flaps in an open position.



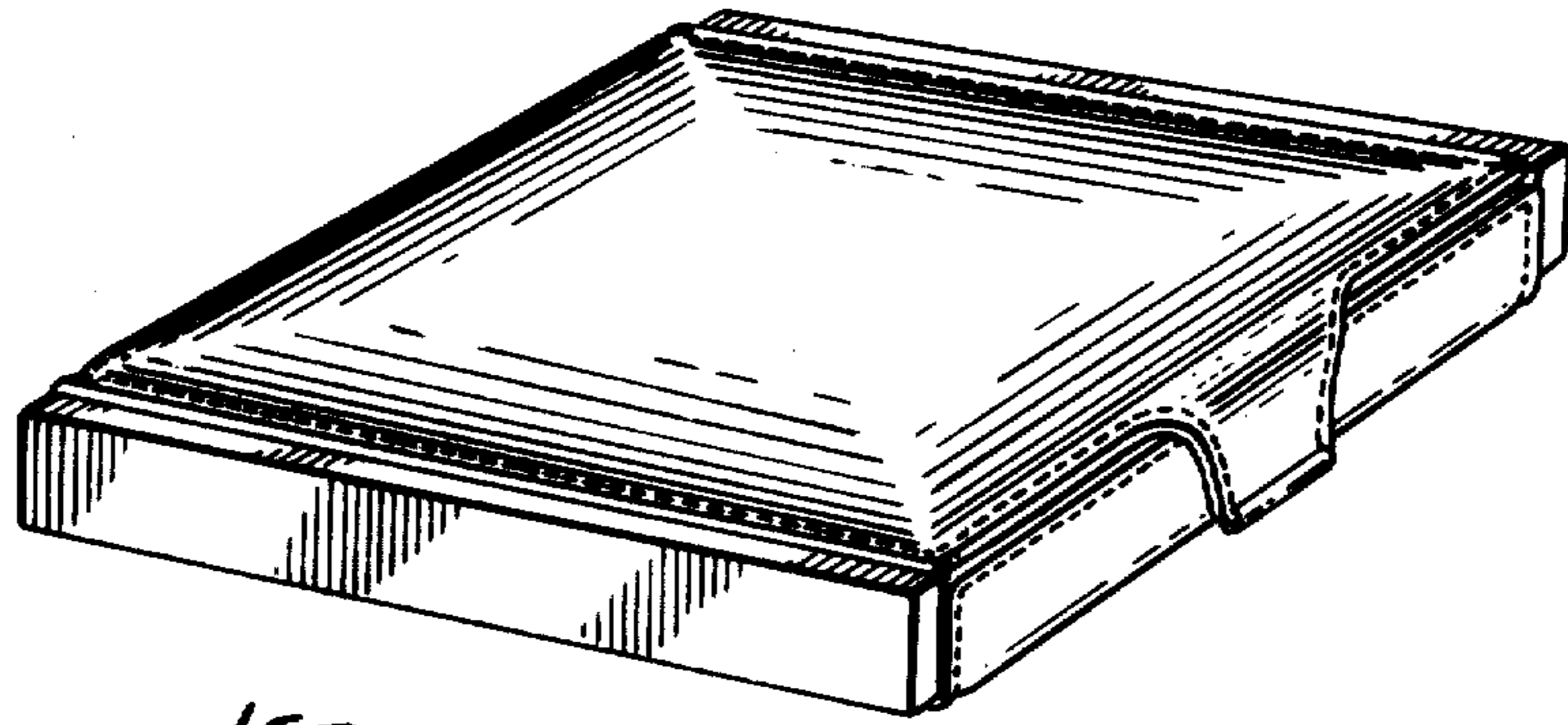


Fig. 1



Fig. 2



Fig. 3

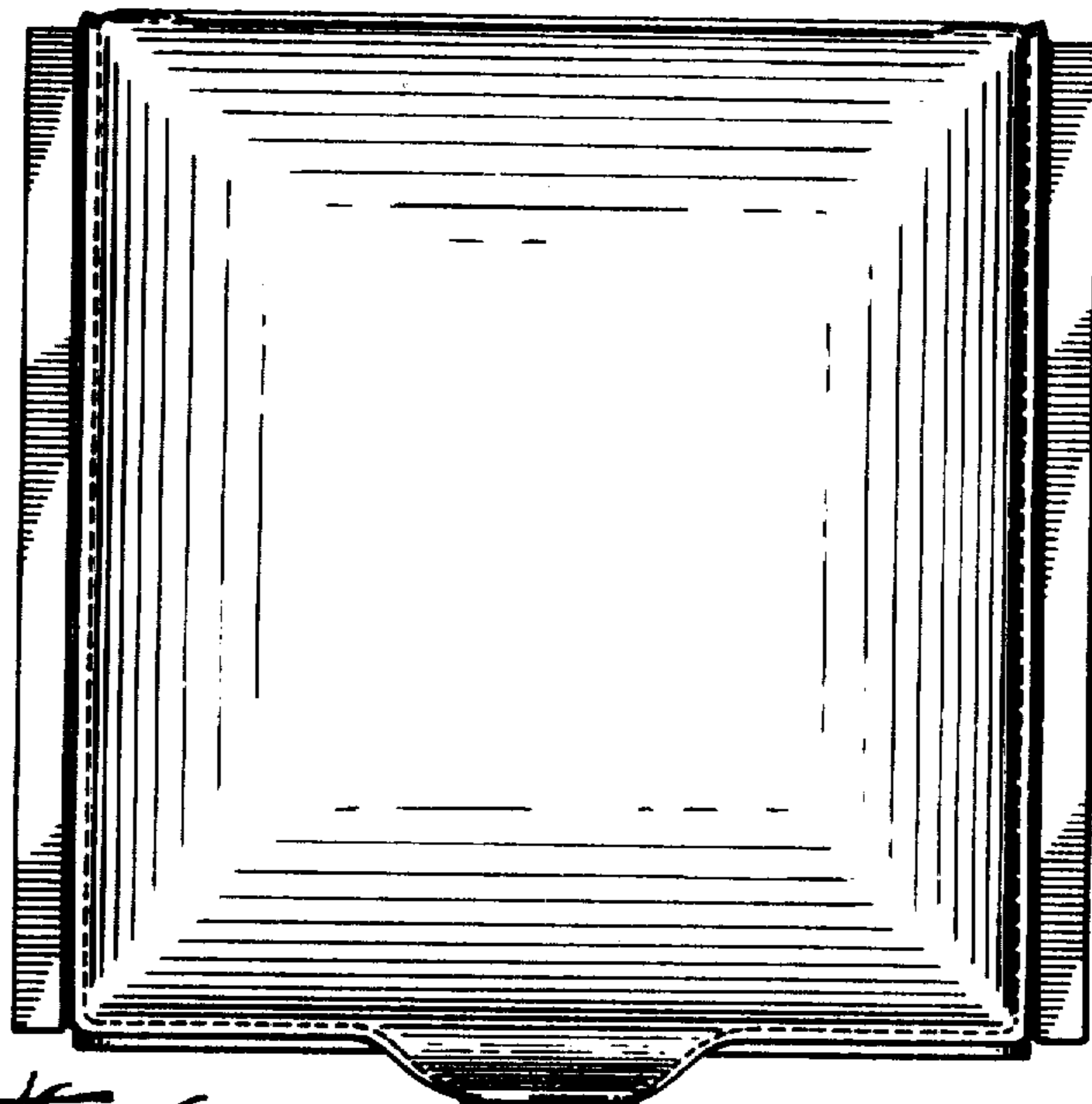


Fig. 4

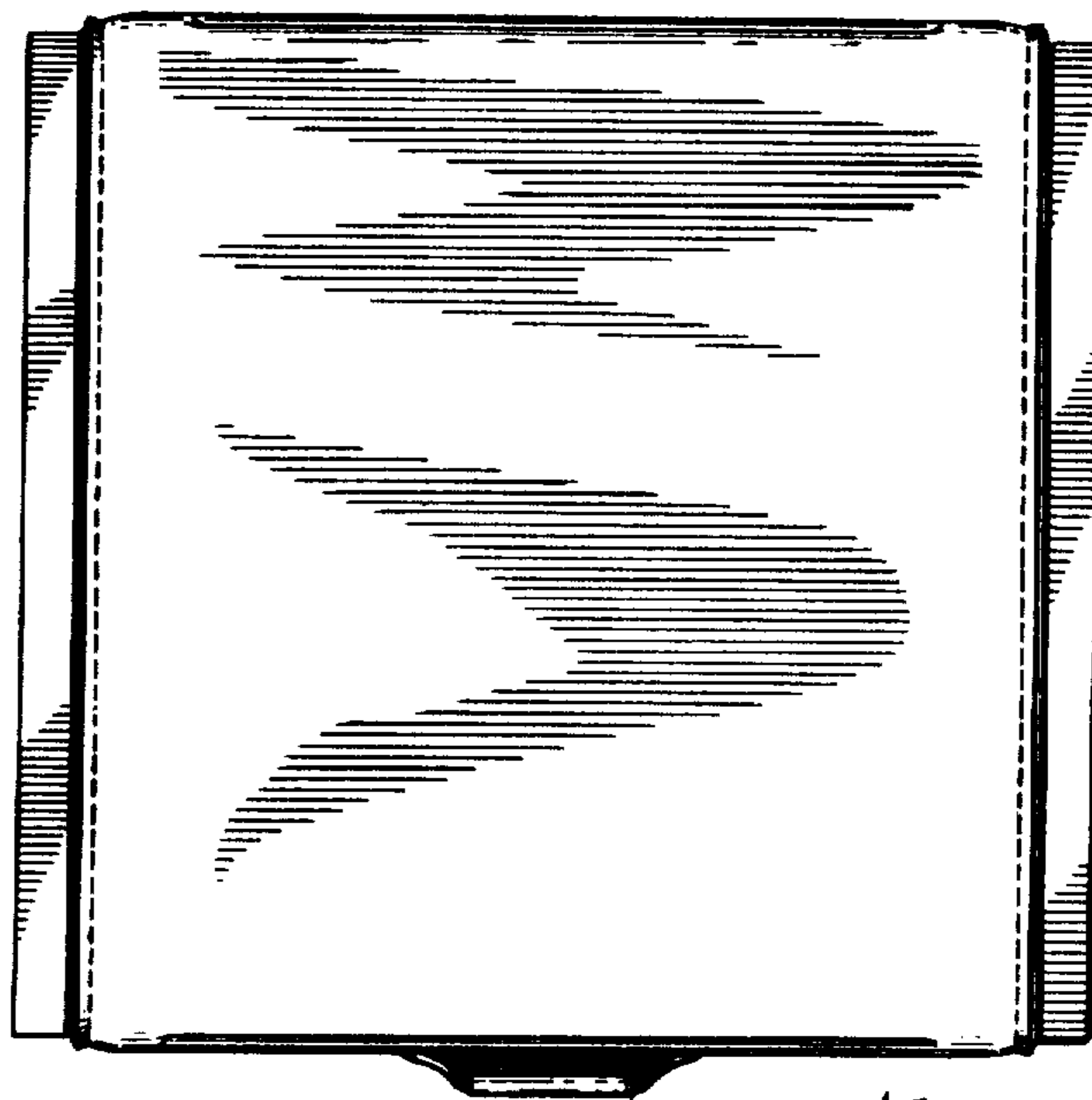


Fig. 5

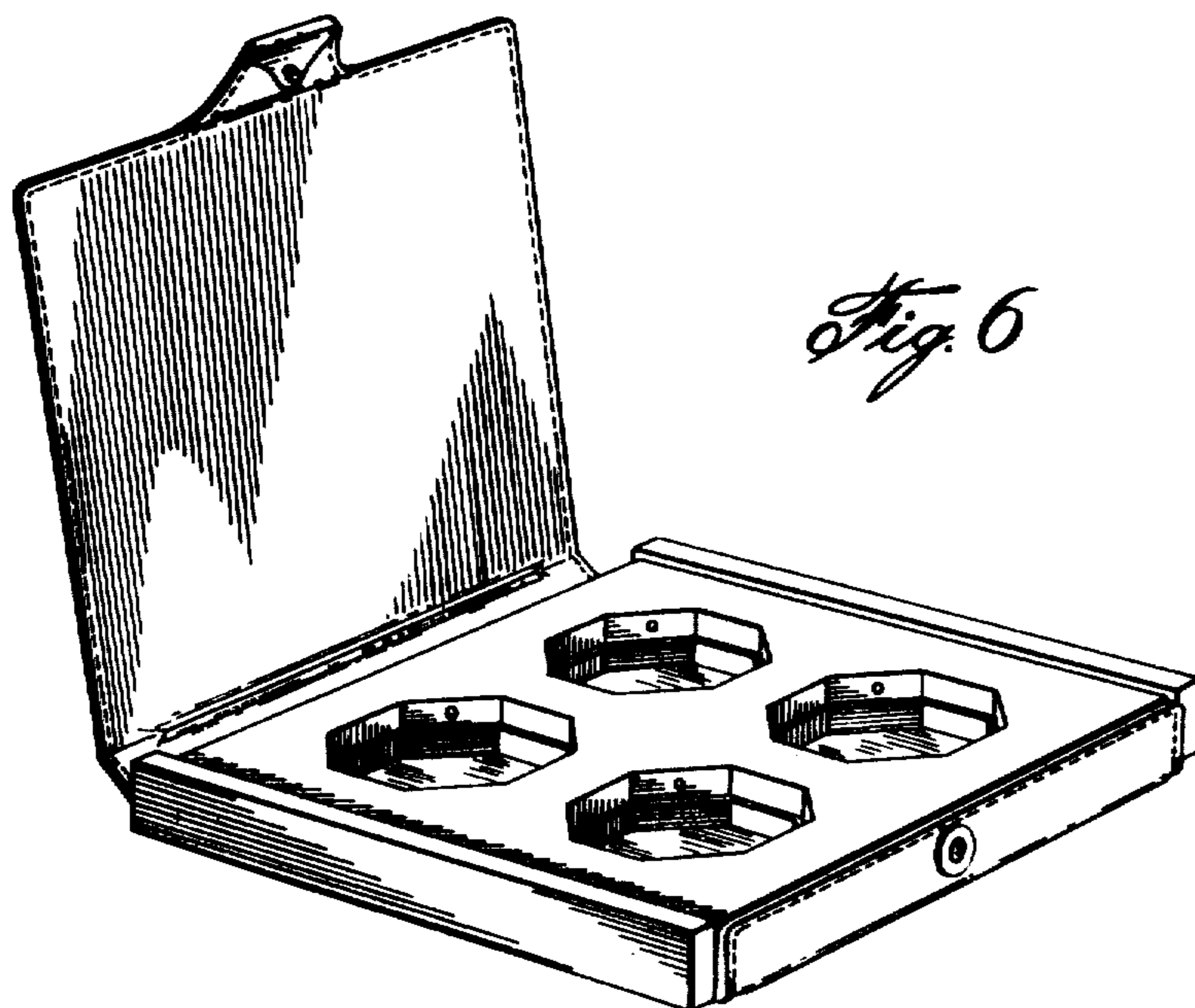


Fig. 6

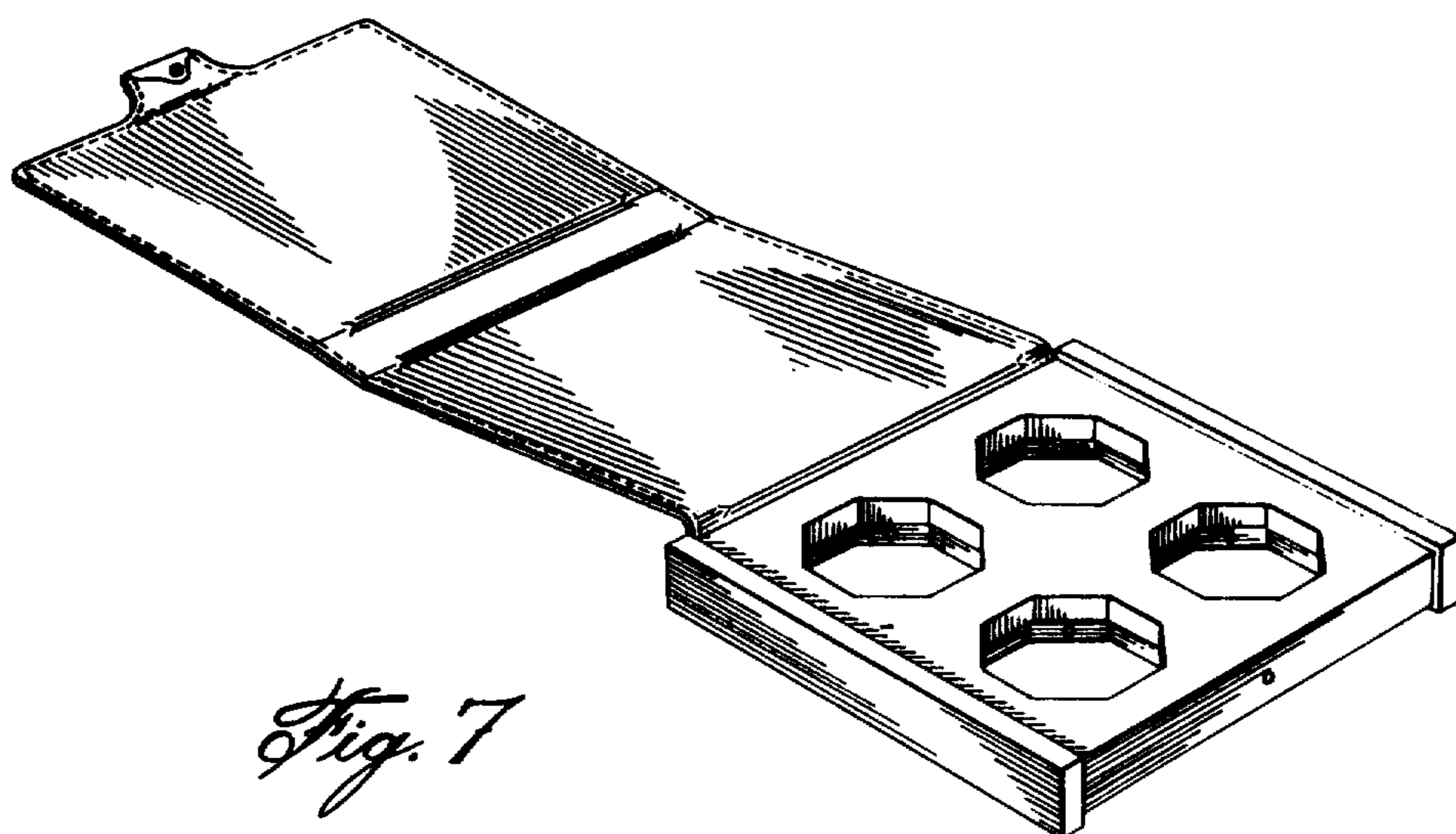


Fig. 7