

[54] **COMBINED LIPSTICK HOLDER AND MIRROR**

[76] Inventor: **William Horowitz**, 243-20 72nd Ave., Douglaston, N.Y. 11363

[**] Term: **14 Years**

[21] Appl. No.: **585,982**

[22] Filed: **June 11, 1975**

[51] Int. Cl. **D28-03**

[52] U.S. Cl. **D86/10 G**

[58] **Field of Search** D86/10 A, 10 G, 10 H, D86/10 N; D12/188; D6/232, 233, 241; D9/230, 231, 235, 237, 240; 132/79 R, 79 C, 79 F, 79 G, 82 R, 82 A, 83 R, 83 B; 206/235, 385, 823; 240/6.45 R

[56] **References Cited**

U.S. PATENT DOCUMENTS

3,380,573 4/1968 Gulotta D9/235

D. 96,886 9/1935 Ball D86/10 G
D. 201,922 8/1965 Harris et al. D9/235

OTHER PUBLICATIONS

Harper's Bazaar, July 1972, p. 37 - Compact.

Primary Examiner—Joel Stearman

Assistant Examiner—Louis S. Zarfes

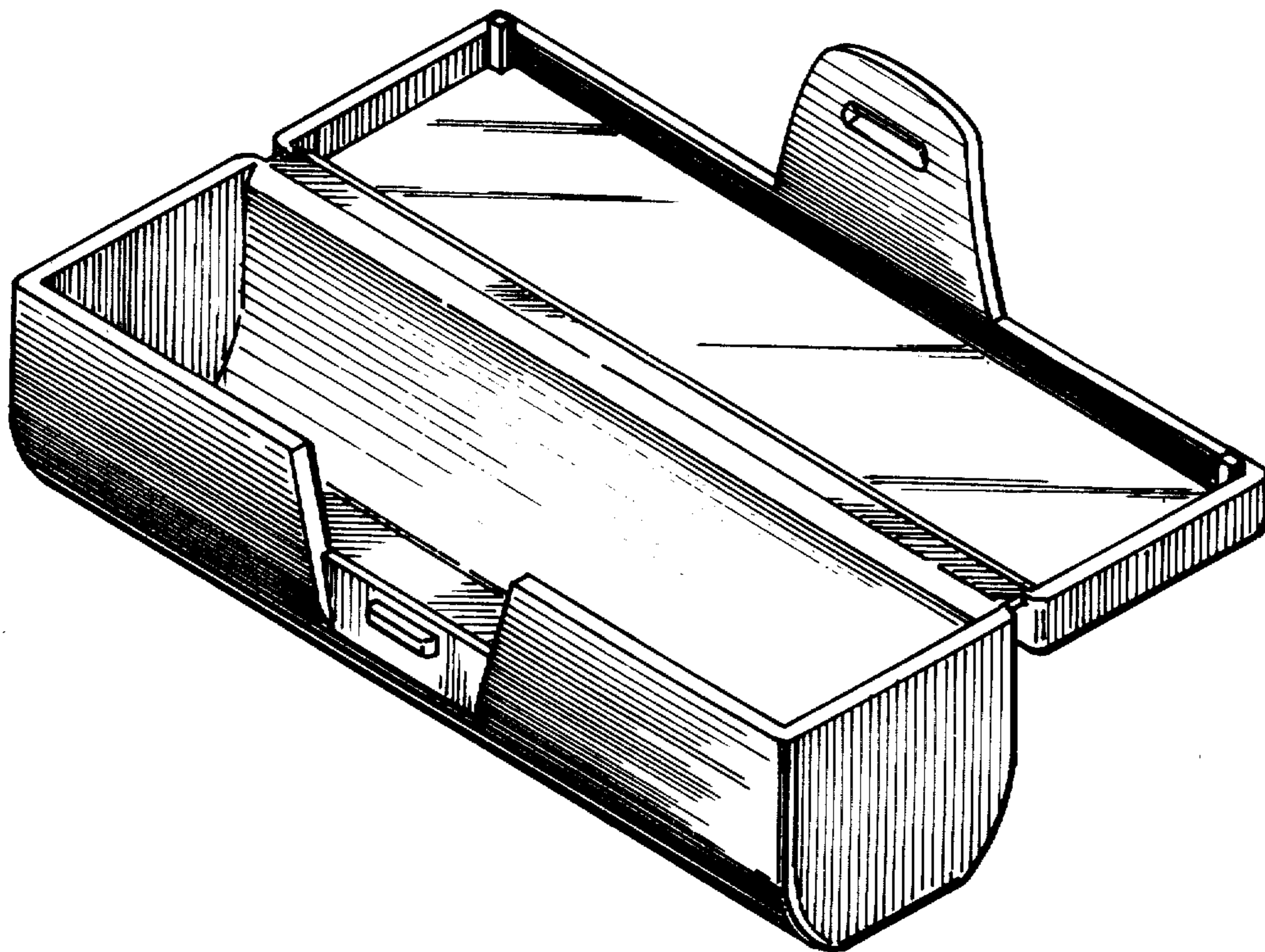
Attorney, Agent, or Firm—Allison C. Collard

[57] **CLAIM**

The ornamental design for a combined lipstick holder and mirror, substantially as shown and described.

DESCRIPTION

FIG. 1 is a perspective view of a combined lipstick holder and mirror showing my new design; FIG. 2 is a bottom plan view thereof; and FIG. 3 is a left end elevational view thereof.



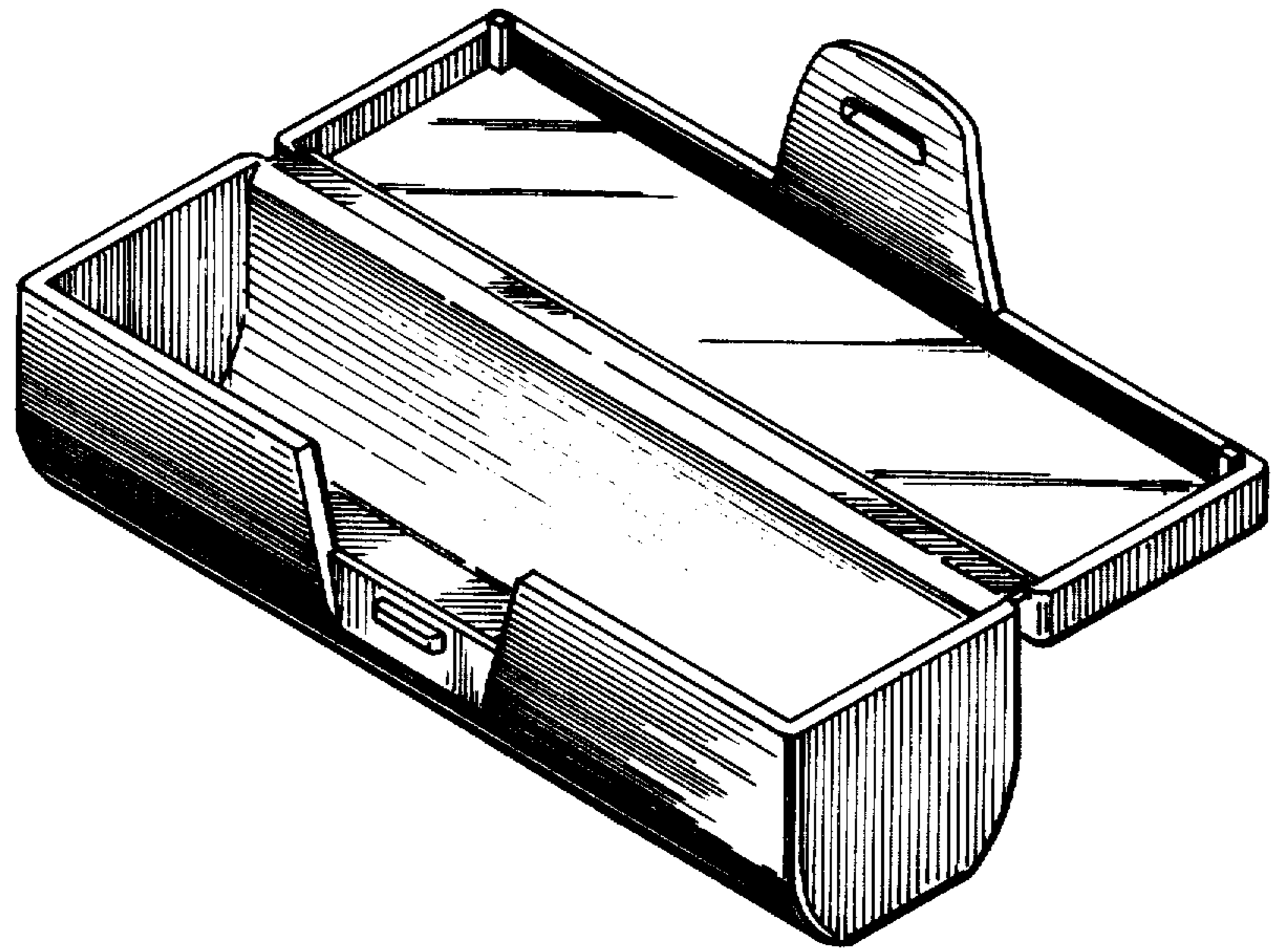


Fig. 1.

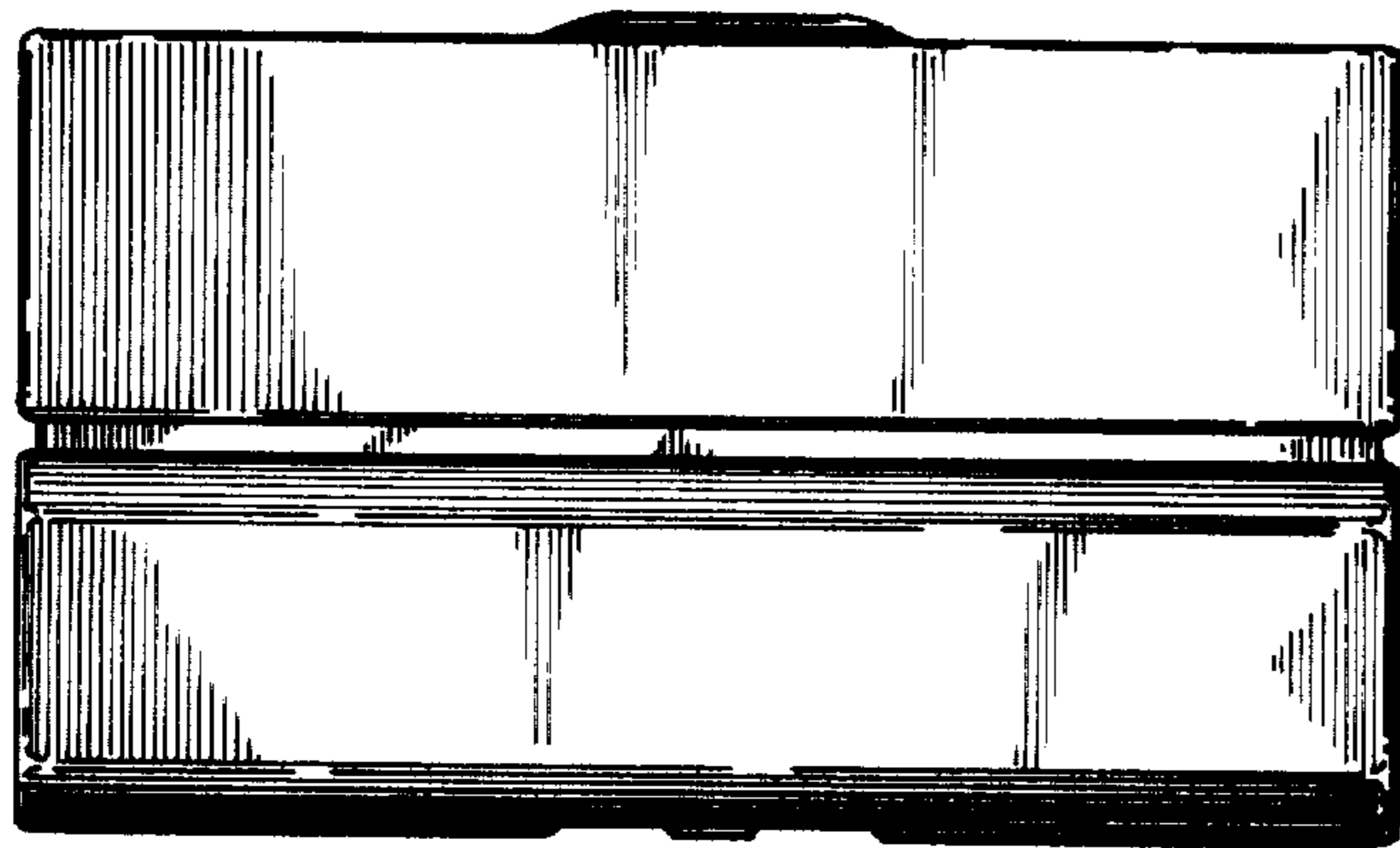


Fig. 2.

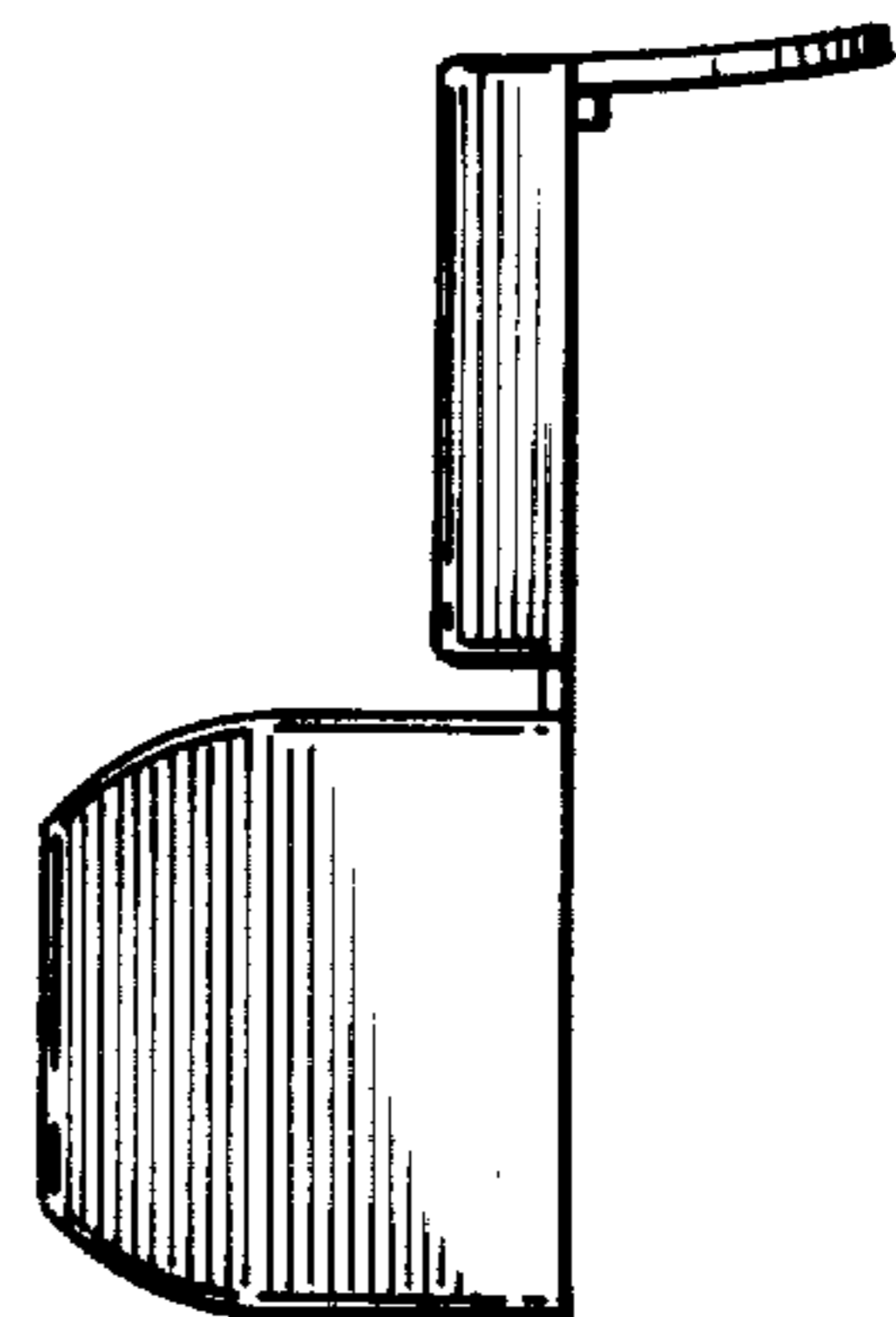


Fig. 3.