

[54] **DEVICE FOR CUTTING PICTURE FRAME MAT BOARDS**

[75] Inventor: **Eugene T. Green, Maitland, Fla.**

[73] Assignee: **Gene Green Associates, Inc., Maitland, Fla.**

[**] Term: **14 Years**

[21] Appl. No.: **582,073**

[22] Filed: **May 30, 1975**

[51] Int. CL **D15-09**

[52] U.S. CL **D15/127**

[58] Field of Search **D55/1 A; D8/98; 83/529, 83/527, 524**

[56] **References Cited**

U.S. PATENT DOCUMENTS

3,130,622 4/1964 Eno 83/529
D. 237,824 11/1975 Pagander D55/1 A

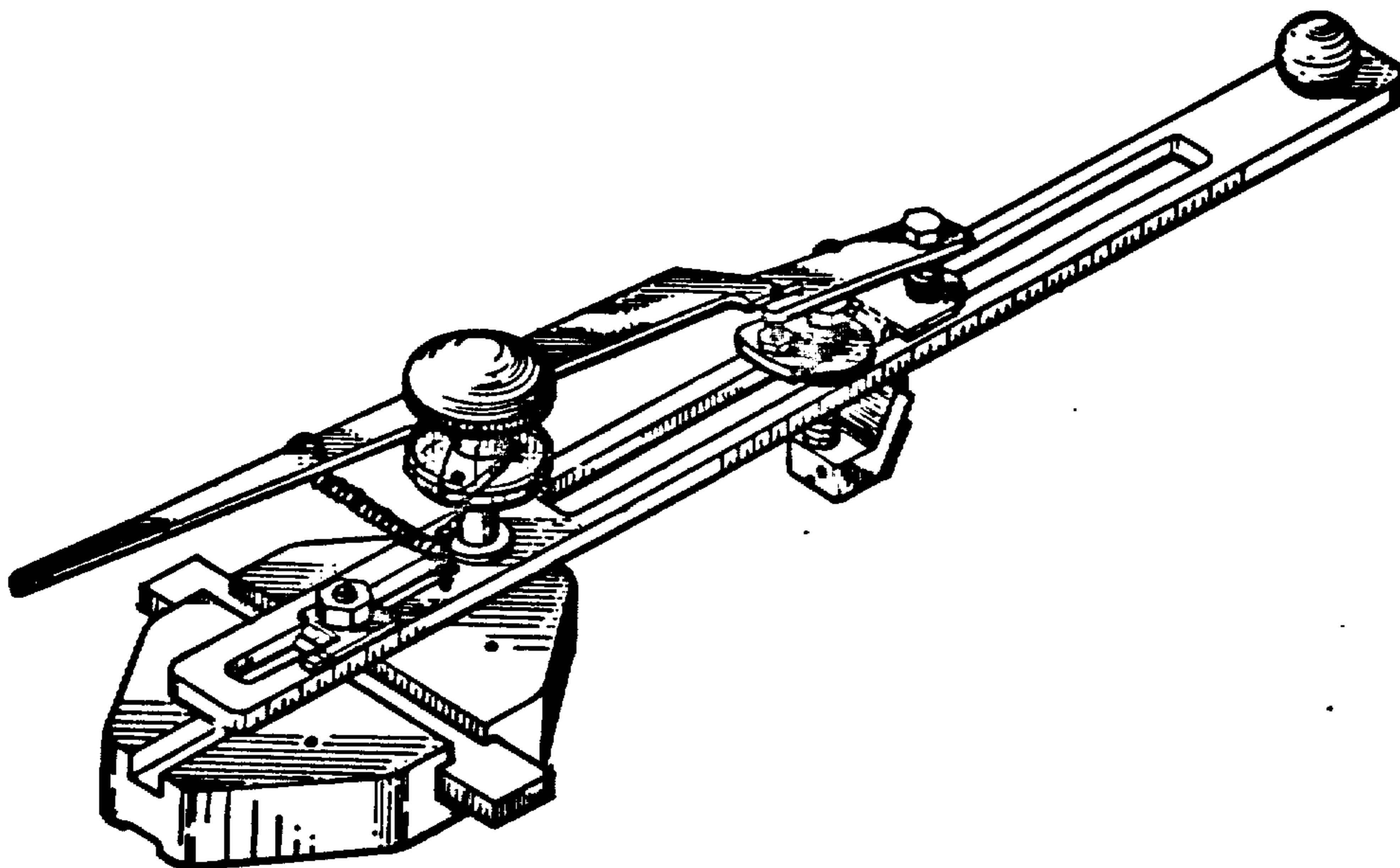
*Primary Examiner—Alan P. Douglas
Attorney, Agent, or Firm—Channing L. Richards*

[57] **CLAIM**

The ornamental design for a device for cutting picture frame mat boards, as shown.

DESCRIPTION

FIG. 1 is a perspective view of a device for cutting picture frame mat boards illustrating my new design; FIG. 2 is a right side elevational view of the device for cutting picture frame mat boards shown in FIG. 1; FIG. 3 is a left side elevational view of the device for cutting picture frame mat boards shown in FIG. 1; FIG. 4 is a plan view of the device for cutting picture frame mat boards shown in FIG. 1; FIG. 5 is a bottom view of the device for cutting picture frame mat boards shown in FIG. 1; FIG. 6 is a front end view of the device for cutting picture frame mat boards shown in FIG. 1; and FIG. 7 is a rear end view of the device for cutting picture frame mat boards shown in FIG. 1.



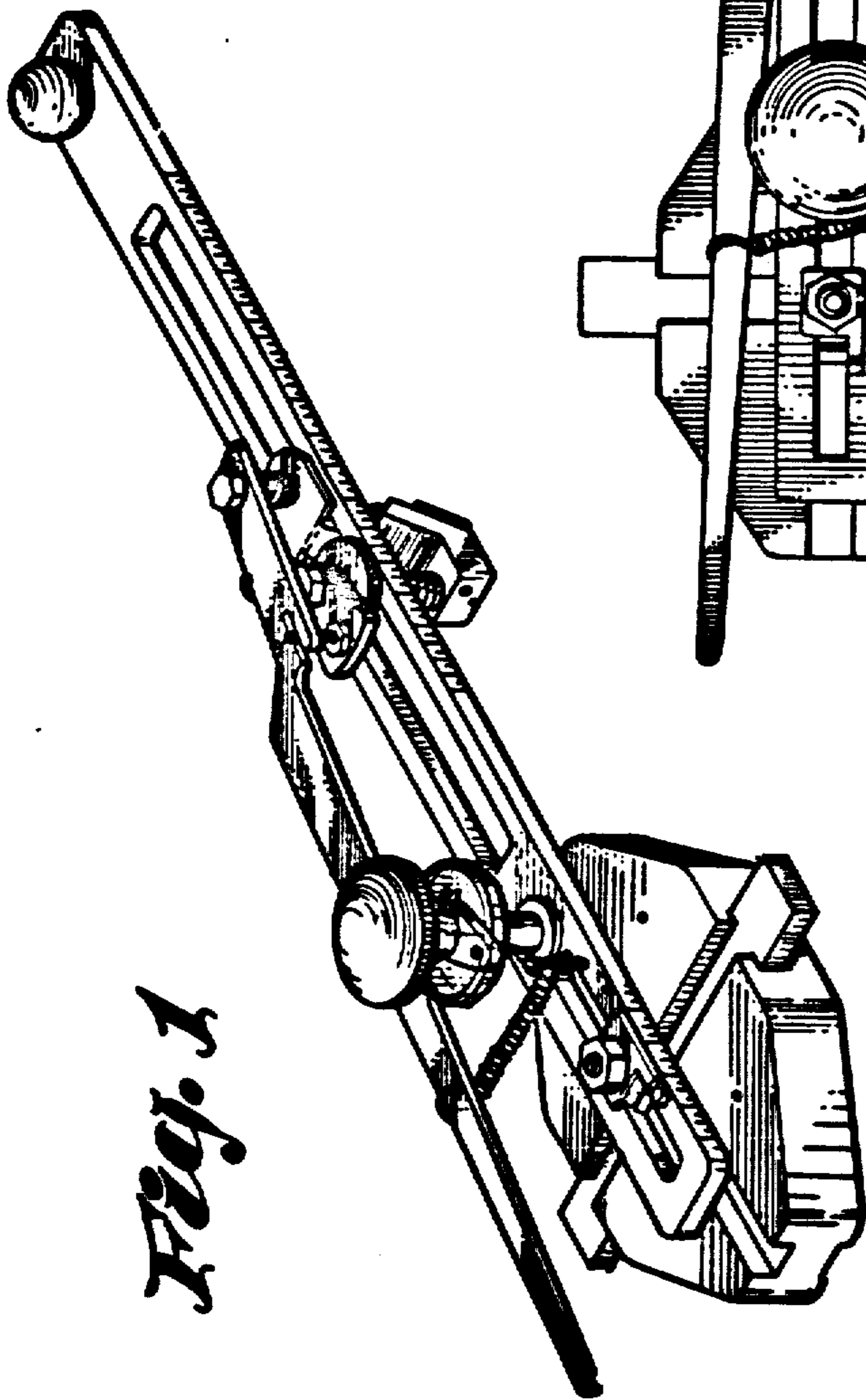


Fig. 4

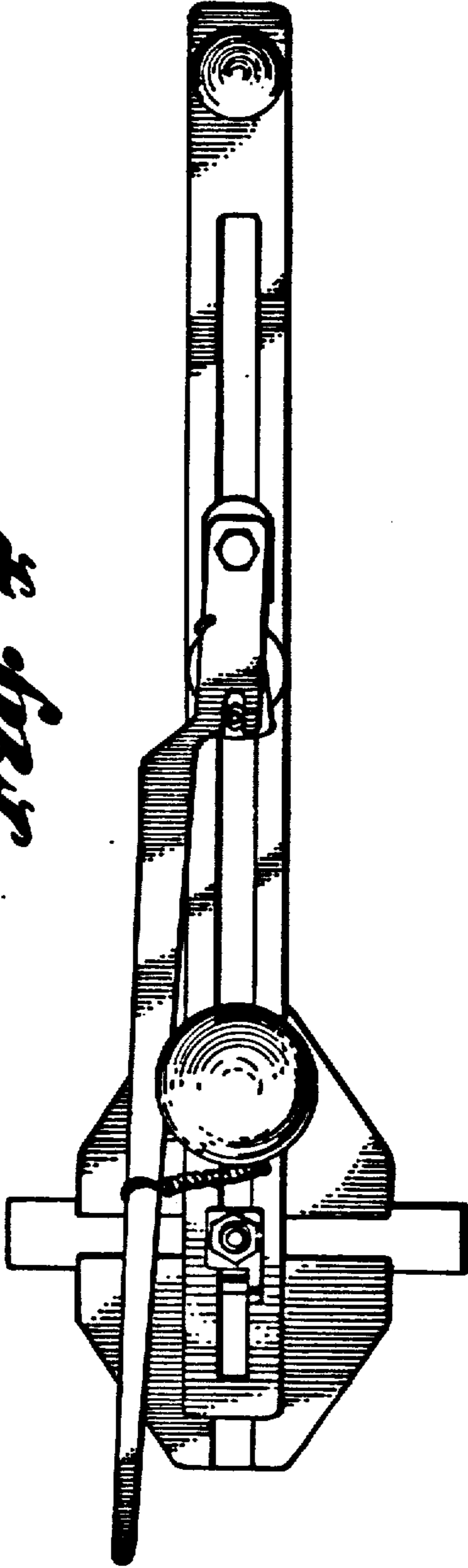


Fig. 2

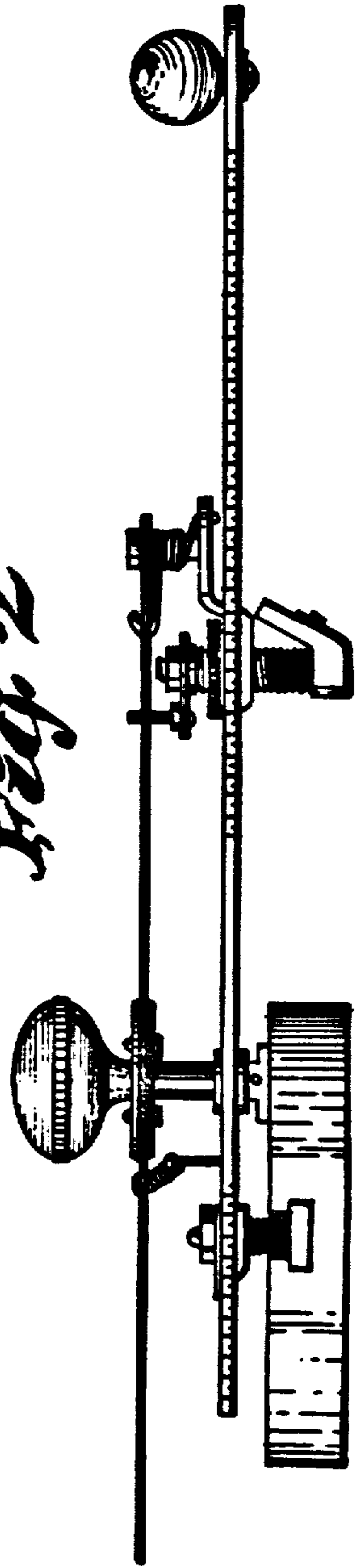


Fig. 3

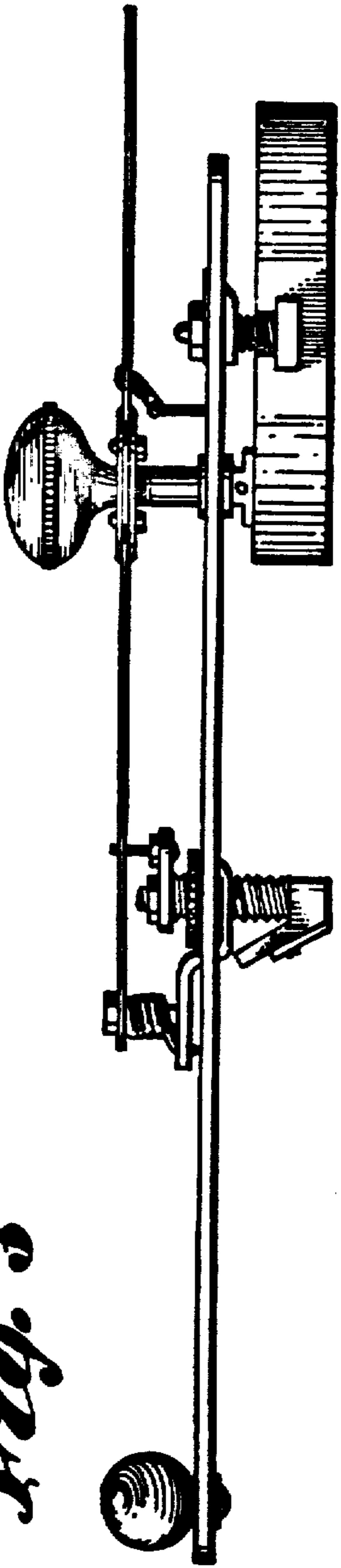


Fig. 5

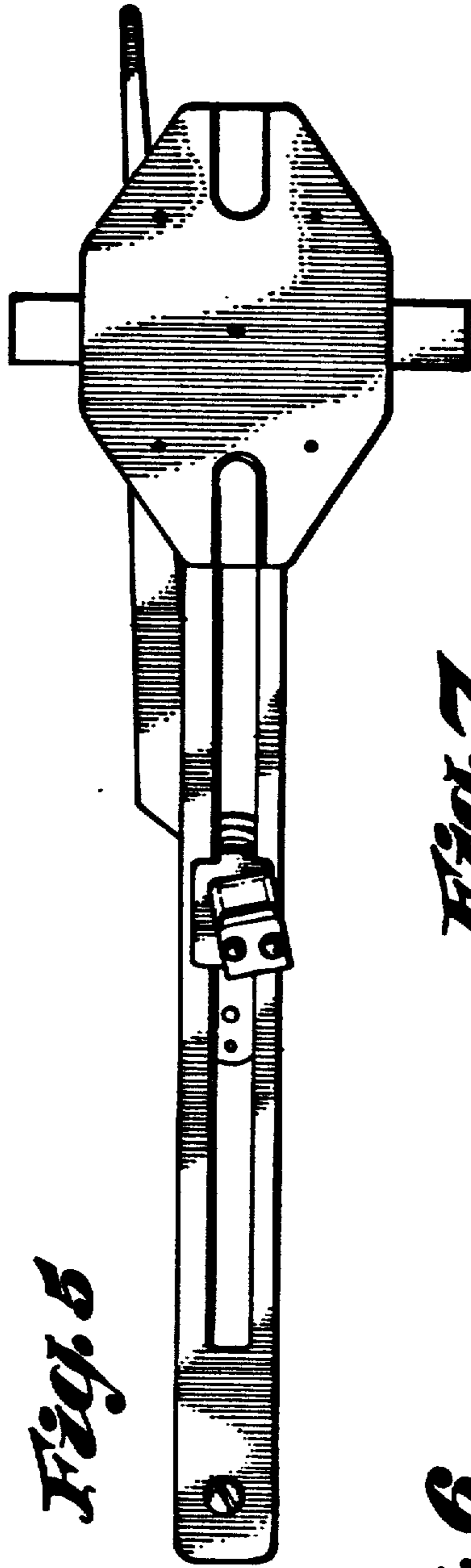


Fig. 6

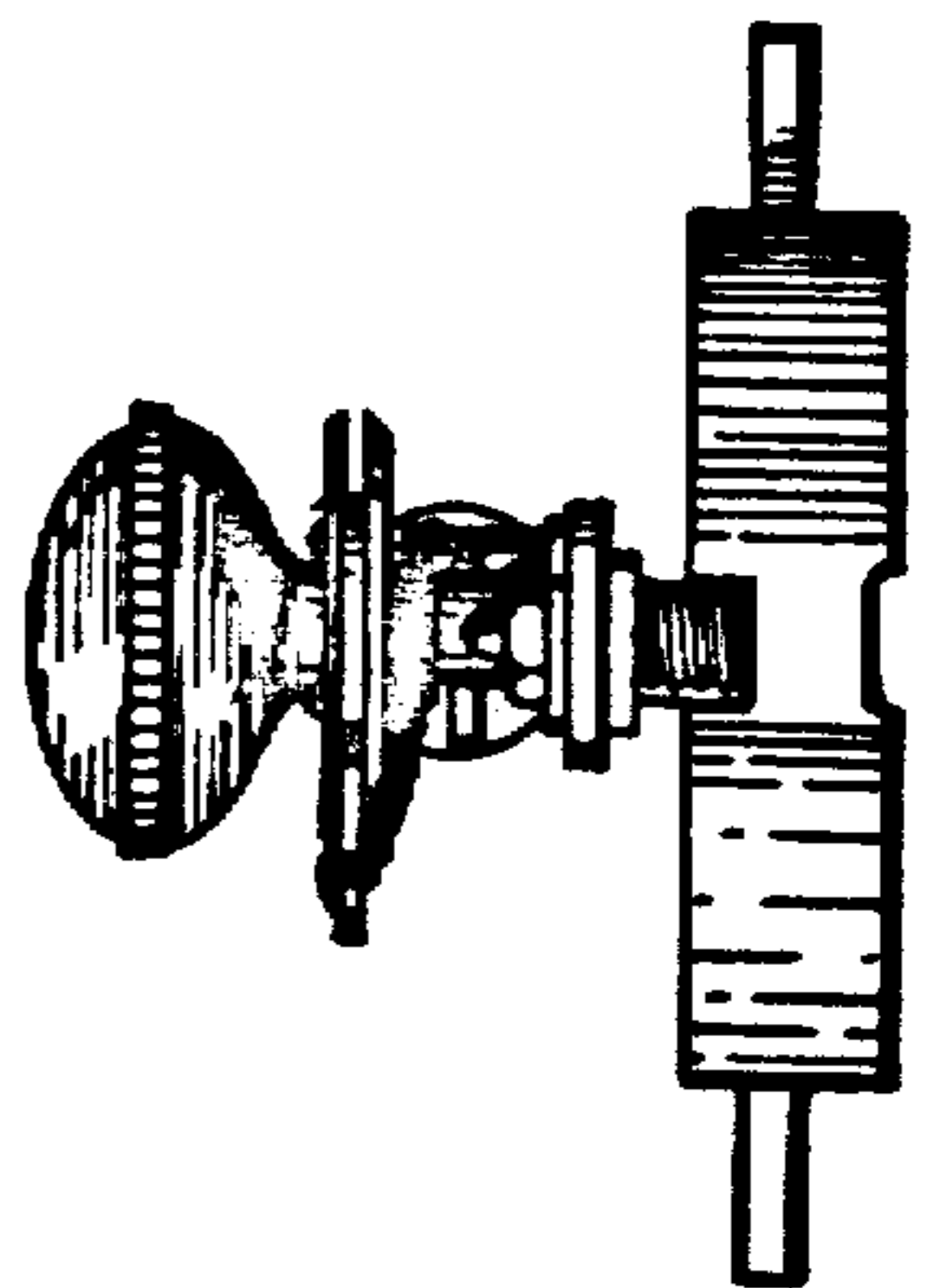


Fig. 7

