

[54] HOUSING FOR HORS D'OEUVRES OVEN

[76] Inventor: John M. Werling, 209 E. 36th St., Apt. No. 3, Kansas City, Mo. 64111

[**] Term: 14 Years

[21] Appl. No.: 552,442

[22] Filed: Feb. 24, 1975

[51] Int. Cl. D7-04; D15-08

[52] U.S. Cl. D15/104

[58] Field of Search D7/107-110; D55/1 E; 125/1 R, 25-29, 30, 9; 219/339, 385, 386, 391-393; D12/21, 22, 27

[56] References Cited

U.S. PATENT DOCUMENTS

D. 163,090	5/1951	Campbell	D7/108
D. 228,063	8/1973	Keeshin et al.	D12/27 X
D. 230,257	2/1974	Corini	D12/27
D. 238,300	12/1975	Klemm	D55/1 E

Primary Examiner—Wallace R. Burke
Assistant Examiner—Catherine Kemper
Attorney, Agent, or Firm—Claude A. Fishburn

[57] CLAIM

The ornamental design for a housing for hors d'oeuvres oven, as shown and described.

DESCRIPTION

FIG. 1 is a front elevational view of a housing for hors d'oeuvres oven showing my new design.

FIG. 2 is a rear elevational view thereof.

FIG. 3 is a side elevational view of one side thereof.

FIG. 4 is a side elevational view of the other side thereof.

FIG. 5 is a top plan view thereof.

FIG. 6 is a side elevational view thereof on a reduced scale similar to FIG. 3 except showing the cover in a partially open position.

FIG. 7 is a side elevational view thereof on a reduced scale showing the cover in a fully open position.

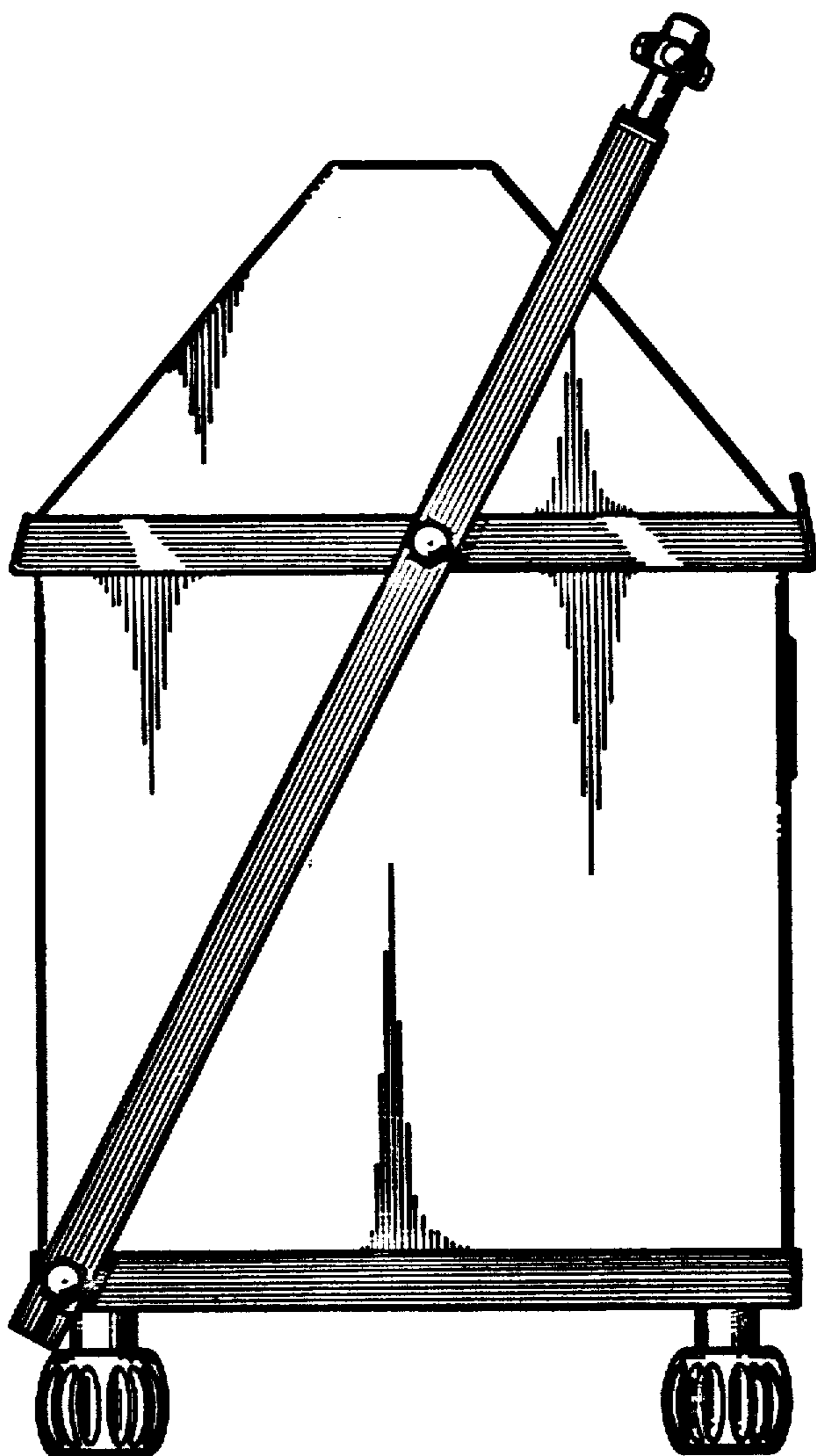


Fig. 1.

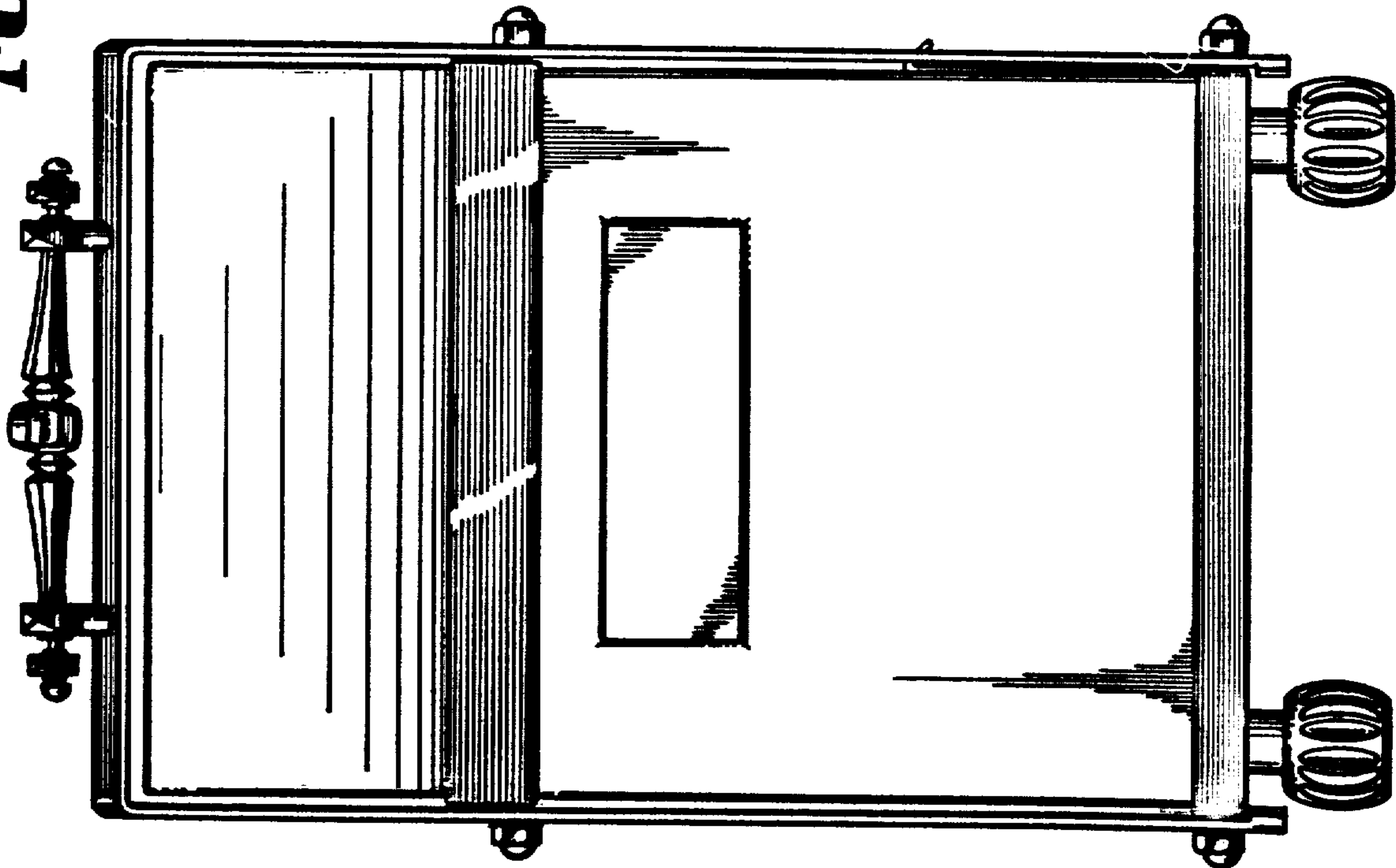


Fig. 3.

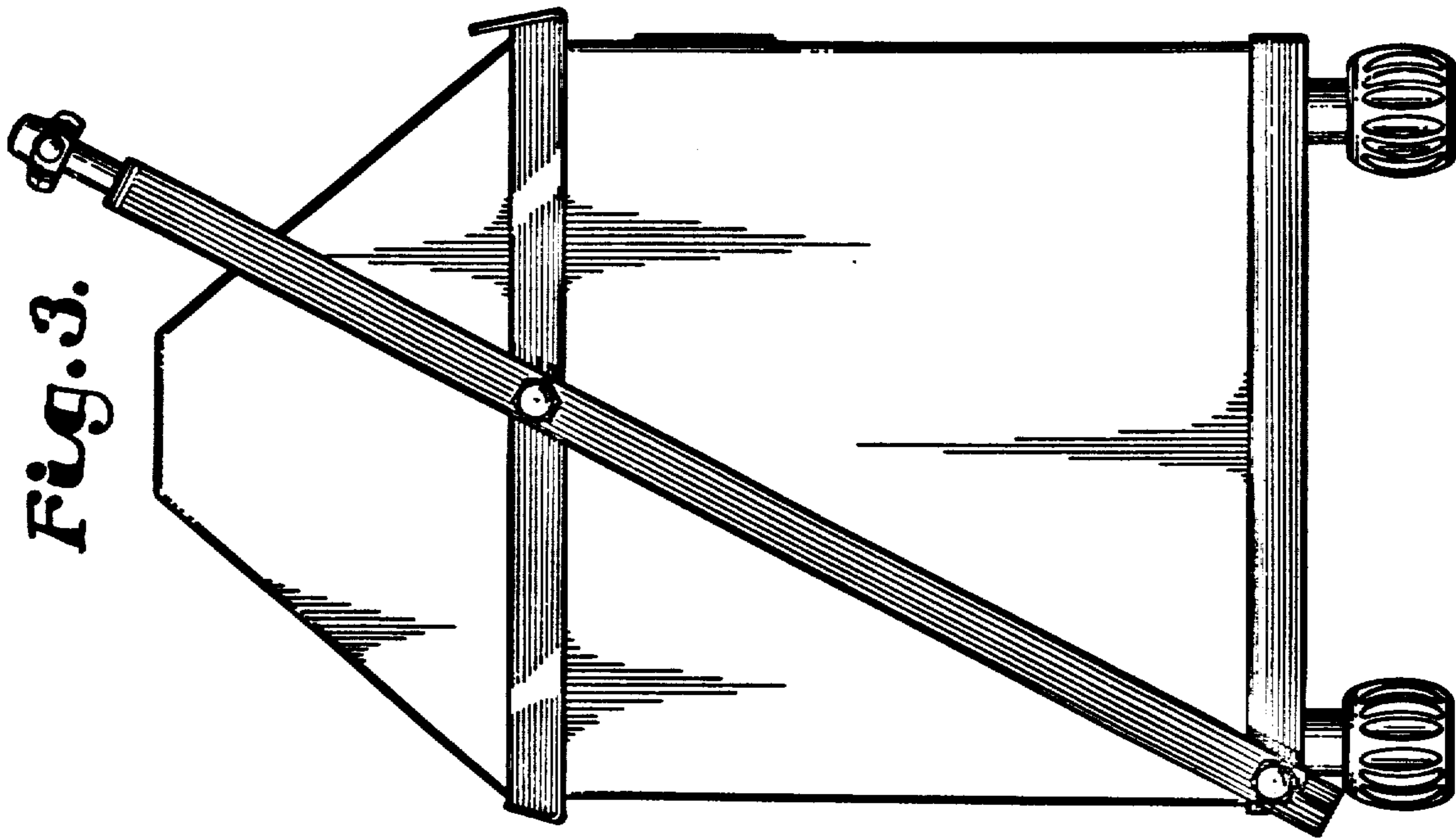


Fig. 4.

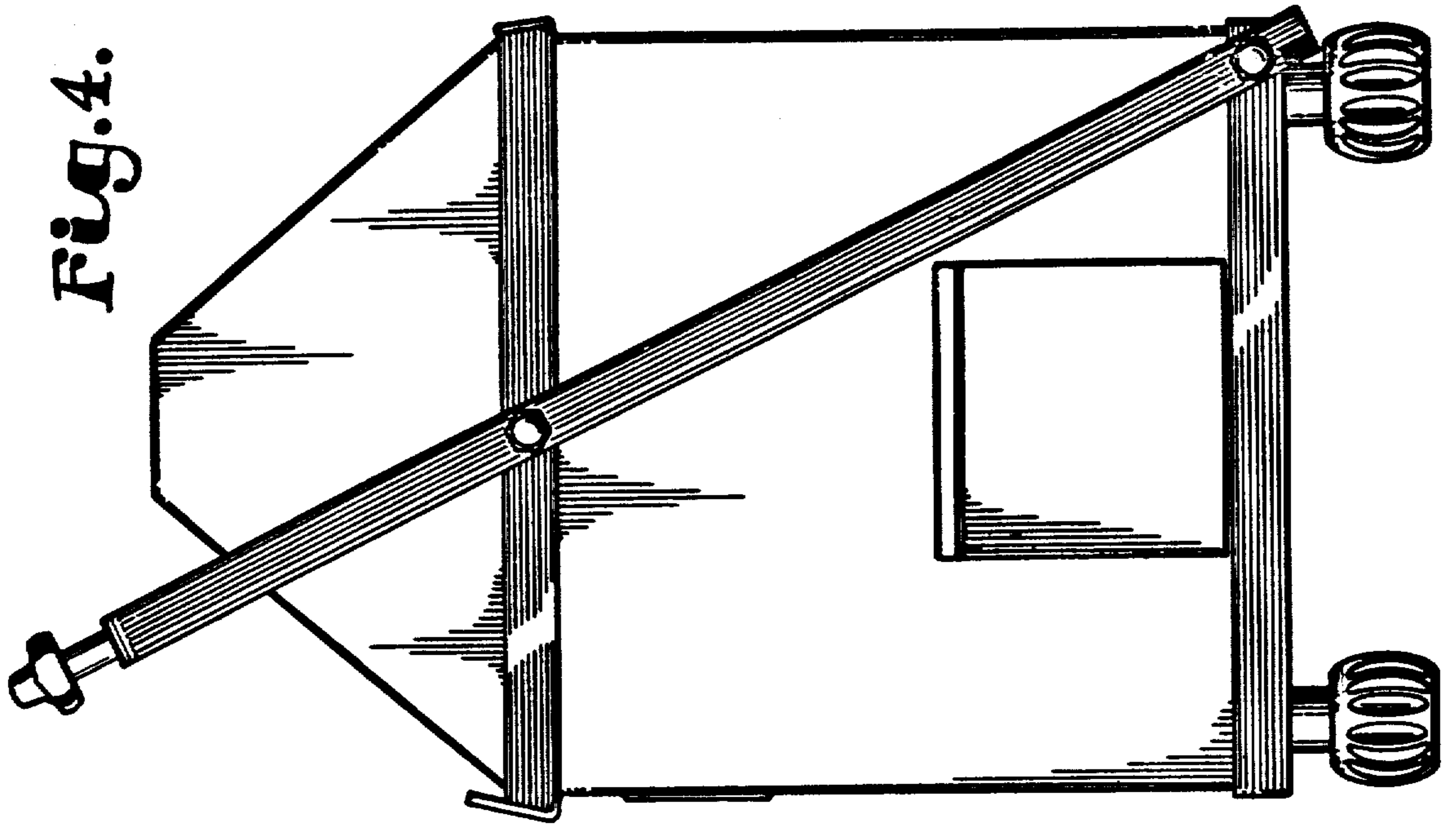


Fig. 2.

