

[54] **HYDROPONIC PLANTER**
 [75] **Inventor:** Michael J. Hirsch, Wayne, Pa.
 [73] **Assignee:** Hydroplanters, Inc., Wayne, Pa.
 [**] **Term:** 14 Years
 [21] **Appl. No.:** 609,011
 [22] **Filed:** Aug. 29, 1975
 [51] **Int. Cl.** D11-02
 [52] **U.S. Cl.** D11/156
 [58] **Field of Search** 47/1.2, 34.13; D35/1, D35/3 R, 3 A; D29/28 R; D6/113

3,451,162 6/1969 Rasmussen 47/1.2

Primary Examiner—Bernard Ansher
Attorney, Agent, or Firm—Charles H. Lindrooth

[57] **CLAIM**

The ornamental design for a hydroponic planter, as shown and described.

DESCRIPTION

FIG. 1 is an isometric view of a hydroponic planter showing my new design.

FIG. 2 is an isometric view of a modified embodiment of the hydroponic planter illustrated in FIG. 1.

FIG. 3 is a front elevation of the hydroponic planter shown in FIG. 1 and

FIG. 4 is a cross section taken on line 4-4 of FIG. 3. The broken lines are shown for illustrative purposes only.

[56] **References Cited**

U.S. PATENT DOCUMENTS

3,177,616 4/1965 Sawyer 47/34.13 X
 3,300,895 1/1967 Dosedla et al. 47/1.2

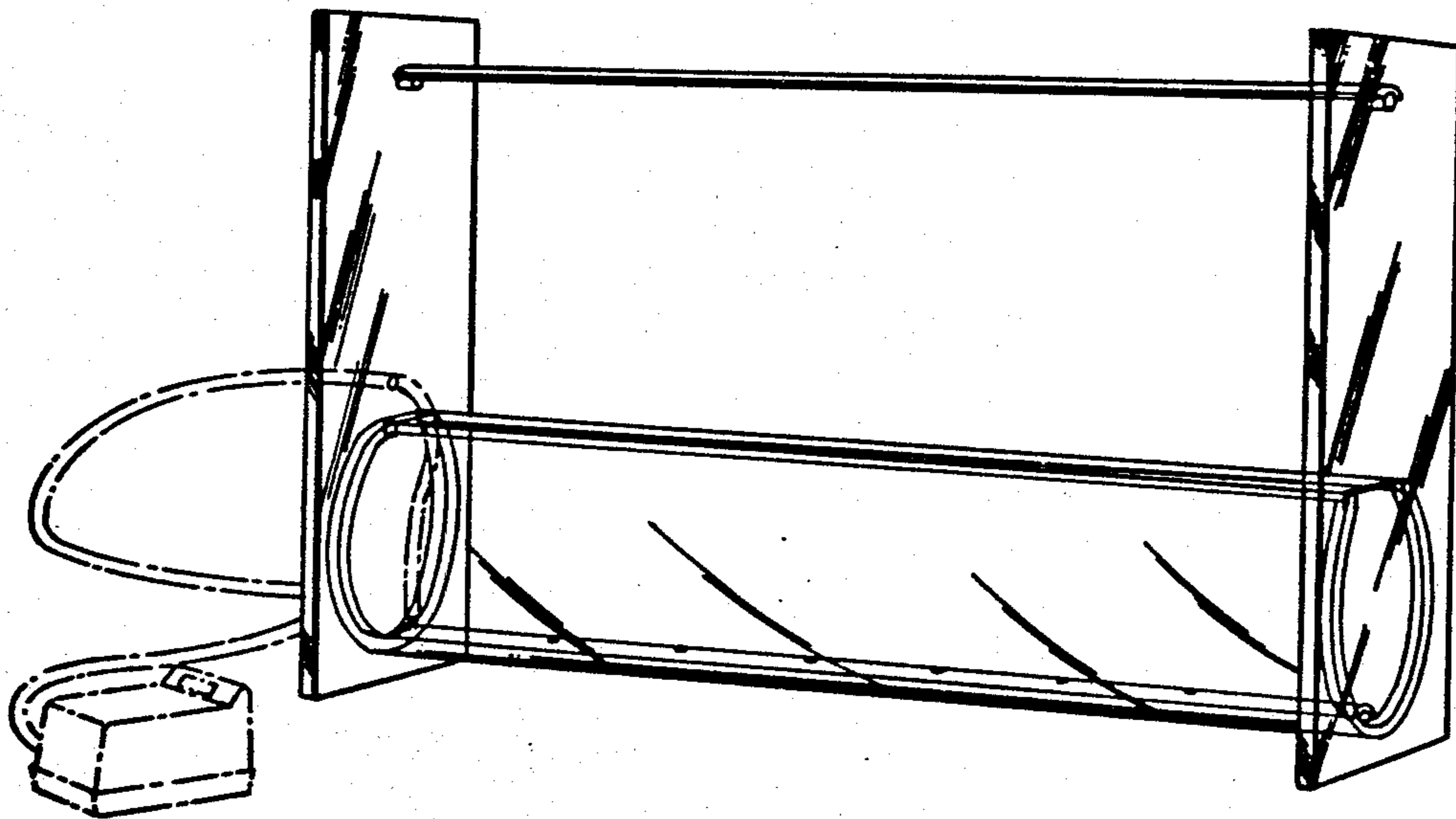


FIG. 1.

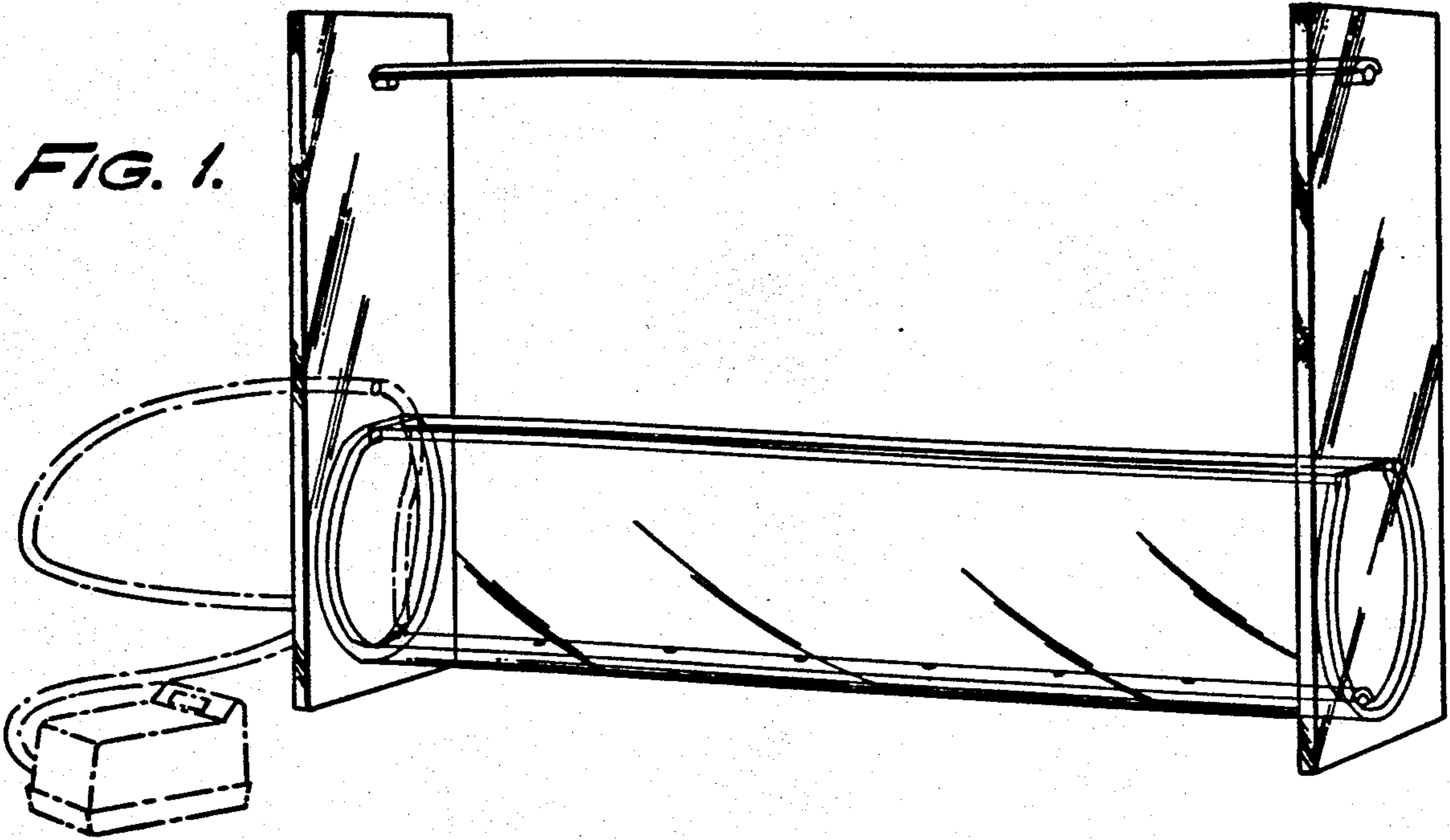
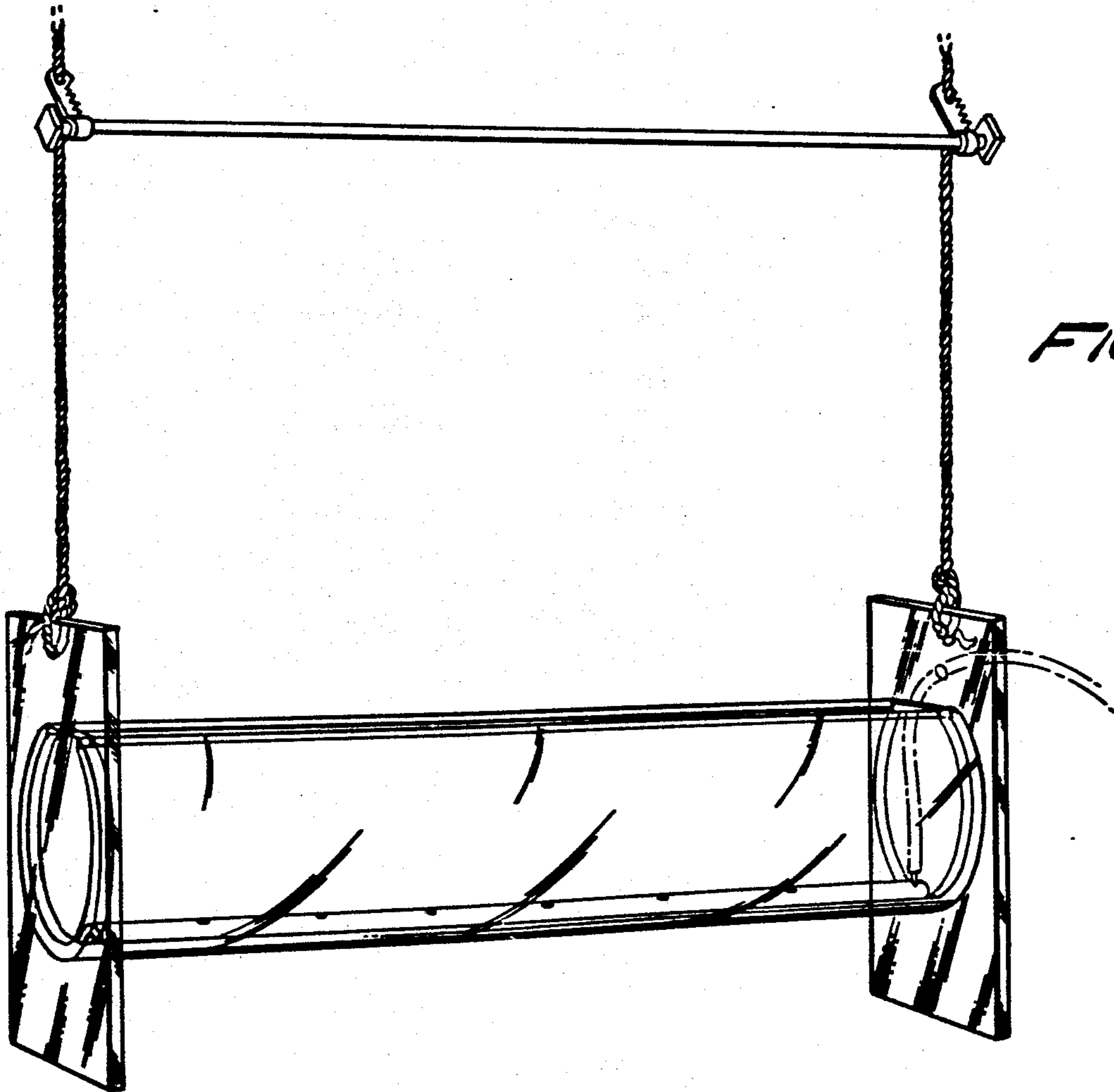


FIG. 2.



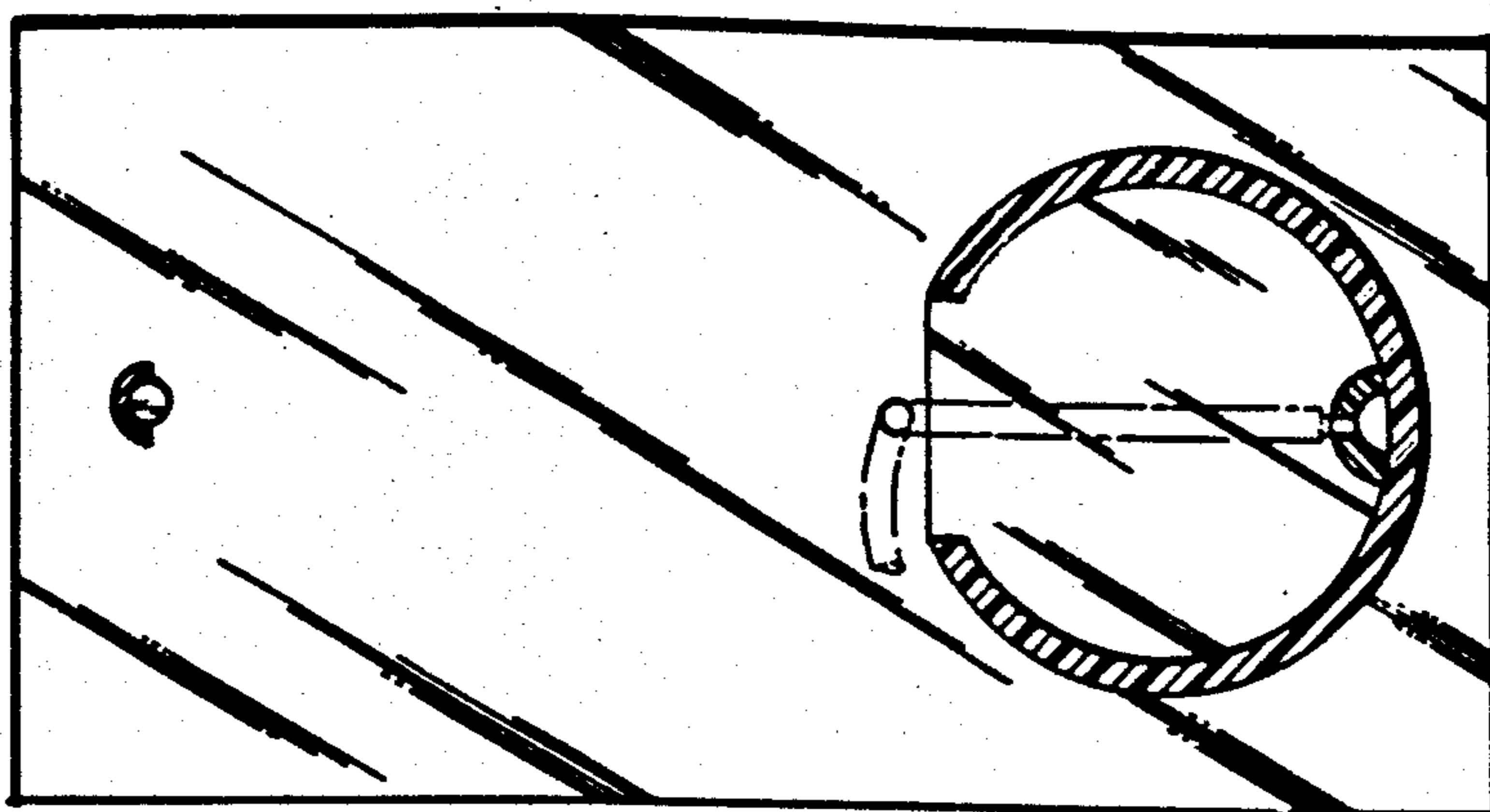


FIG. 4.

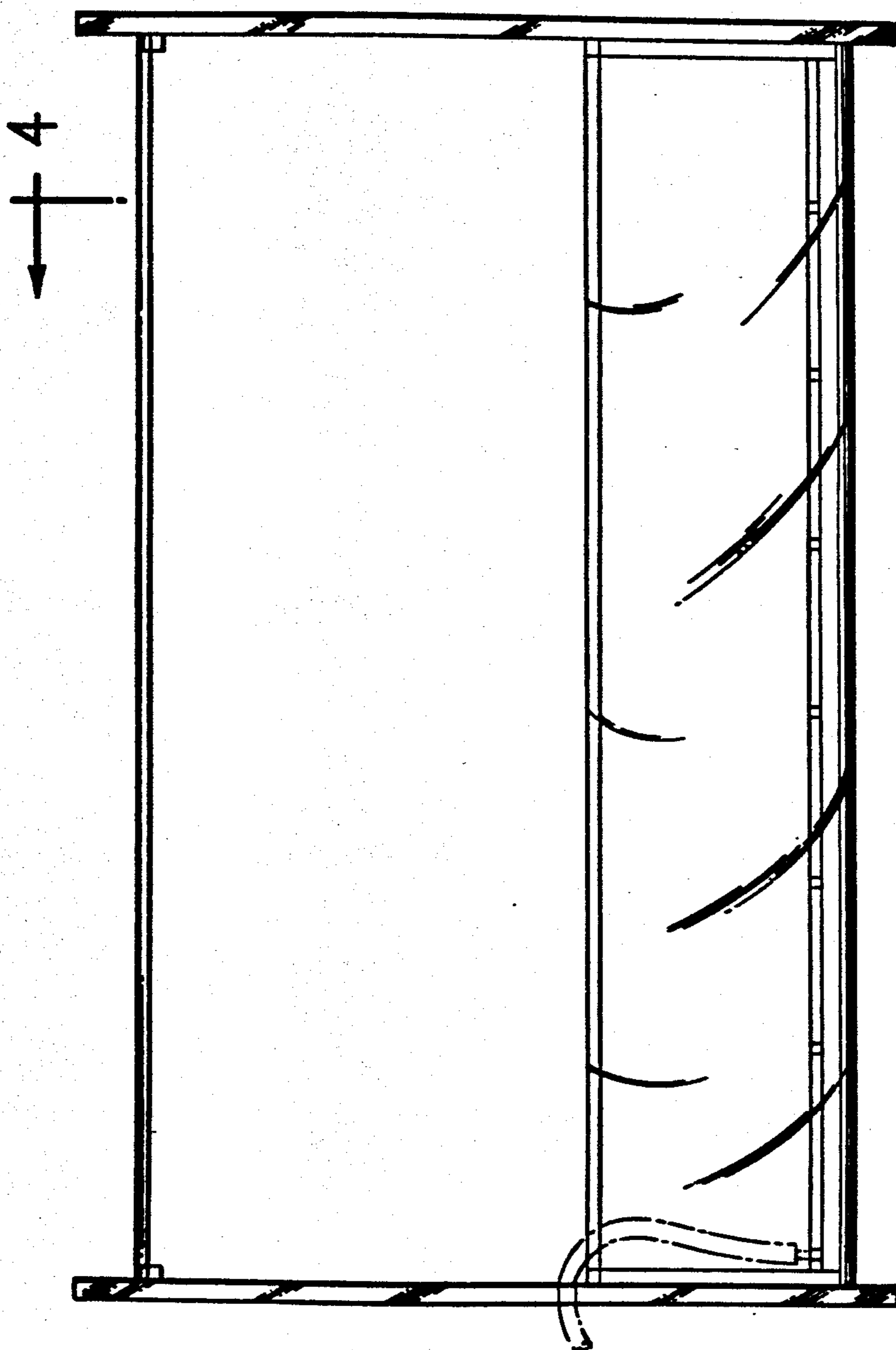


FIG. 3.