

[54] TOY WATER GUN

[75] Inventor: Francis M. L. Barthropp, West Vancouver, Canada

[73] Assignee: Barton of Canada Ltd., Burnaby, Canada

[**] Term: 14 Years

[21] Appl. No.: 585,123

[22] Filed: June 9, 1975

[51] Int. Cl. D21-01

[52] U.S. Cl. D34/15 VV

[58] Field of Search D34/15 R, 15 SS, 15 TT, D34/15 UU, 15 VV, 15 WW, 15 PT; 96/1 R, 1 E; 124/1 R, 18, 17, 64

[56] References Cited

U.S. PATENT DOCUMENTS

D. 140,087 1/1945 Rubin D34/15 PT

OTHER PUBLICATIONS

Gun Digest, 1963, p. 277, "Colt 45 Auto" at top left side of page.

Playthings, 1-1958, p. 20, "Sneaker Part Gun" at top of page.

Primary Examiner—Joel Stearman

Assistant Examiner—C. A. Rademaker

Attorney, Agent, or Firm—Kellard A. Carter

[57]

CLAIM

The ornamental design for a toy water gun, substantially as shown.

DESCRIPTION

FIG. 1 is a front perspective view of a toy water gun showing my new design;

FIG. 2 is a rear perspective view thereof;

FIG. 3 is a further front perspective view thereof;

FIG. 4 is a top plan view thereof; and

FIG. 5 is a bottom plan view thereof.

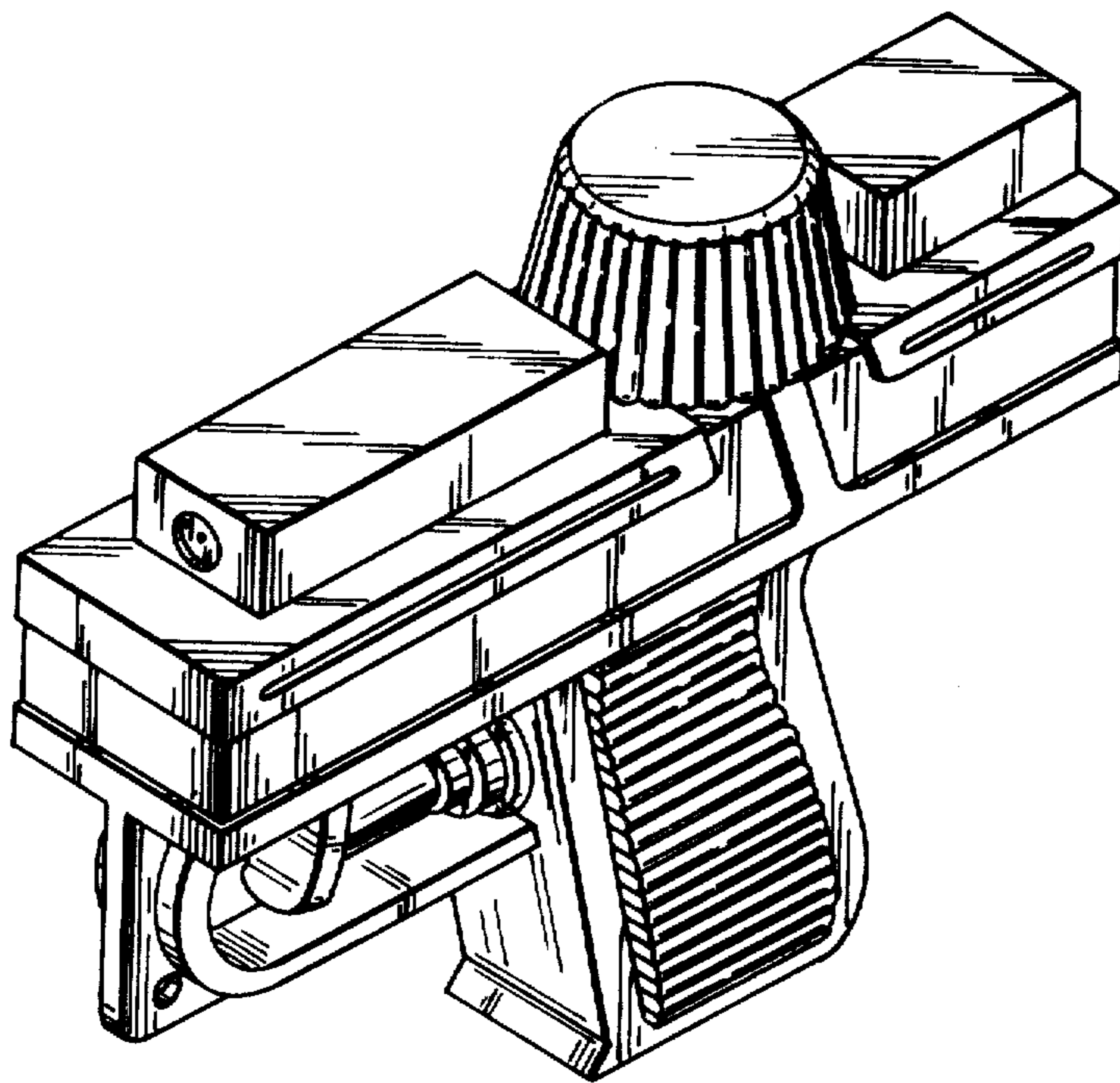


Fig. 1.

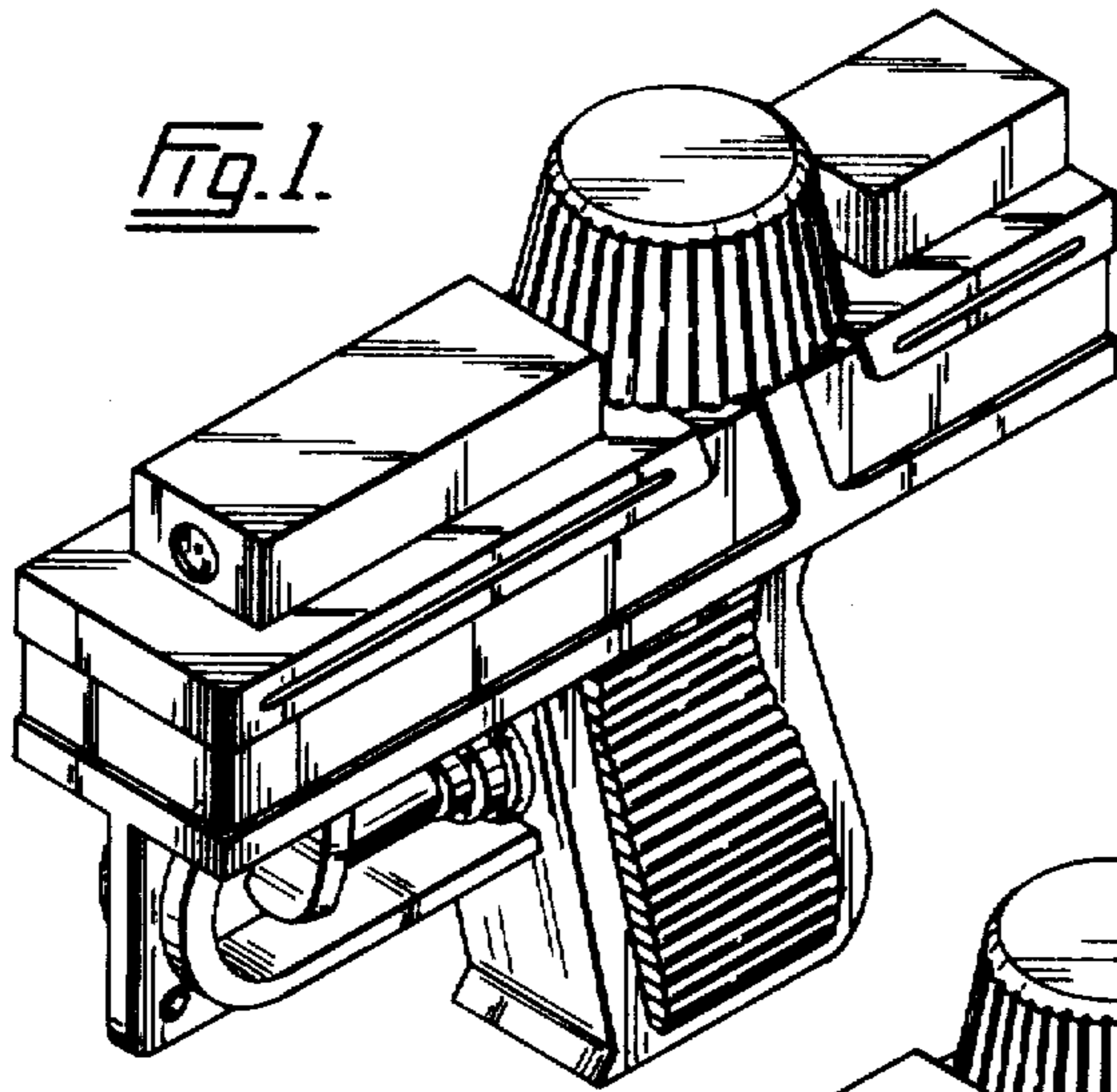


Fig. 2.

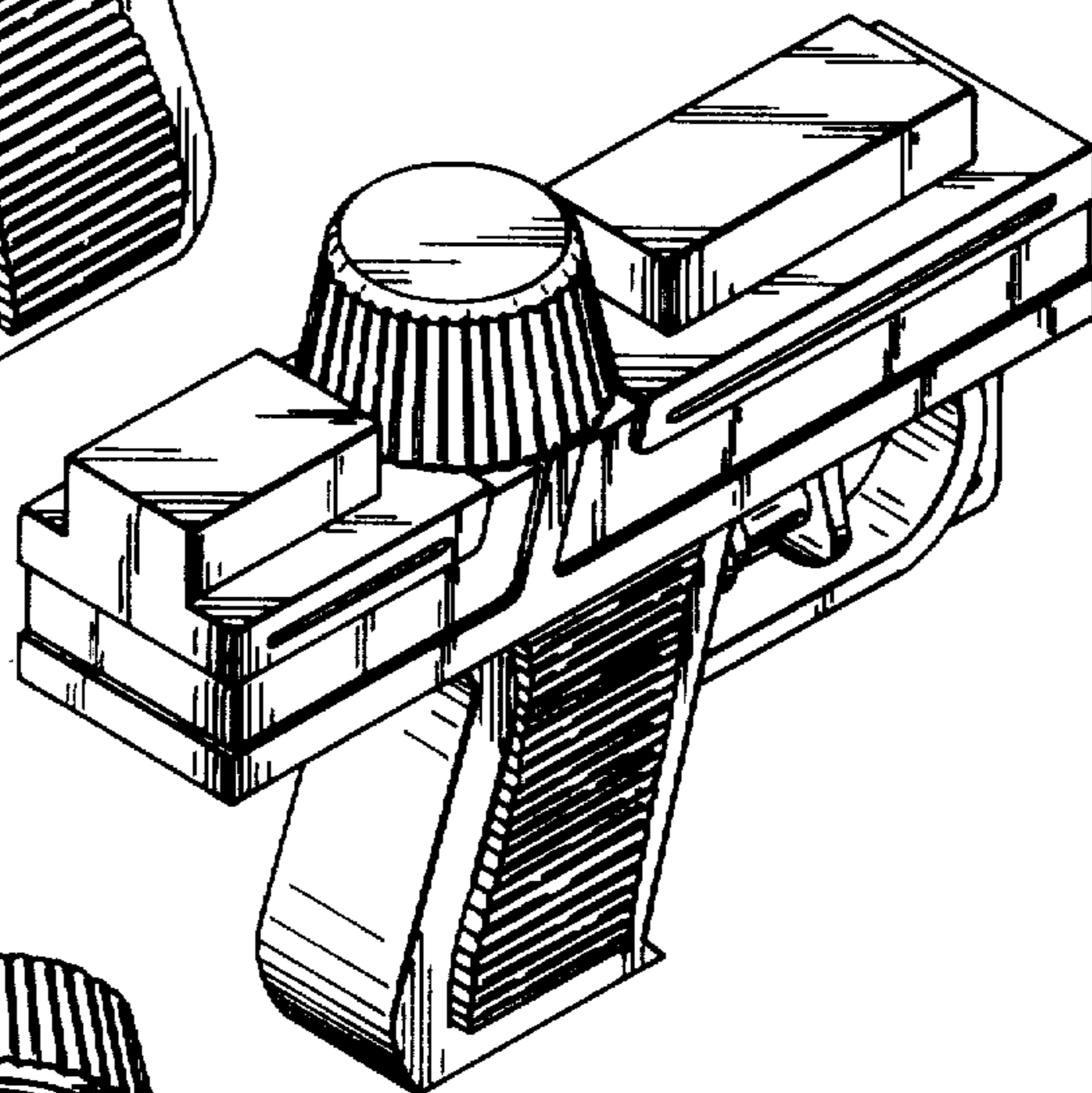


Fig. 3.

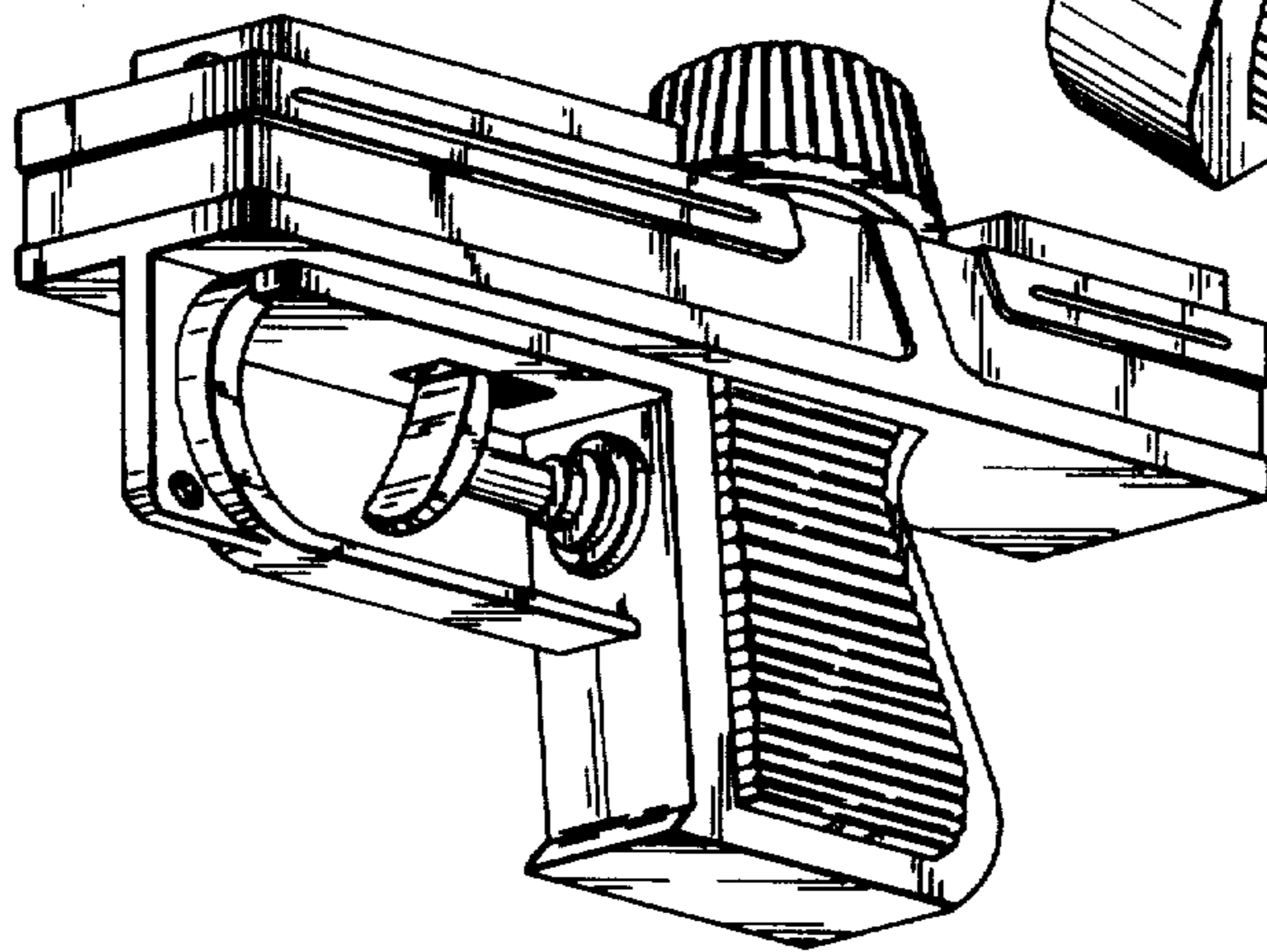


Fig. 4.

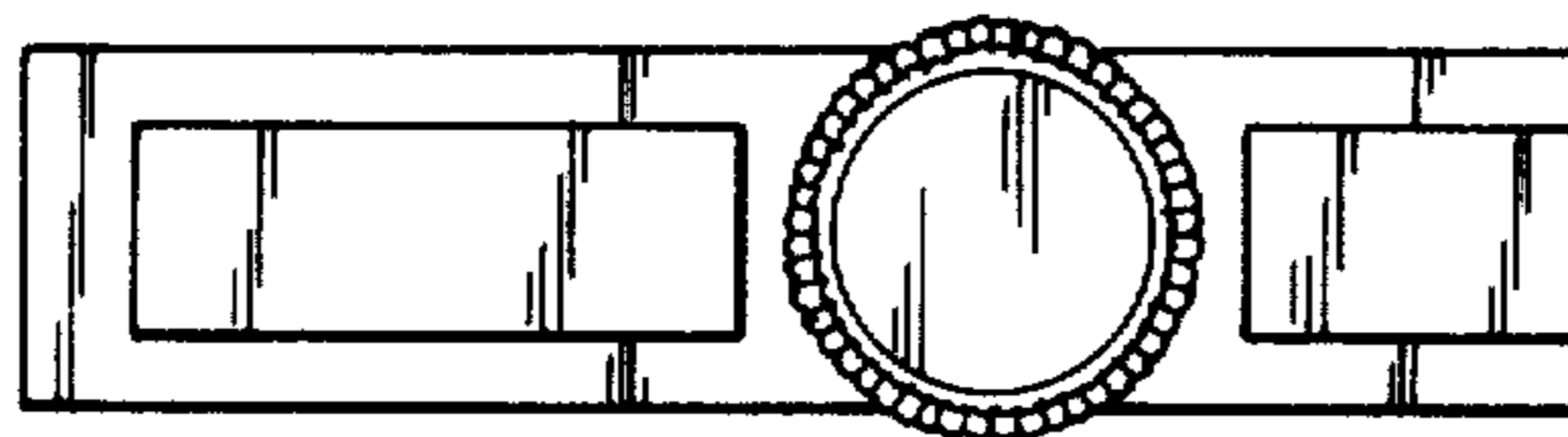


Fig. 5.

