

[54] **HAND HELD ELECTRONIC SCANNING CAMERA PROBE**

[75] **Inventor: Morris A. Kohn, San Mateo, Calif.**

[73] **Assignee: Datacopy Corporation, Palo Alto, Calif.**

[**] **Term: 14 Years**

[21] **Appl. No.: 591,356**

[22] **Filed: June 30, 1975**

[51] **Int. Cl. D14-02**

[52] **U.S. Cl. D26/5 C**

[58] **Field of Search D16/14-18, D16/28; 353/11, 22, 23, 24, 25, 27, 39, 47, 74, 75, 77, 119, 122; D26/5 C; 235/61 R, 61 E; 340/146 R**

[56]

References Cited

U.S. PATENT DOCUMENTS

D. 227,109	6/1973	Rosen et al.	D26/5 C
D. 230,403	2/1974	Englund	D26/5 C
D. 238,680	2/1976	Pulos et al.	D26/5 C
D. 239,287	3/1976	Ault	D26/5 C

Primary Examiner—Joel Stearman
Assistant Examiner—C. A. Rademaker
Attorney, Agent, or Firm—Harvey G. Lowhurst

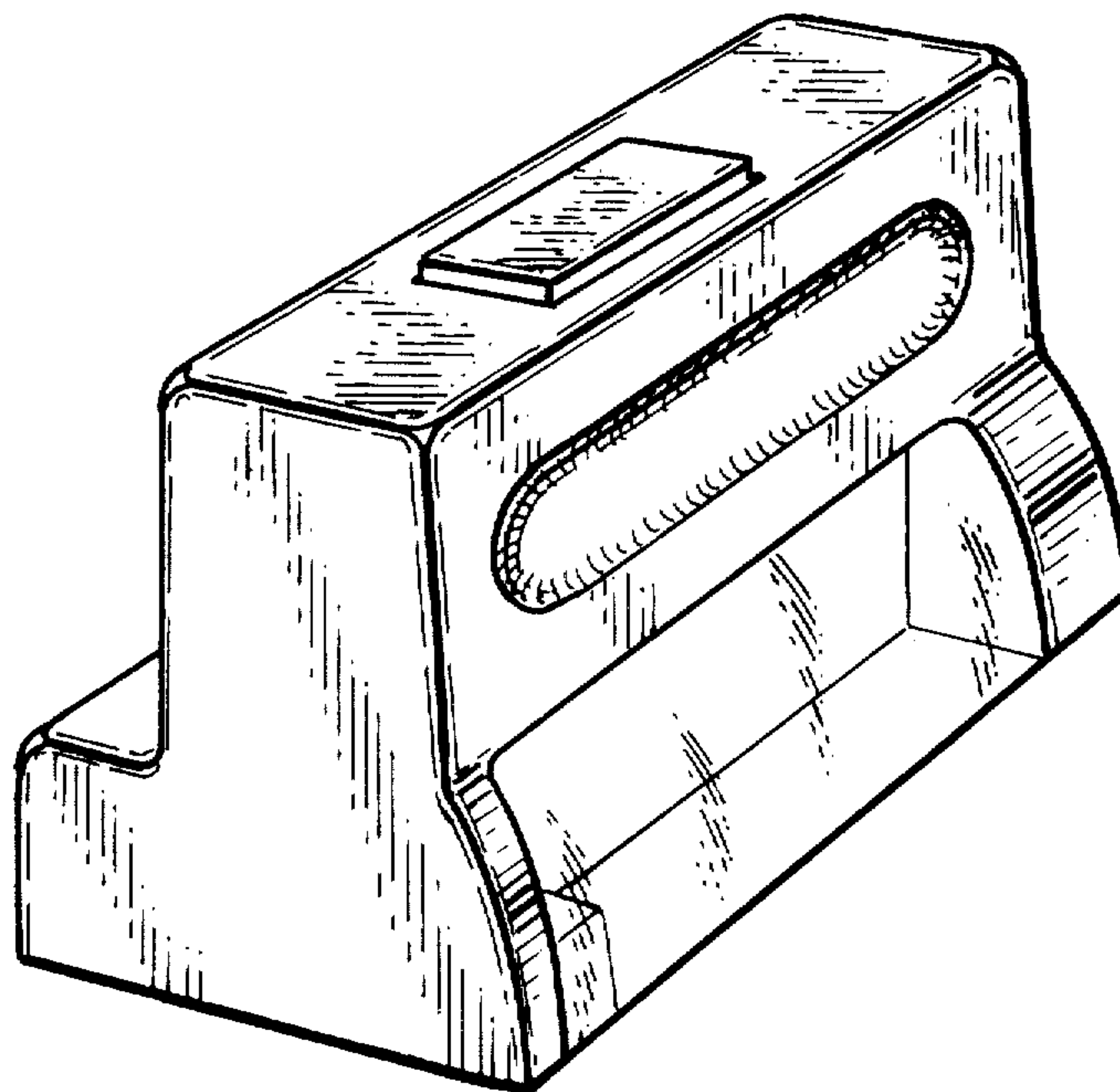
[57]

CLAIM

The ornamental design for a hand held electronic scanning camera probe, as shown and described.

DESCRIPTION

FIG. 1 is a perspective view, taken from the left side and above, of a hand held electronic scanning camera probe showing my new design;
FIG. 2 is a front elevational view thereof;
FIG. 3 is a side elevational view thereof; and
FIG. 4 is a bottom plan view thereof.



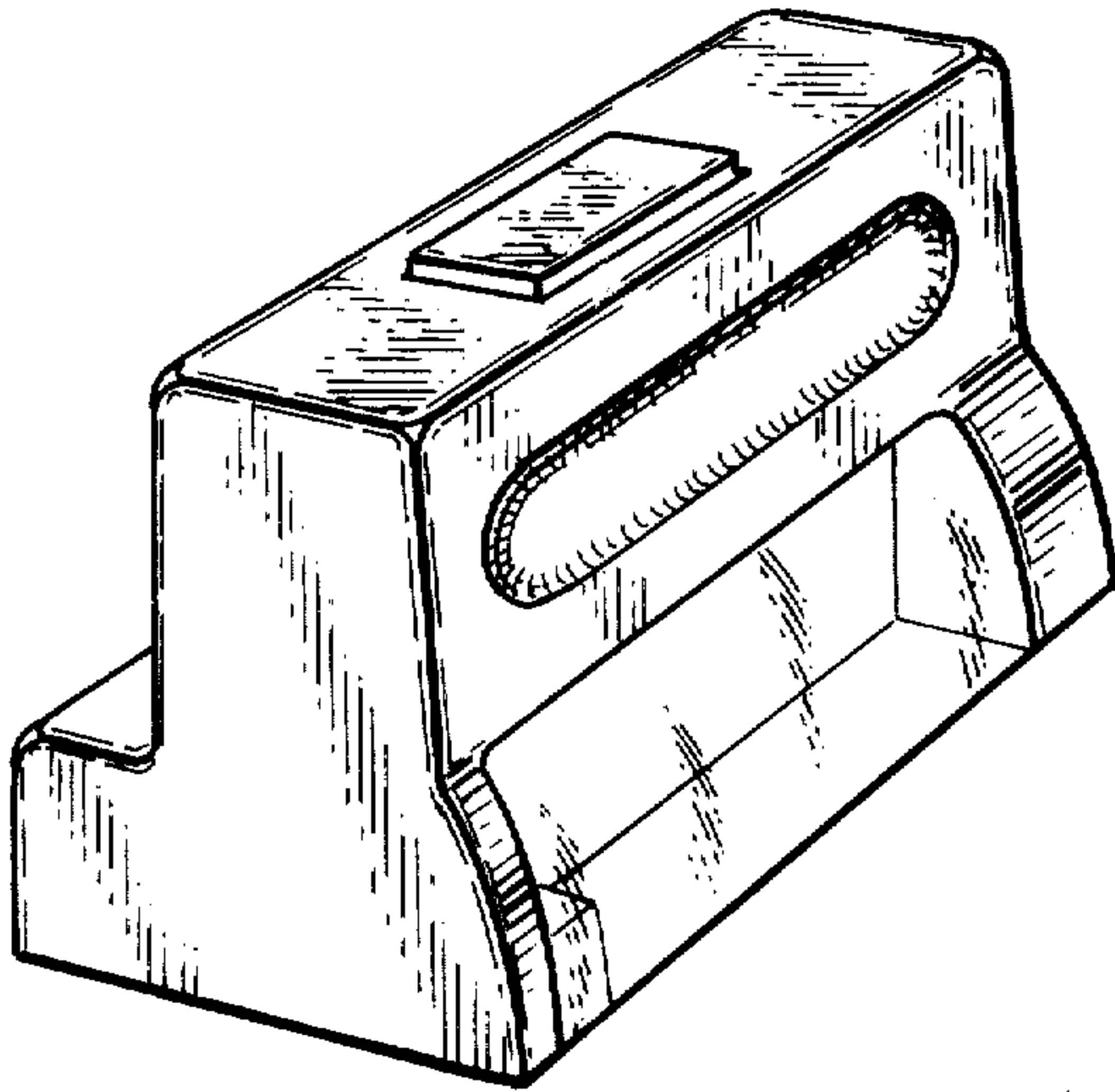


Fig. 1

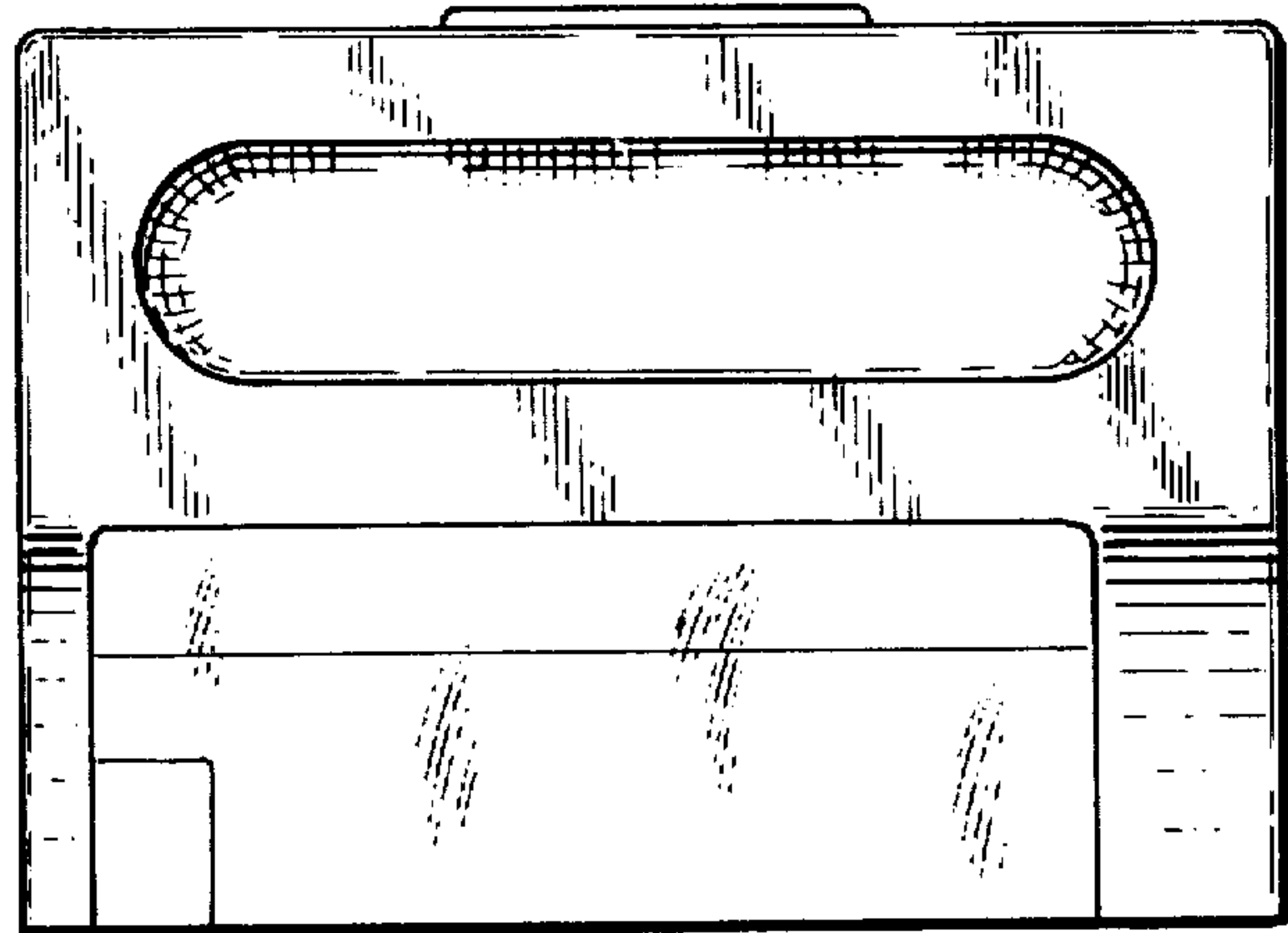


Fig. 2

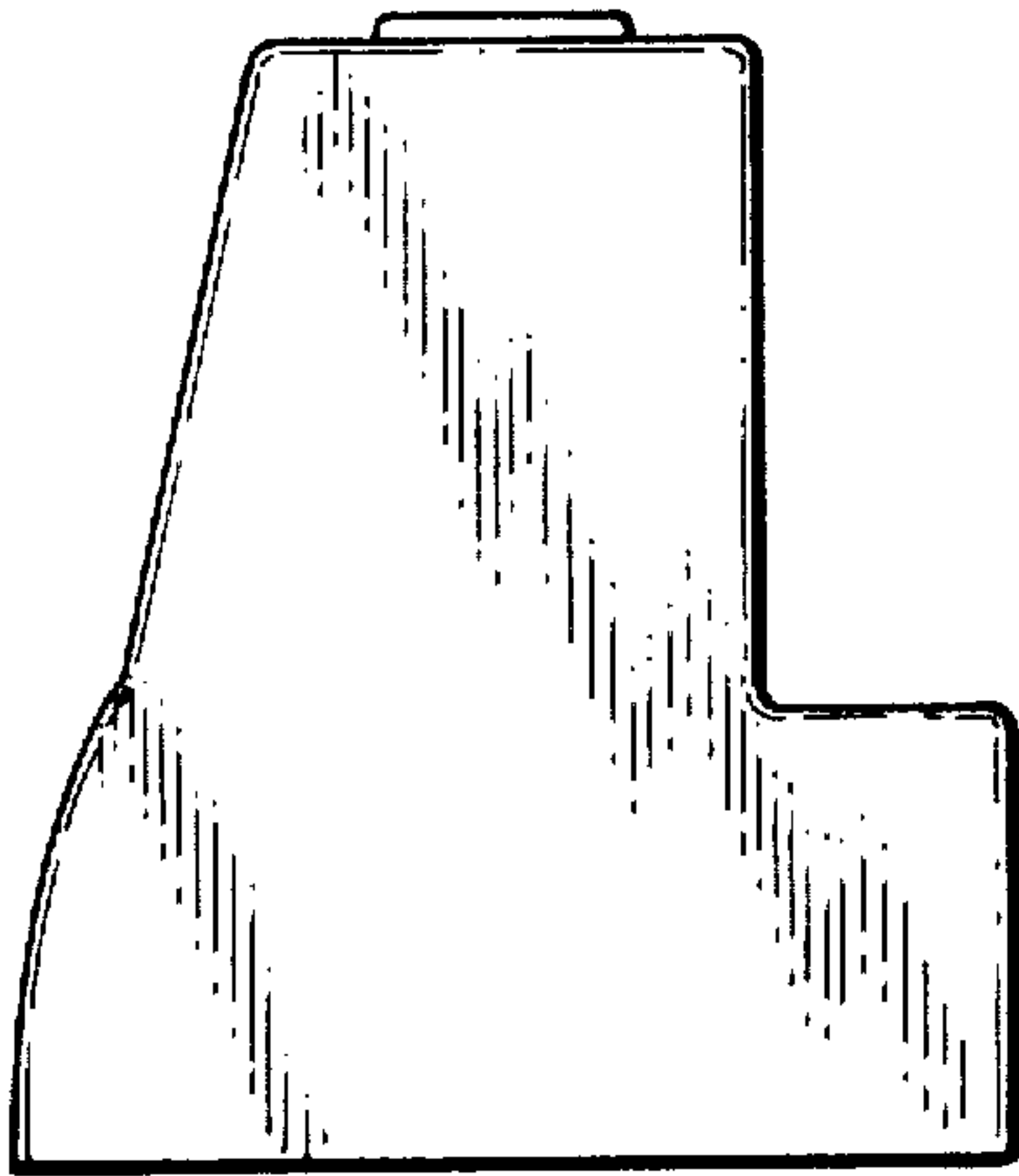


Fig. 3

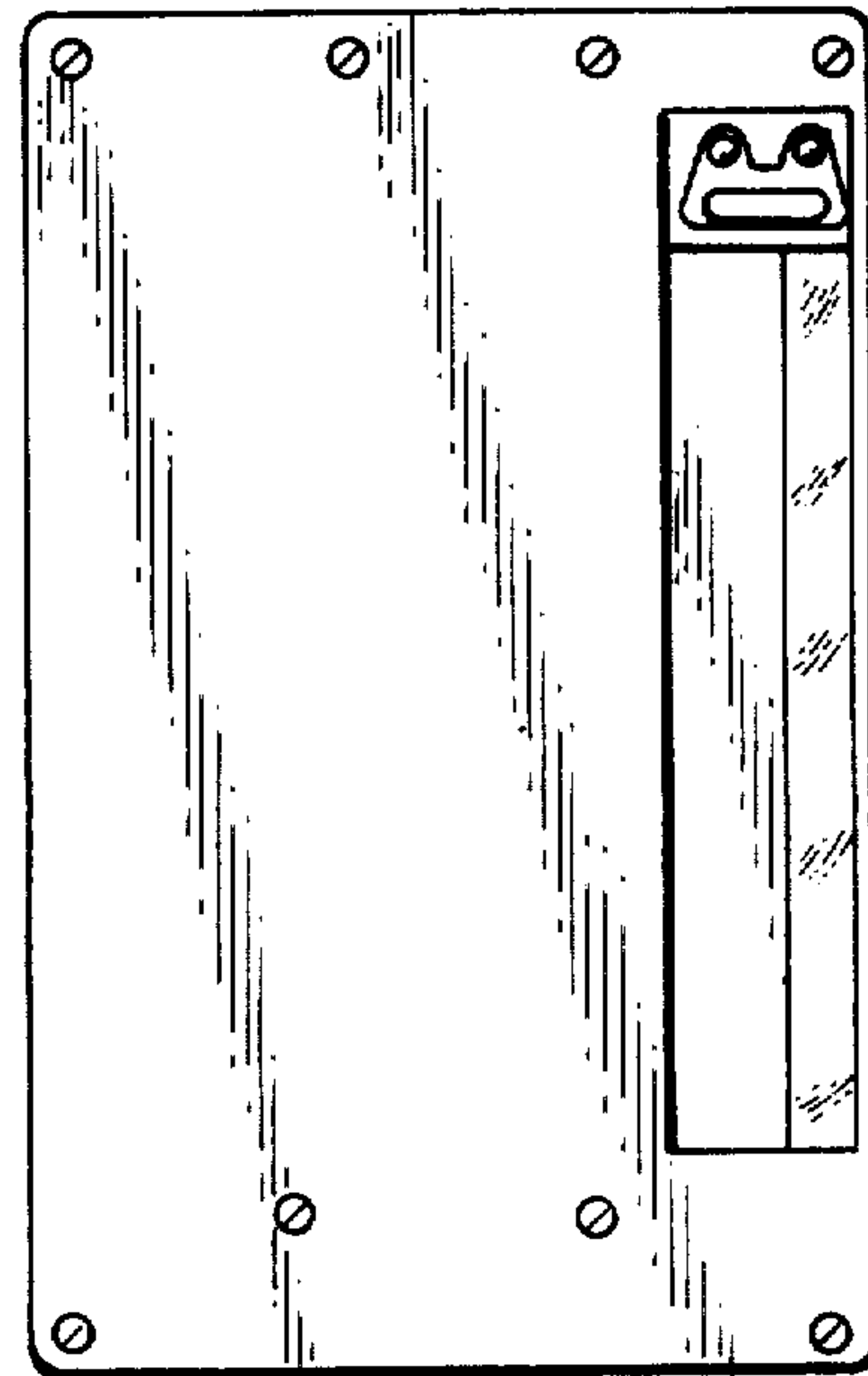


Fig. 4