

[54] SPARK PLUG COVER

[75] Inventor: Antonio Gomes, Jr., East Longmeadow, Mass.

[73] Assignee: R. E. Phelon Company, Inc., East Longmeadow, Mass.

[\*\*] Term: 14 Years

[21] Appl. No.: 581,647

[22] Filed: May 28, 1975

[51] Int. Cl. .... D15-01

[52] U.S. Cl. .... D26/1 J

[58] Field of Search ..... D26/1 J; 339/26, 191 R

[56] References Cited

U.S. PATENT DOCUMENTS

714,928 12/1902 Marshall ..... 339/191 R X  
1,032,818 7/1912 Day ..... 339/26

FOREIGN PATENT DOCUMENTS

620,618 3/1949 United Kingdom ..... 339/26

Primary Examiner—Susie J. Mercer  
Attorney, Agent, or Firm—Donald K. Huber

[57] CLAIM

The ornamental design for a spark plug cover, as shown and described.

DESCRIPTION

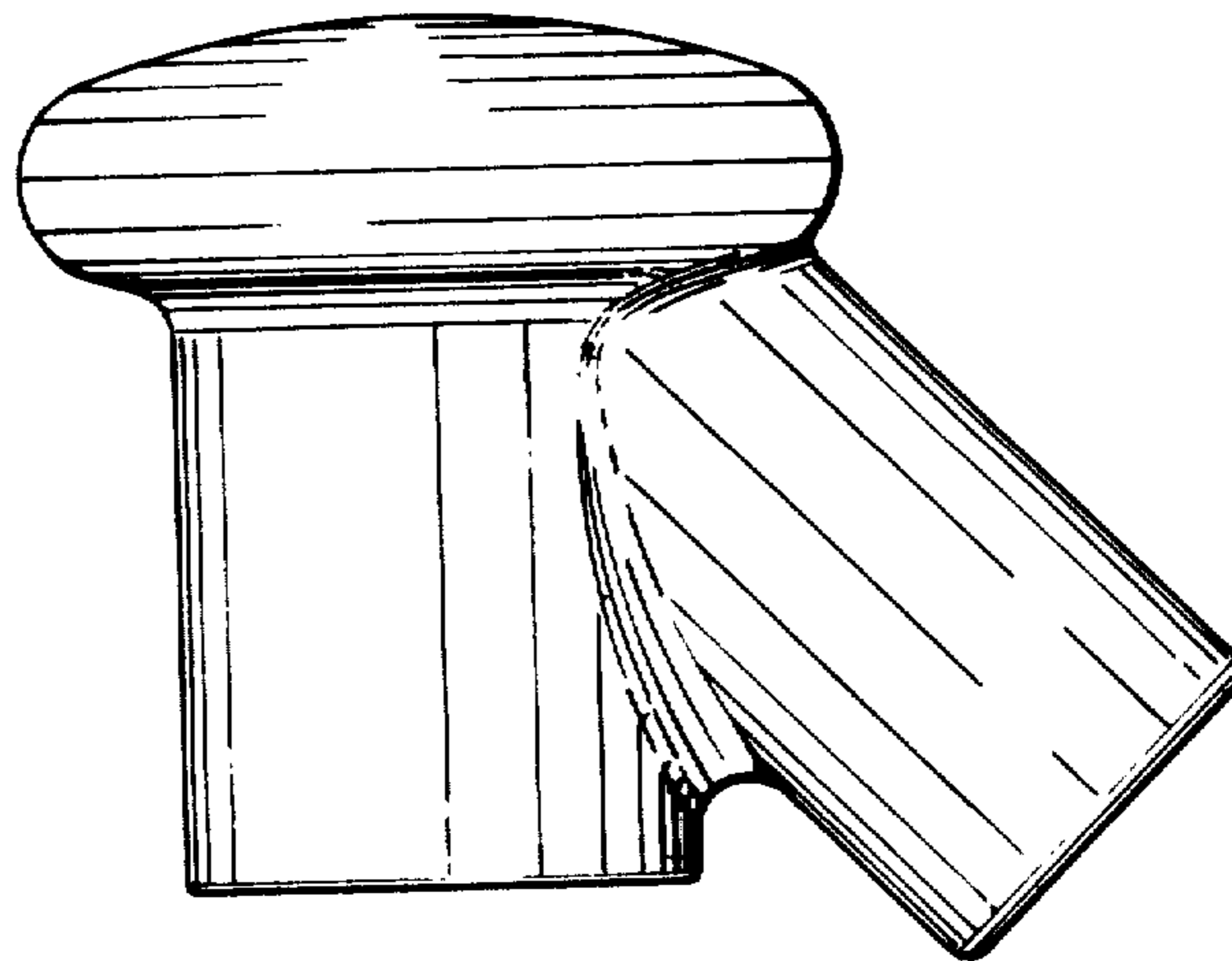
FIG. 1 is an elevational view of the right side of the spark plug cover showing my new design, the left side of the spark plug cover, in elevation, being of similar appearance.

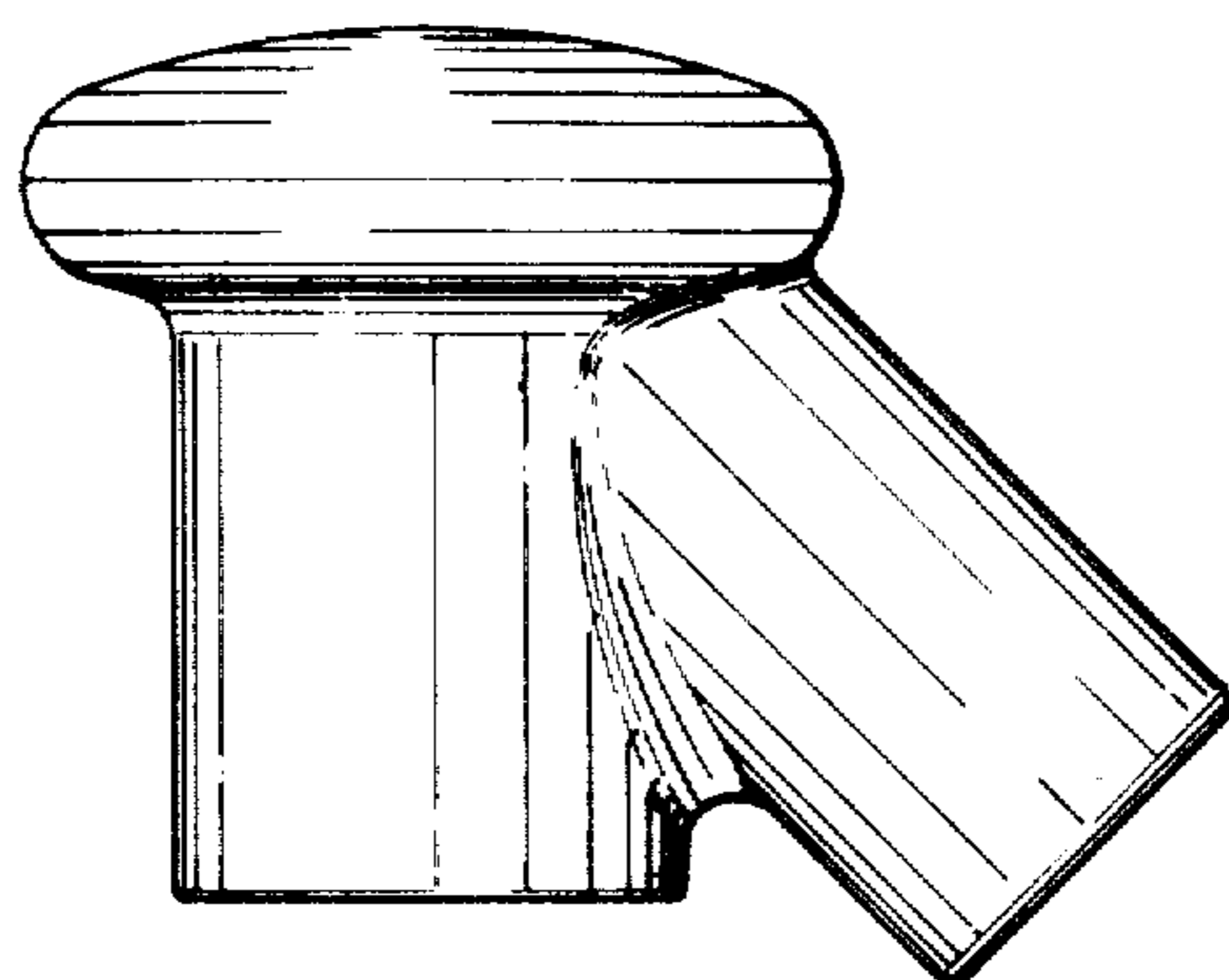
FIG. 2 is a rear elevational view thereof.

FIG. 3 is a top plan view thereof.

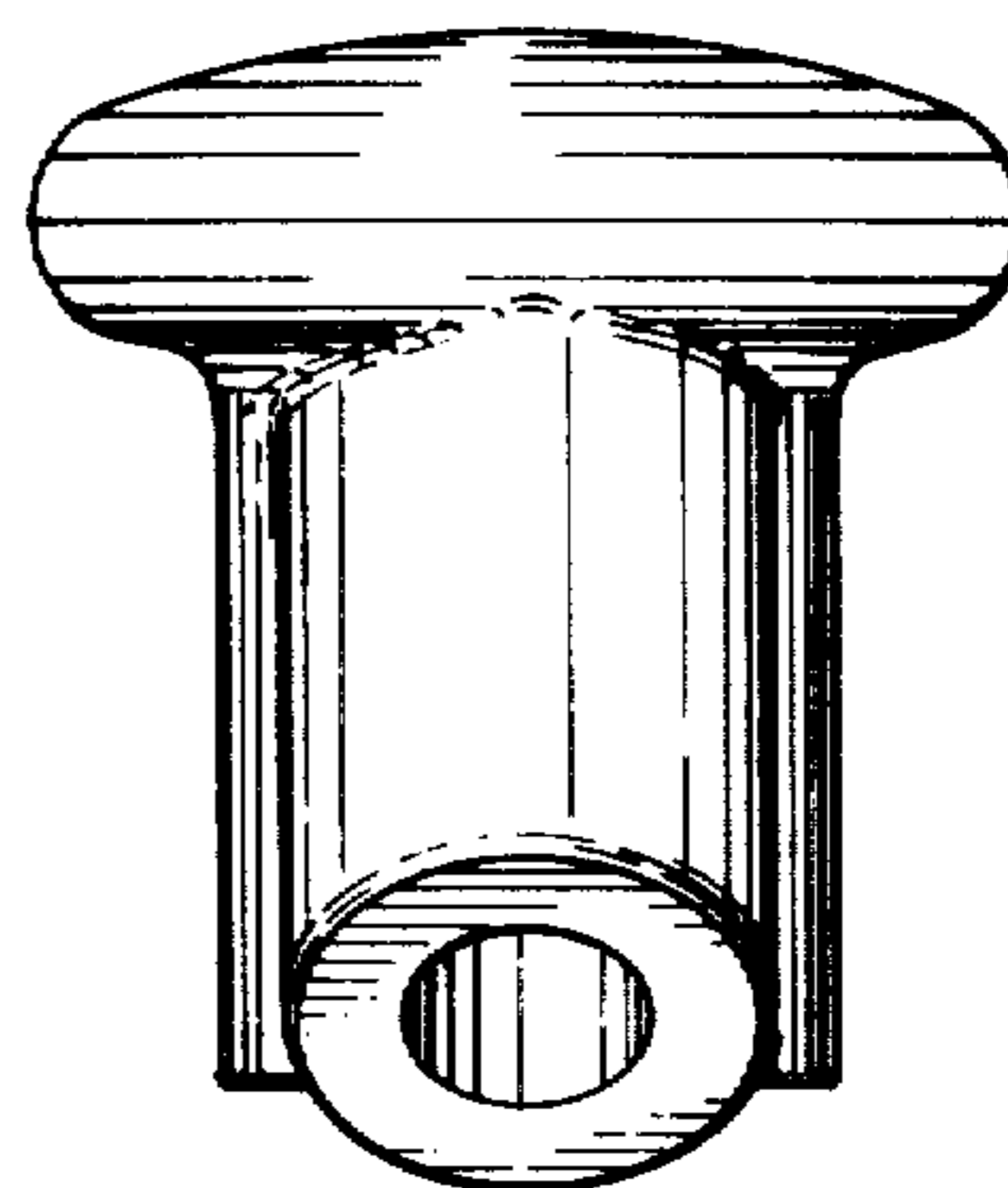
FIG. 4 is a front elevational view thereof.

FIG. 5 is a bottom view thereof.

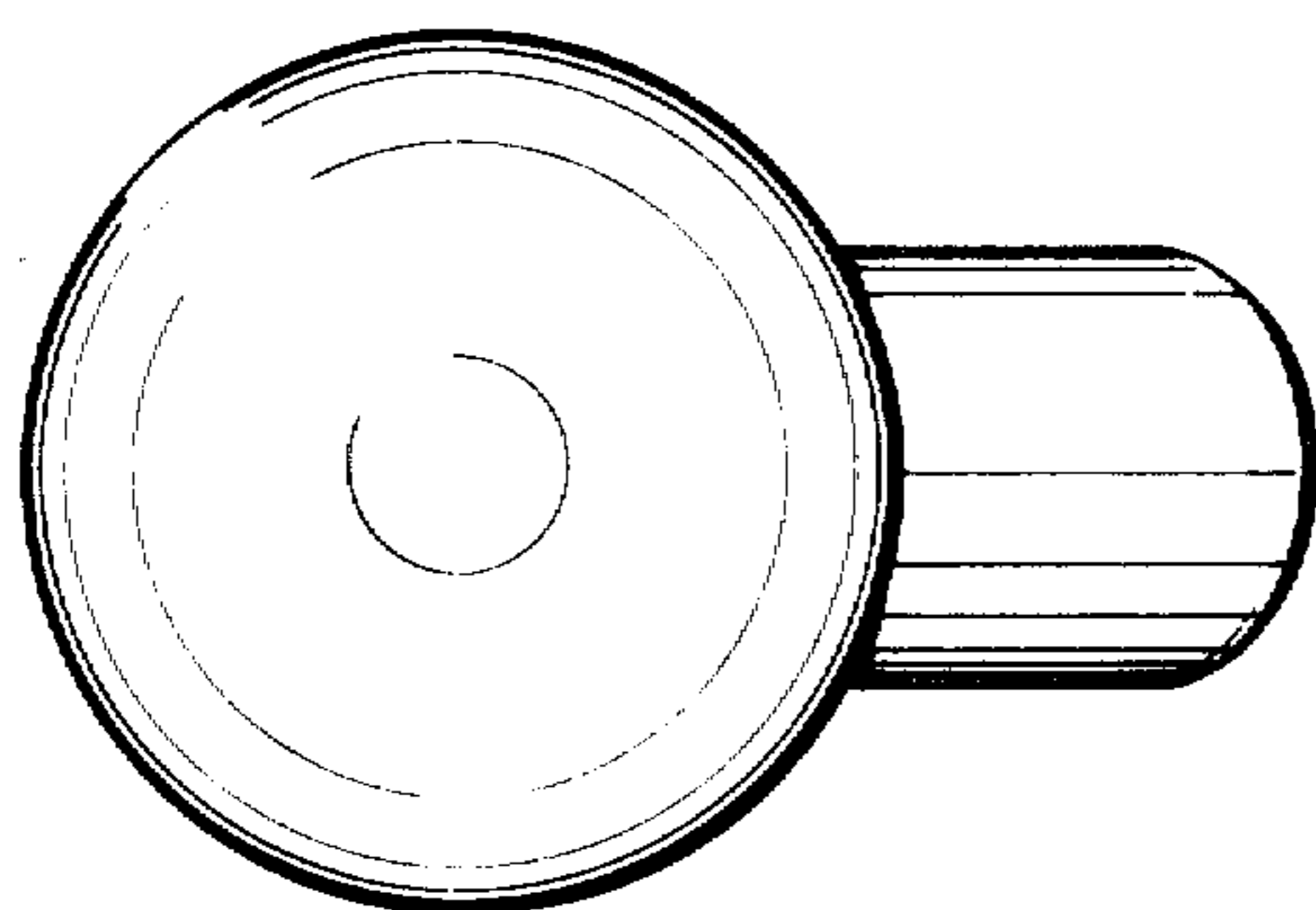




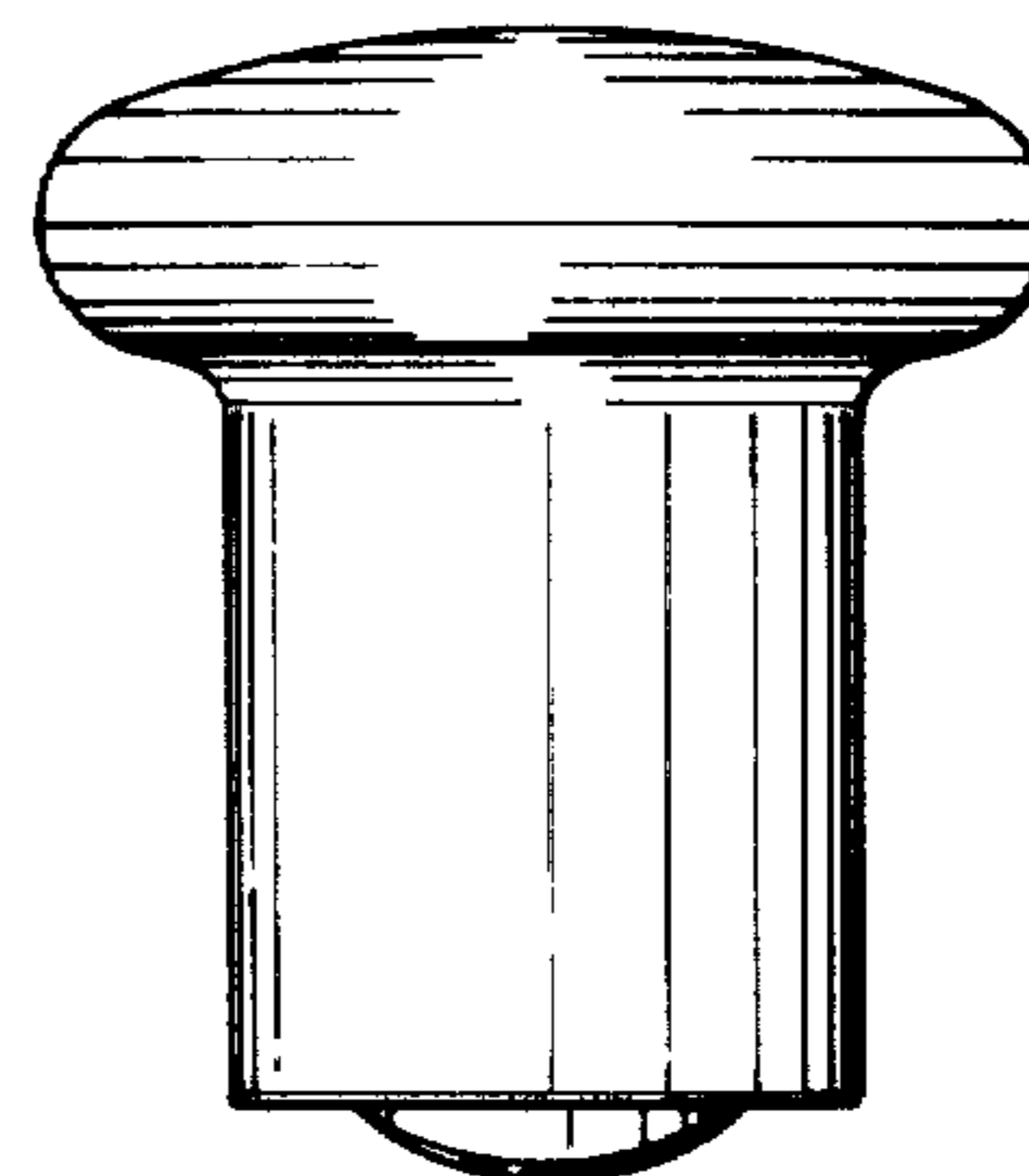
*Fig. 1*



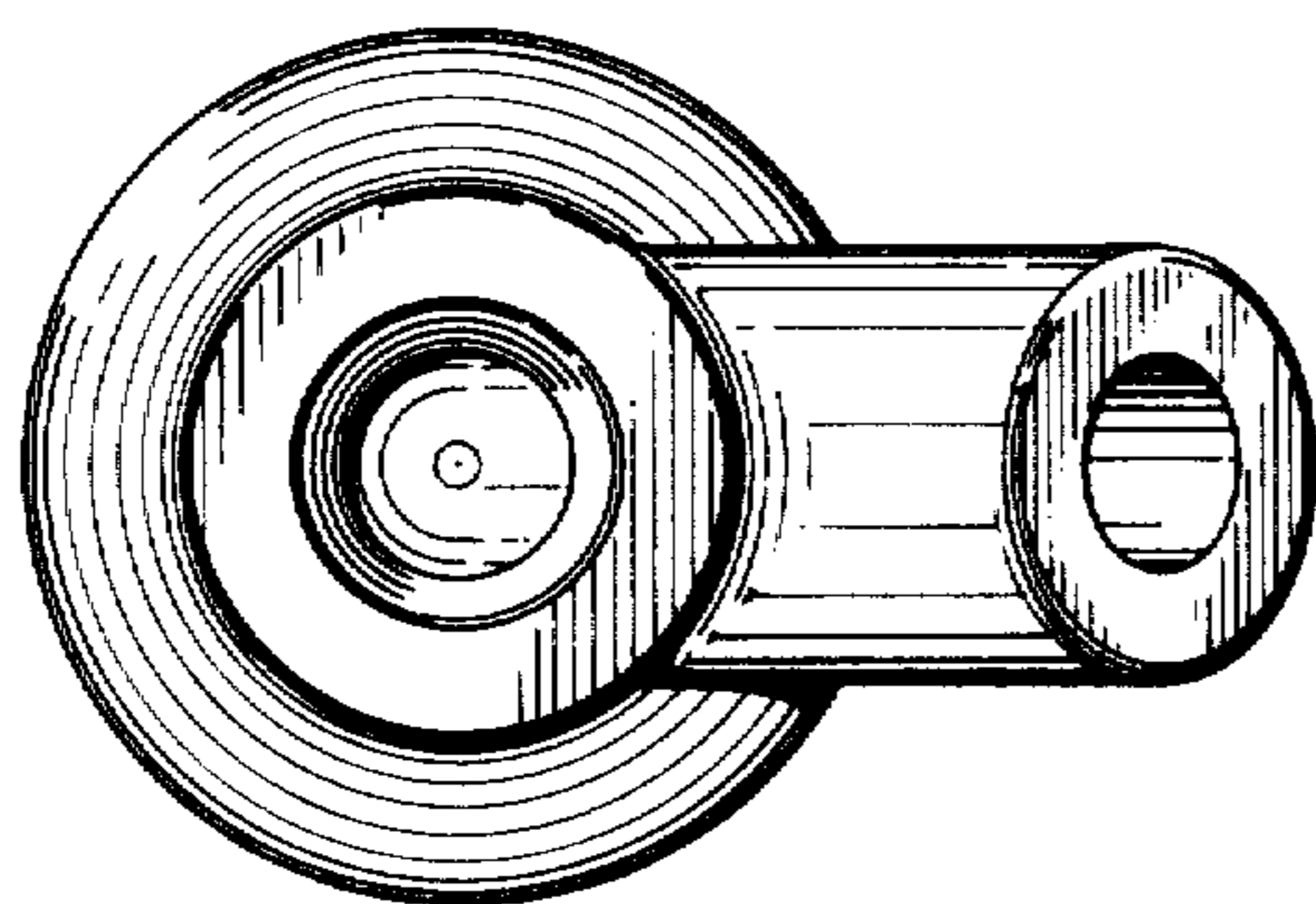
*Fig. 2*



*Fig. 3*



*Fig. 4*



*Fig. 5*