

[54] DECORATIVE PLASTIC PANEL FOR A DOOR SURFACE

[75] Inventor: Warren G. Stichtenoth, Cincinnati, Ohio

[73] Assignee: American Standard Inc.

[\*\*] Term: 14 Years

[21] Appl. No.: 533,411

[22] Filed: Dec. 16, 1974

[51] Int. Cl. .... D25-01

[52] U.S. Cl. .... D25/80

[58] Field of Search ..... D13/1 J, 1 M; D54/2 A, D54/2 B; D18/2 R, 2 B; 52/588, DIG. 2

[56] References Cited

U.S. PATENT DOCUMENTS

- D. 209,418 11/1967 Cutler ..... D54/2 B
- D. 227,677 7/1973 Koch et al. .... D13/1 J X

OTHER PUBLICATIONS

Hornung Handbook of Designs and Devices, c. 1932, plate No. 184, item 1651.

Sweets Architectural Catalog File, 1965, section 13d/Des, p. 2, item No. 19.

The Grammar of Ornament by O. Jones, received Nov. 1929, p. 35, Yucatan fret at lower left.

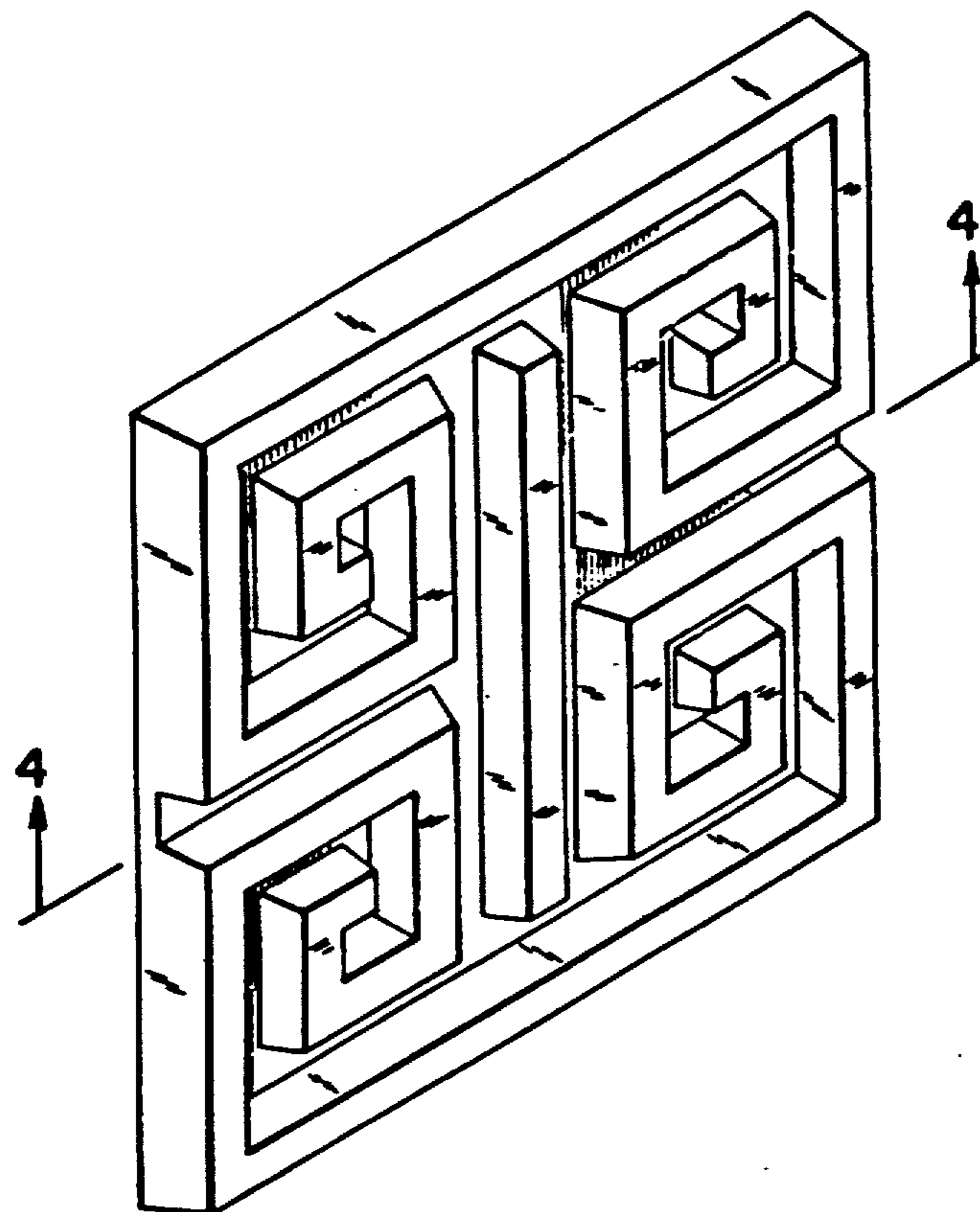
Primary Examiner—A. Hugo Word  
Attorney, Agent, or Firm—James J. Salerno, Jr.

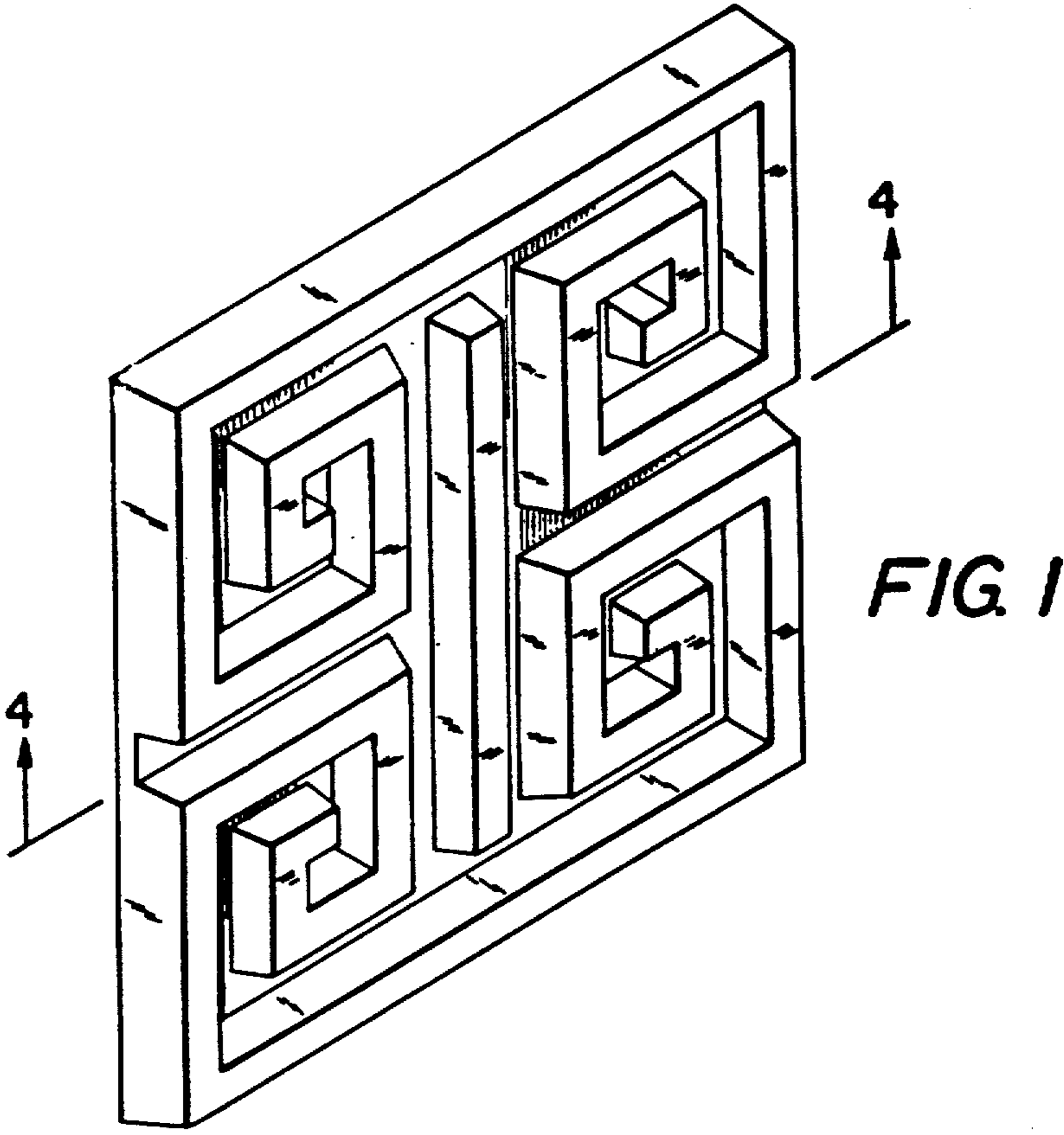
[57] CLAIM

The ornamental design for a decorative plastic panel for a door surface, substantially as shown and described.

DESCRIPTION

FIG. 1 is an isometric view of the plastic panel embodying the decorative design of my invention; FIG. 2 is a side elevational view as seen from either the right or left of FIG. 1; FIG. 3 is a side elevational view as seen from either the top or bottom of FIG. 1; and FIG. 4 is a cross-sectional view along the lines 1—1 of FIG. 1.





*FIG. 2*



*FIG. 3*



*FIG. 4*

