

[54] CURB AND DRAIN UNIT

[75] Inventor: Sinzo Ito, Tokyo, Japan

[73] Assignee: Sanken Steel Co. Ltd.

[**] Term: 14 Years

[21] Appl. No.: 487,363

[22] Filed: July 10, 1974

[51] Int. Cl. D25-01

[52] U.S. Cl. D25/73

[58] Field of Search D13/1 G; 4/172.17, 172.18; 404/7, 8; D25/70, 71, 72, 73, 74, 75

[56] References Cited

U.S. PATENT DOCUMENTS

867,388	10/1907	Lerch	404/7
3,011,178	12/1961	Stone	4/172.18
3,203,327	8/1965	Daley	404/7
3,319,264	5/1967	Scarano	4/172.18
3,546,719	12/1970	Bishop	4/172.17

Primary Examiner—Wallace R. Burke
Attorney, Agent, or Firm—John J. McGlew

[57] CLAIM

The ornamental design for a curb and drain unit, as shown.

DESCRIPTION

FIG. 1 is a perspective view of a curb and drain unit embodying my new design;
FIG. 2 is a elevational view;
FIG. 3 is a rear elevational view;
FIG. 4 is a plan view;
FIG. 5 is a bottom view;
FIG. 6 is a right side view;
FIG. 7 is a cross-sectional view taken on line VII—VII of FIG. 4; and
FIG. 8 is a cross-sectional view taken on line VIII—VIII of FIG. 4 of a curb and drain unit.

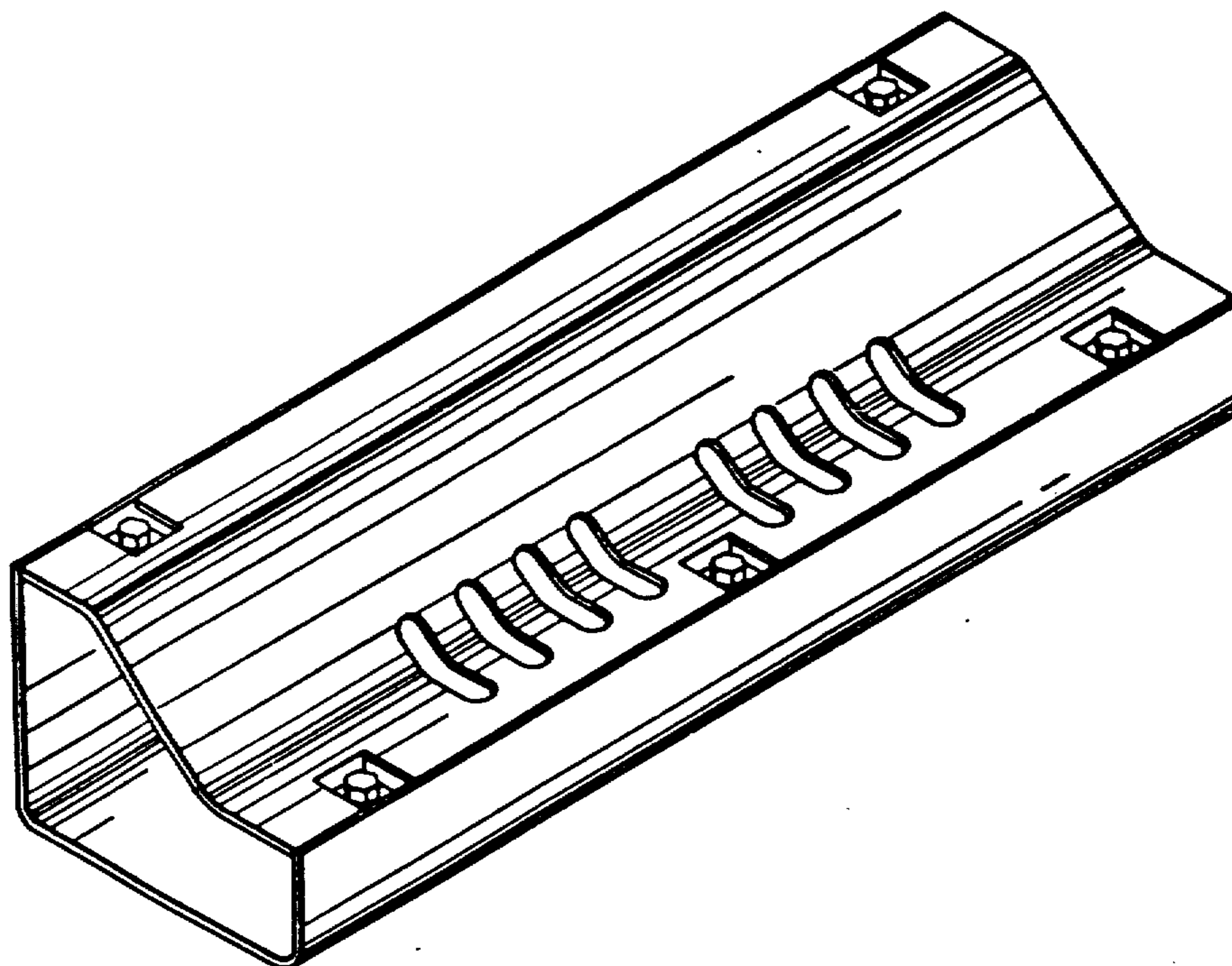


FIG. 1

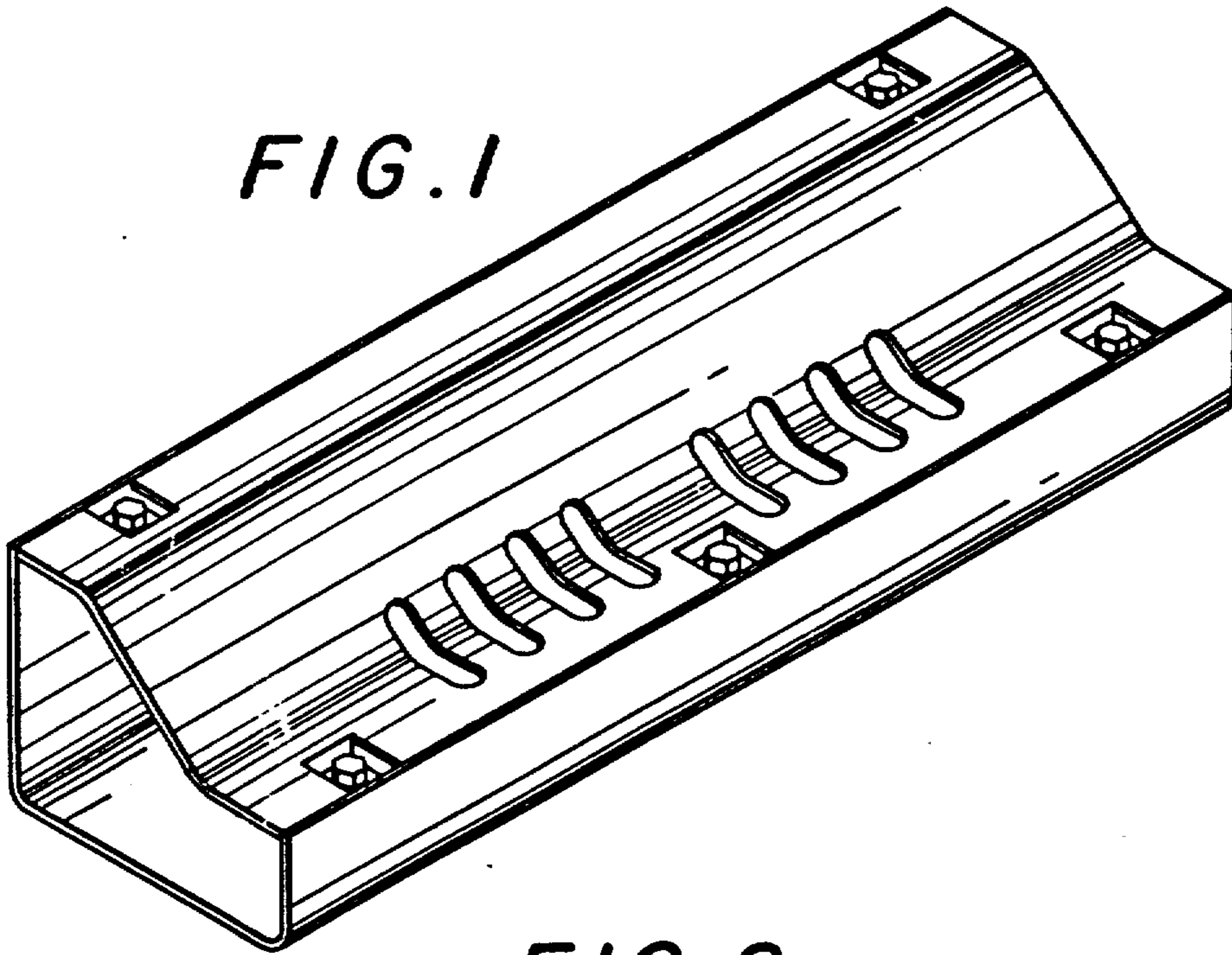


FIG. 2

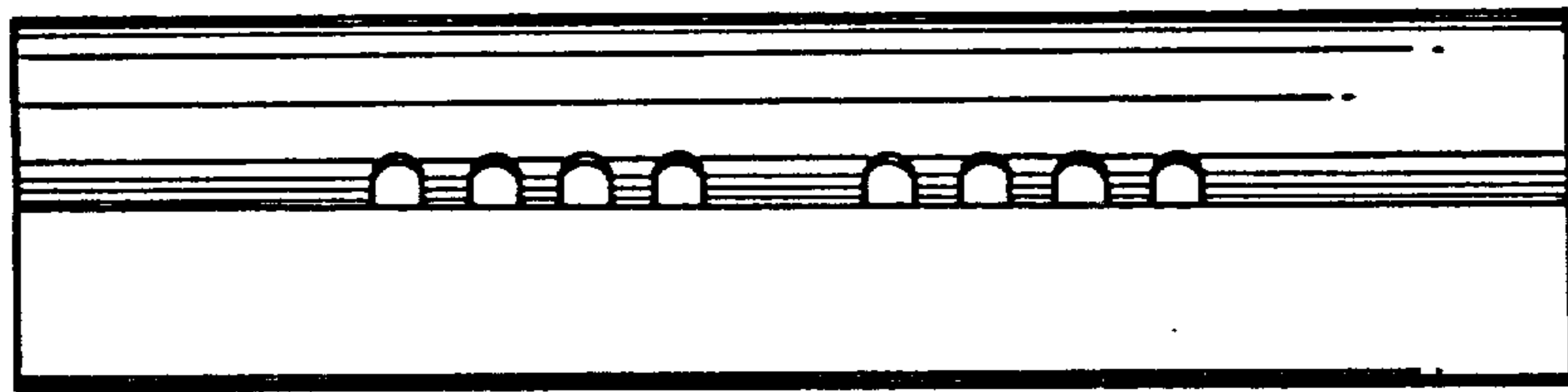


FIG. 3

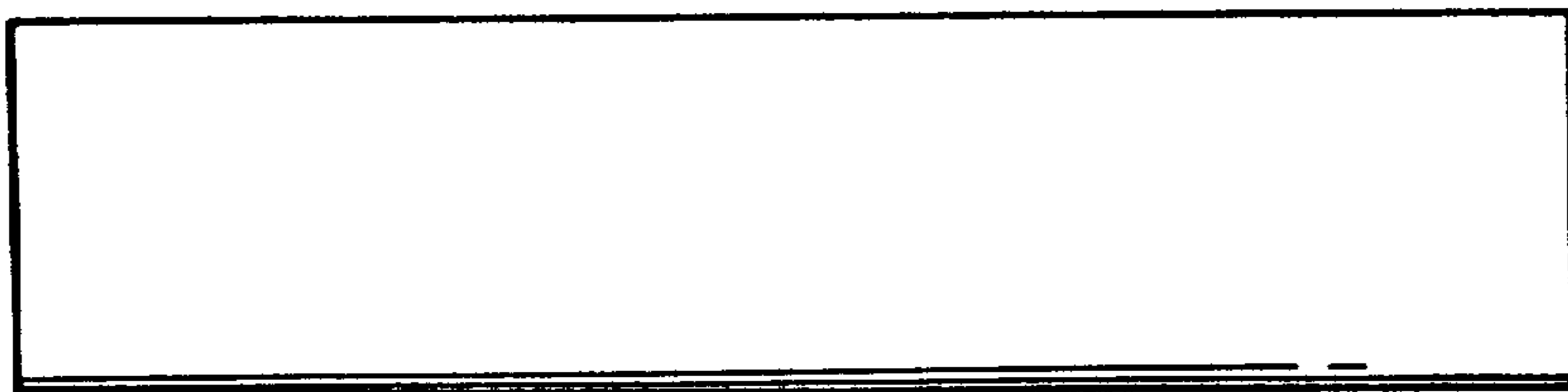


FIG. 4

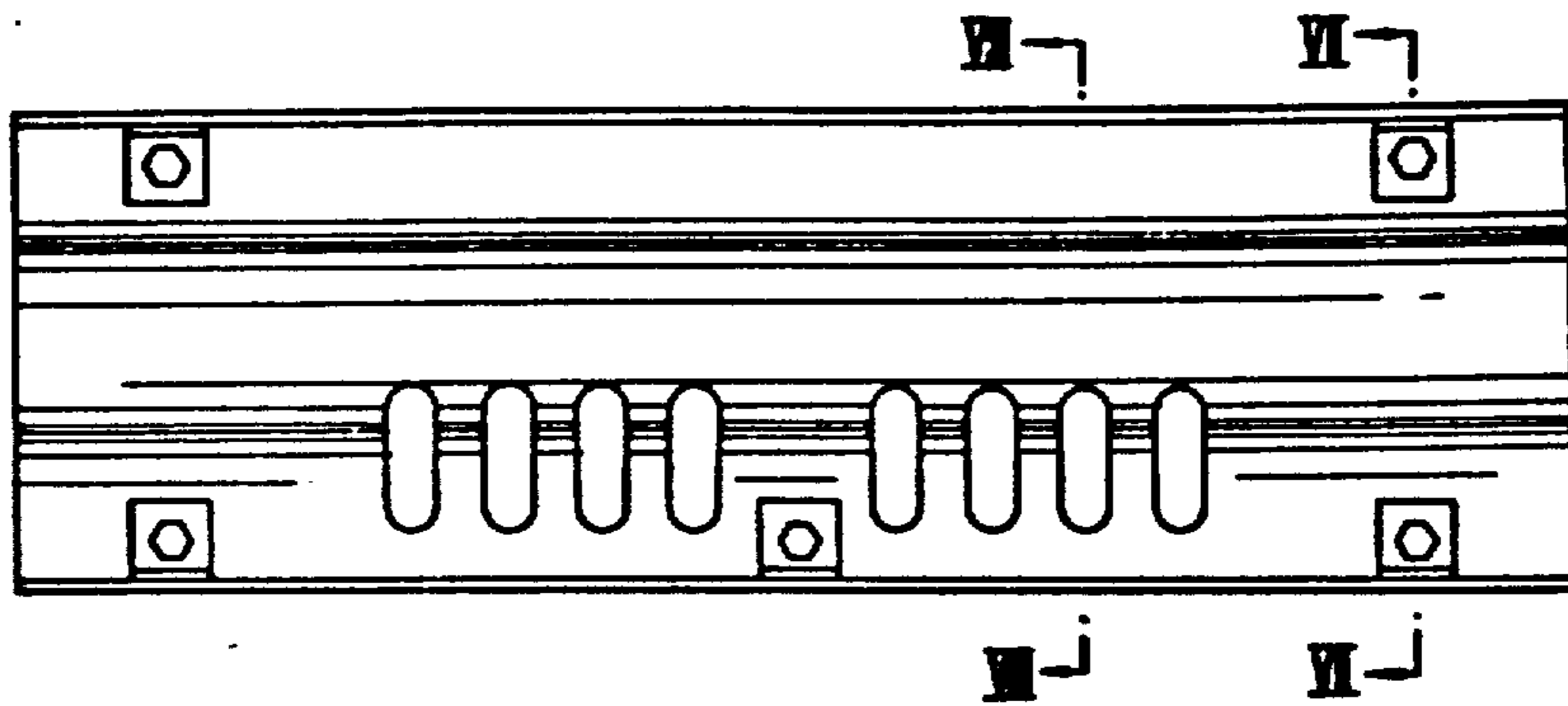


FIG. 5

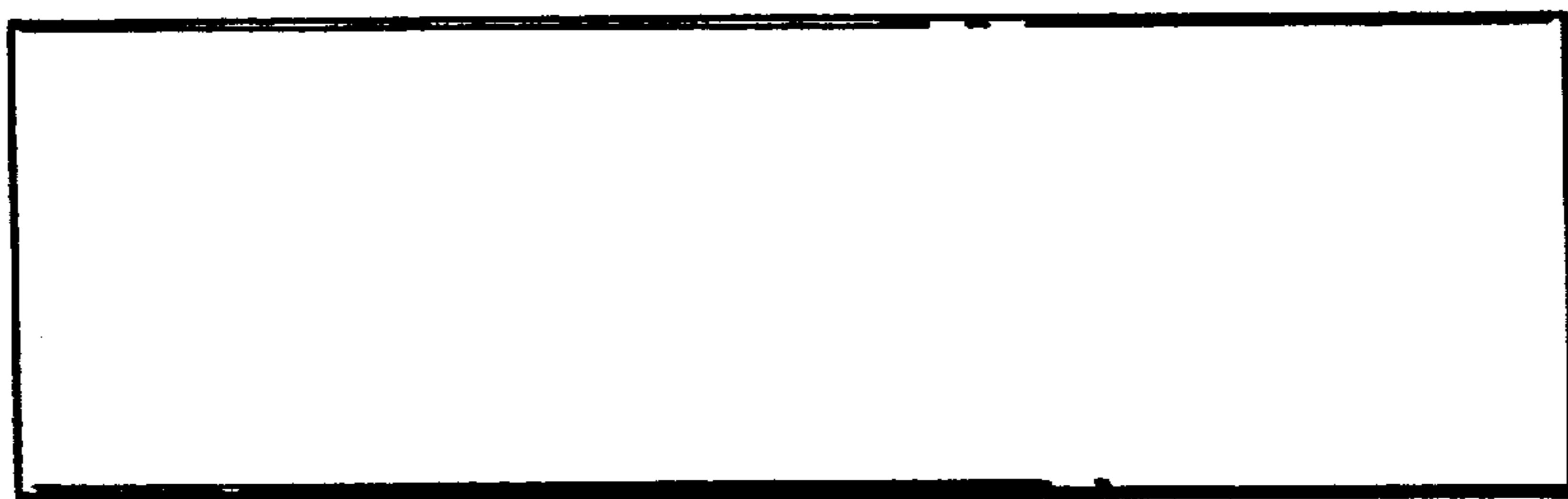


FIG. 6

FIG. 7

FIG. 8

