

[54] **WATER CLOSET COVER**

[76] Inventor: **Nancy Mardesich Halvorsen**, 215 Alhambra Ave., Santa Cruz, Calif. 95060

[**] Term: **7 Years**

[21] Appl. No.: **517,956**

[44] Published under the second Trial Voluntary Protest Program on April 6, 1976 as document No. B 517,956.

[22] Filed: **Oct. 25, 1974**

[51] Int. Cl. **D23-02**

[52] U.S. Cl. **D23/71**

[58] Field of Search **D23/48, 49, 53, 65-67, D23/69-71; 4/1, 134, 234, 239; D6/5, 7**

[56] **References Cited**

U.S. PATENT DOCUMENTS

2,658,201 11/1958 Sherwood 4/1

2,749,968 6/1956 Suser 4/1 X

3,245,090 4/1966 Slimmer 4/134

3,716,872 2/1973 Zieman 4/1

D. 112,045 11/1938 Roberts D6/7

D. 144,771 5/1946 Engman et al. D23/53

D. 203,435 1/1966 Sellars, Jr. et al. D23/53

D. 213,958 4/1949 Ruggles D23/71

D. 217,248 4/1970 Basner D23/71

Primary Examiner—James R. Largen
Attorney, Agent, or Firm—Thomas E. Schatze

[57] **CLAIM**

The ornamental design for a water closet cover, substantially as shown.

DESCRIPTION

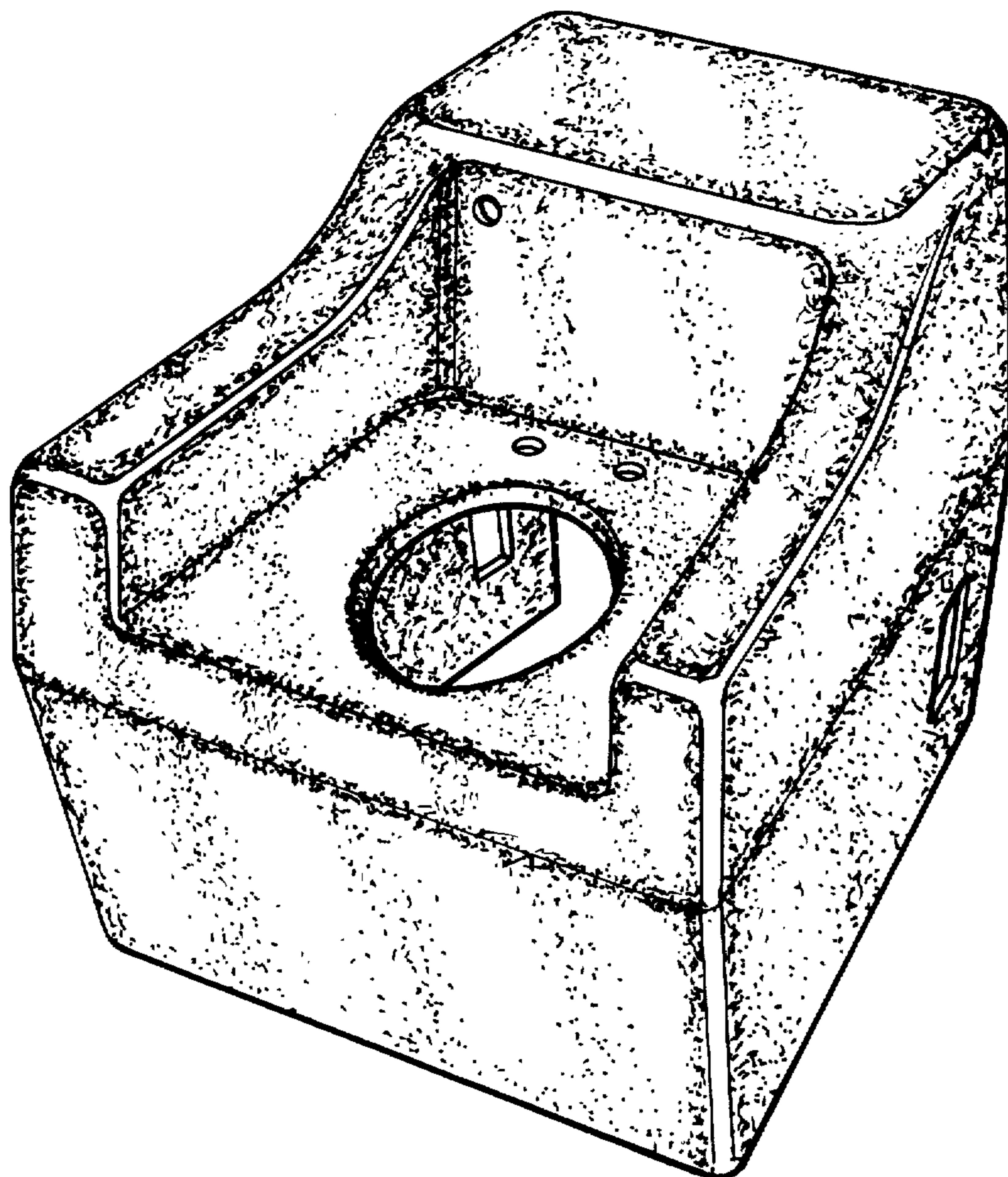
FIG. 1 is a perspective view of a water closet cover showing my new design;

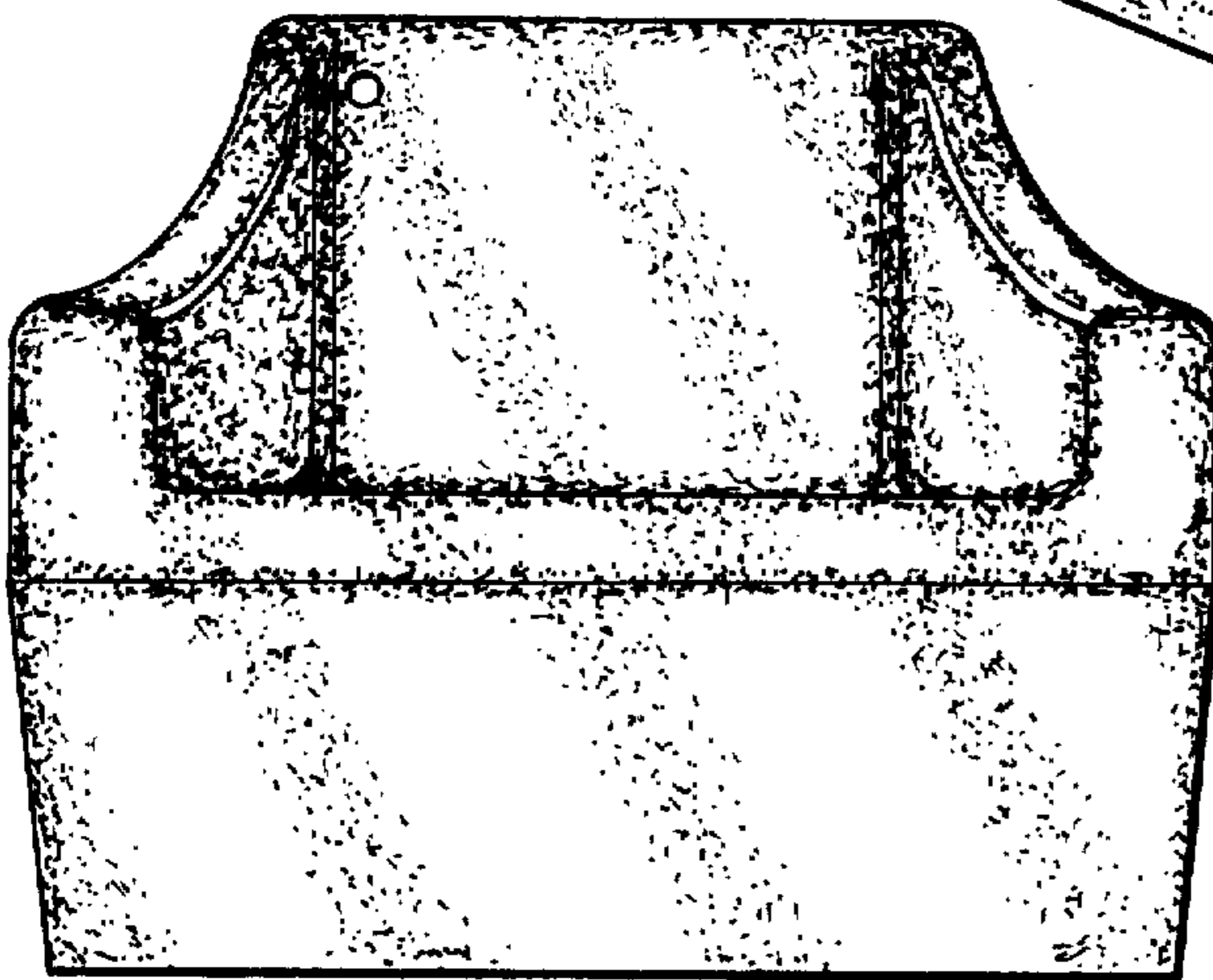
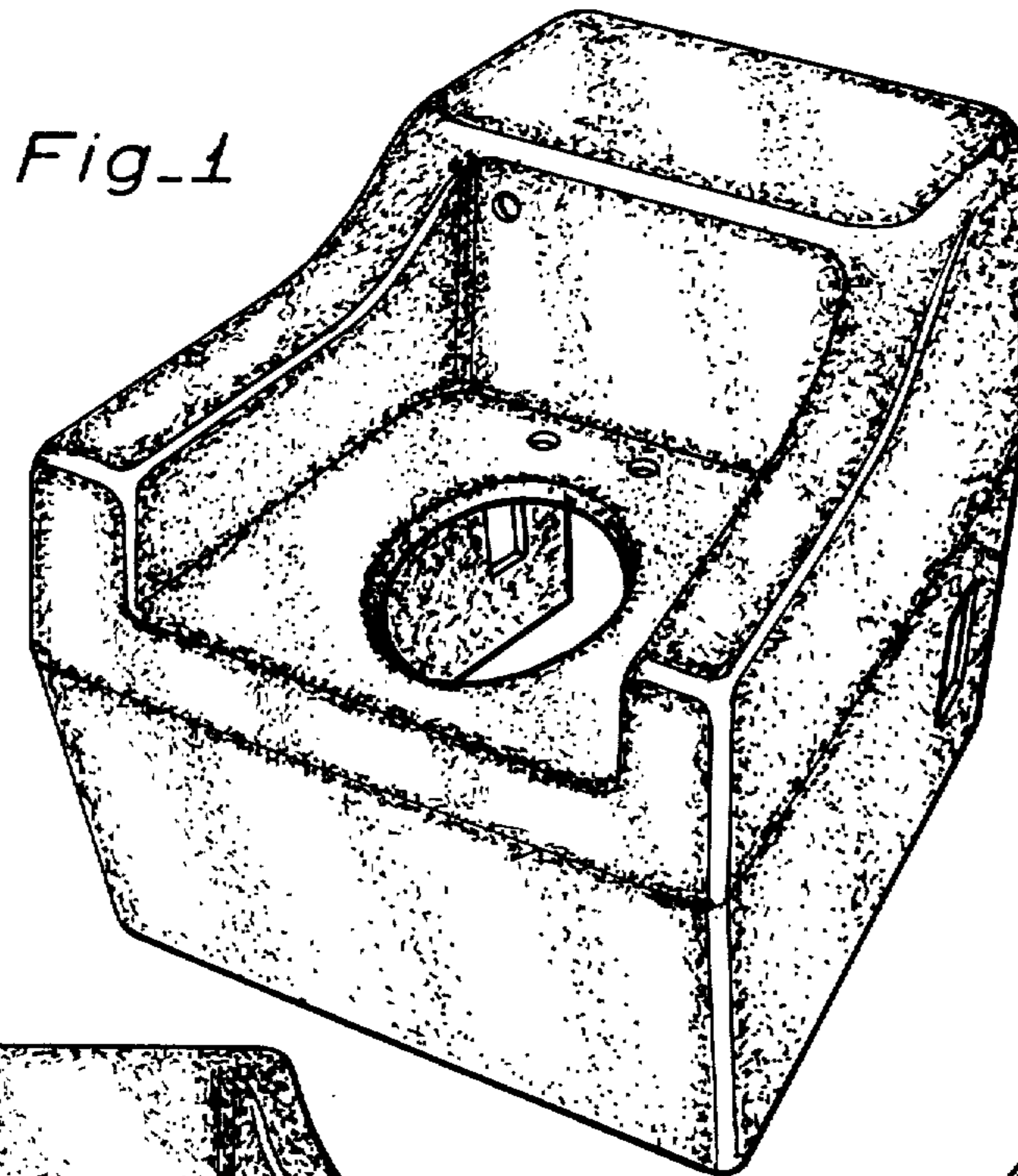
FIG. 2 is a front elevation thereof;

FIG. 3 is a left side elevation thereof;

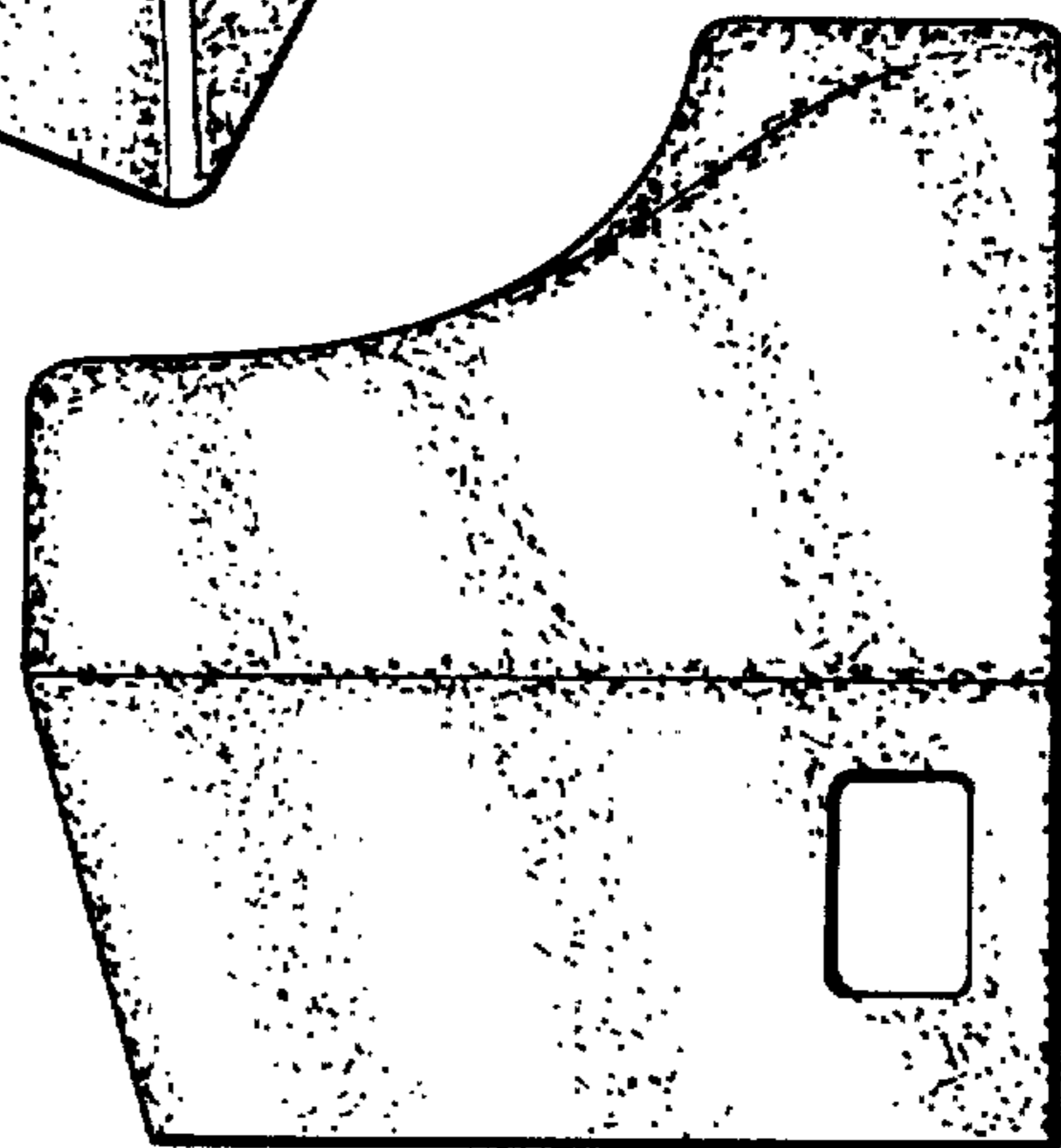
FIG. 4 is a top plan view thereof; and

FIG. 5 is a rear elevation thereof.

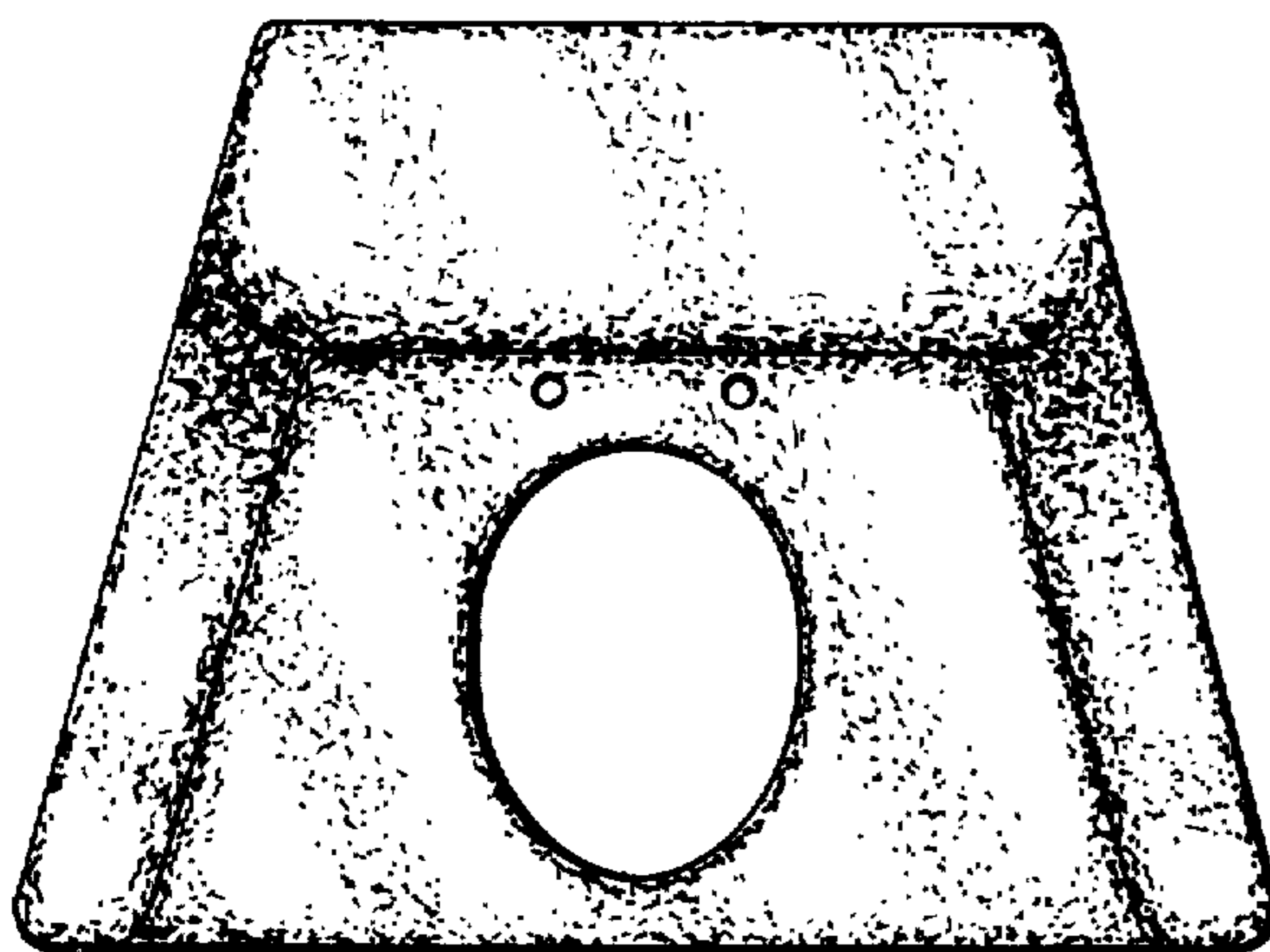




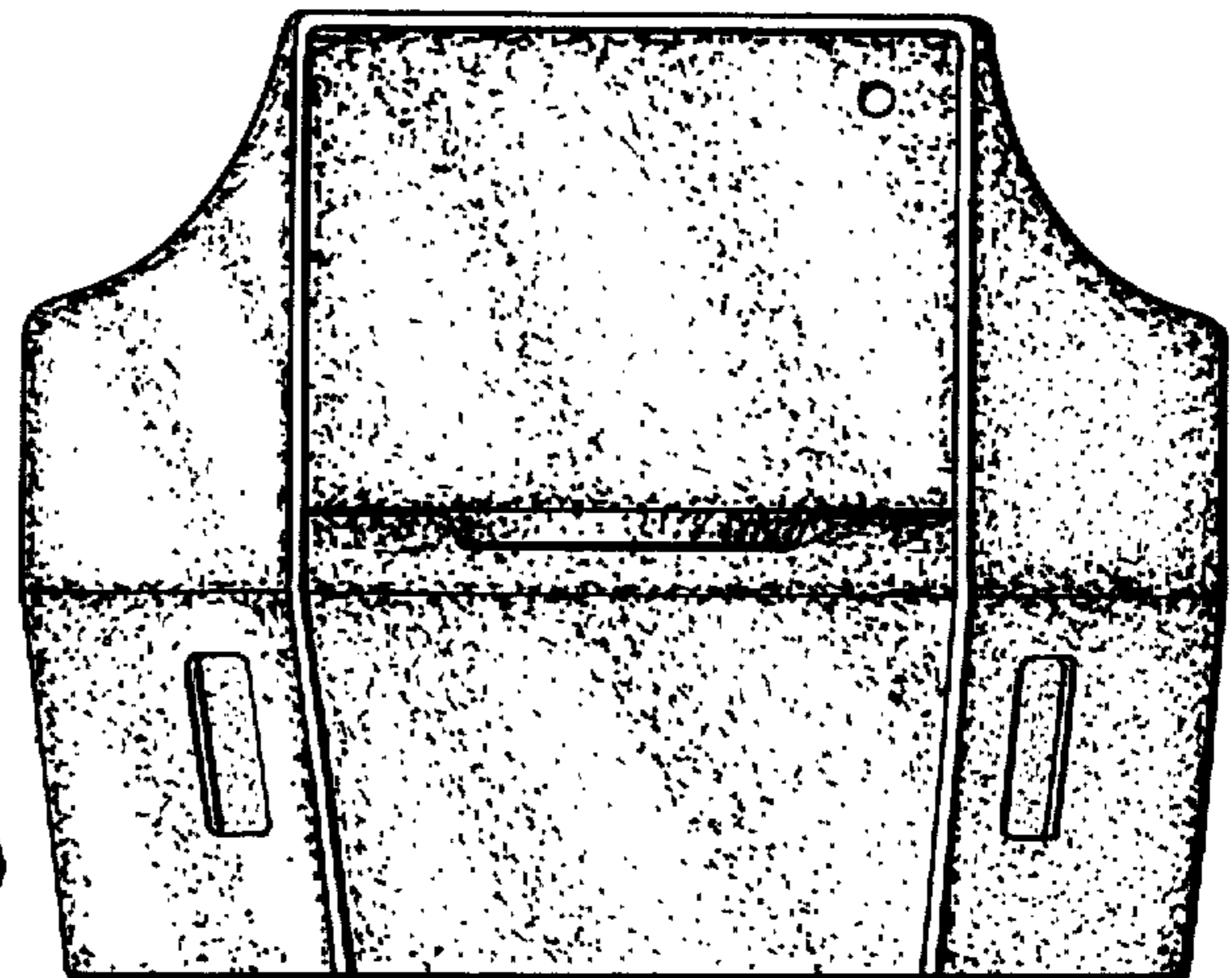
Fig_2



Fig_3



Fig_4



Fig_5