

[54] **TRAFFIC CHANNELIZATION DRUM OR THE LIKE**

[75] Inventors: **Jack H. Kulp**, San Juan Capistrano, Calif.; **James M. Florsheim**, Northbrook, Ill.

[73] Assignee: **Royal Industries, Inc.**, Pasadena, Calif.

[**] Term: **14 Years**

[21] Appl. No.: **678,309**

[22] Filed: **Apr. 19, 1976**

[51] Int. Cl. **D10-06**

[52] U.S. Cl. **D10/109**

[58] Field of Search 116/63 R, 63 P, 63 C; 404/9, 10, 11, 12; 256/1, 64; D10/109, 114

[56] **References Cited**

U.S. PATENT DOCUMENTS

3,496,904 2/1970 Rimkus D10/109 UX

3,916,816 11/1975 Fitch 116/63 P

D. 218,719 9/1970 Peters D10/109

D. 229,784 1/1974 Carter D10/109

FOREIGN PATENT DOCUMENTS

456,267 3/1950 Italy 116/63 P

Primary Examiner—Susie J. Mercer
Attorney, Agent, or Firm—Robert L. Parker

[57] **CLAIM**

The ornamental design for a traffic channelization drum or the like, as shown and described.

DESCRIPTION

FIG. 1 is a front perspective view of a traffic channelization drum or the like showing our new design; FIG. 2 is a left-hand end view thereof, the right-hand end view being a mirror image; FIG. 3 is a rear end view thereof; FIG. 4 is a front end view thereof, and FIG. 5 is a bottom plan view thereof.

The drum is stippled to indicate contrast. The warning light is shown in broken lines in FIGS. 1, 2, 3 and 4 for illustrative purposes only.

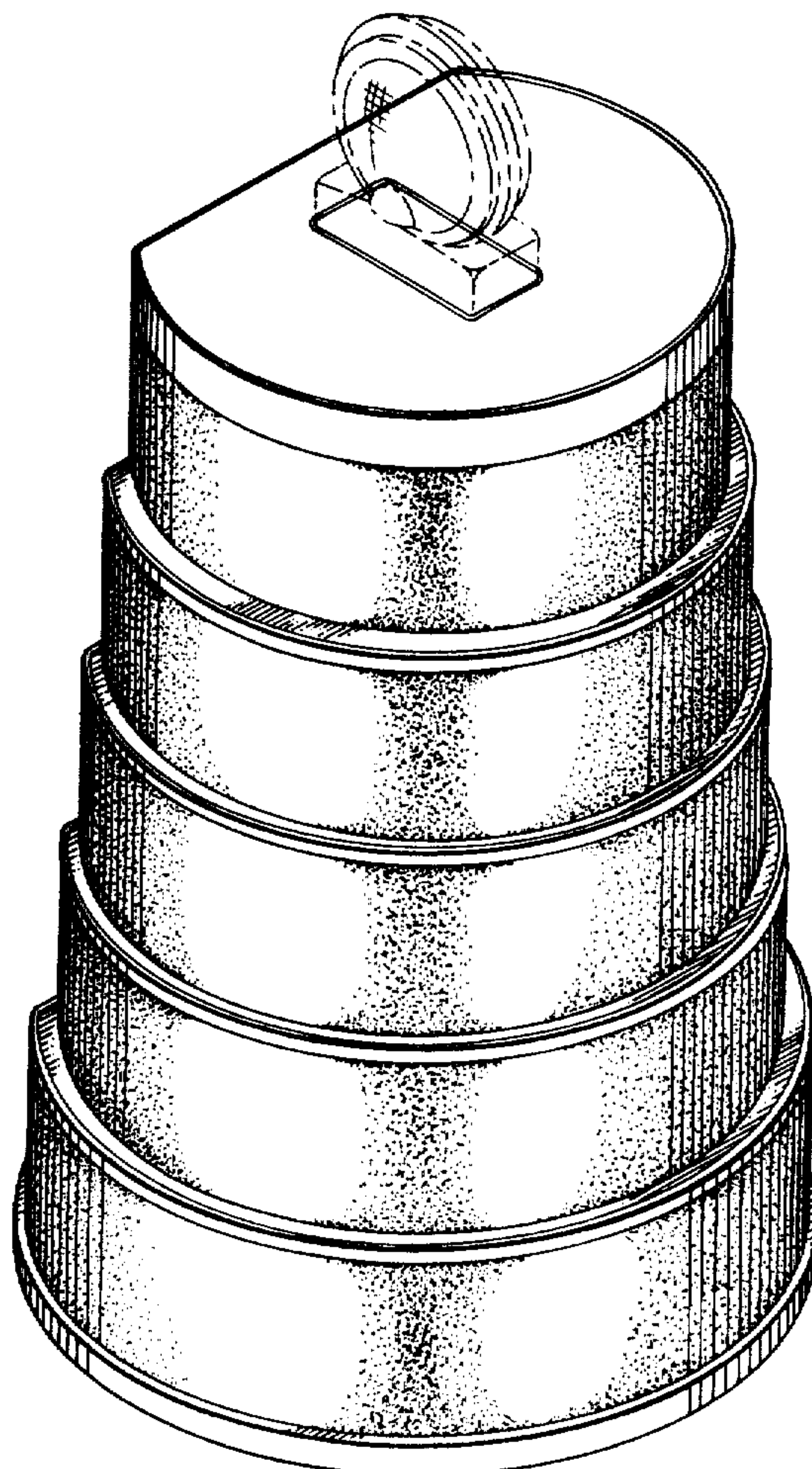


Fig. 1

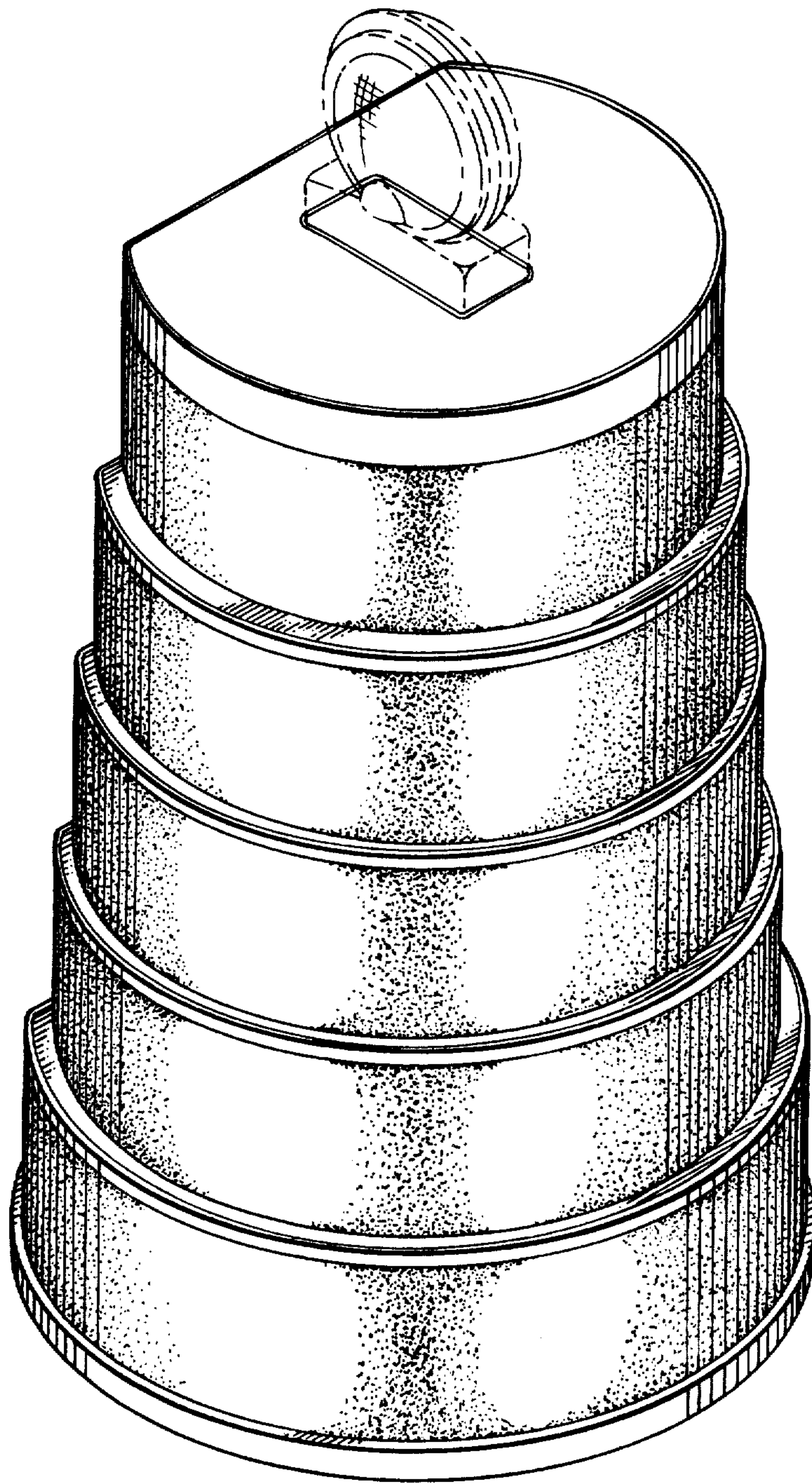


Fig. 2

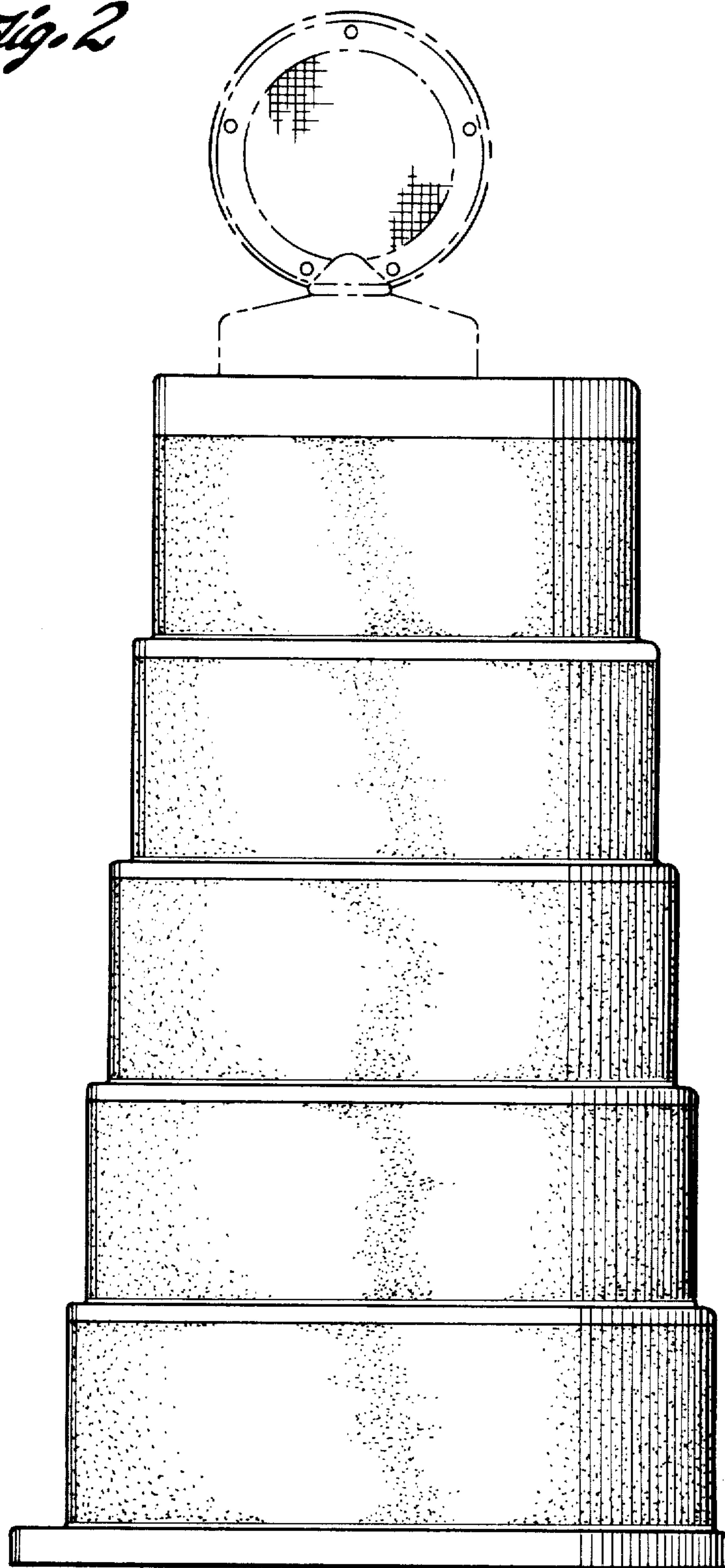


Fig. 3

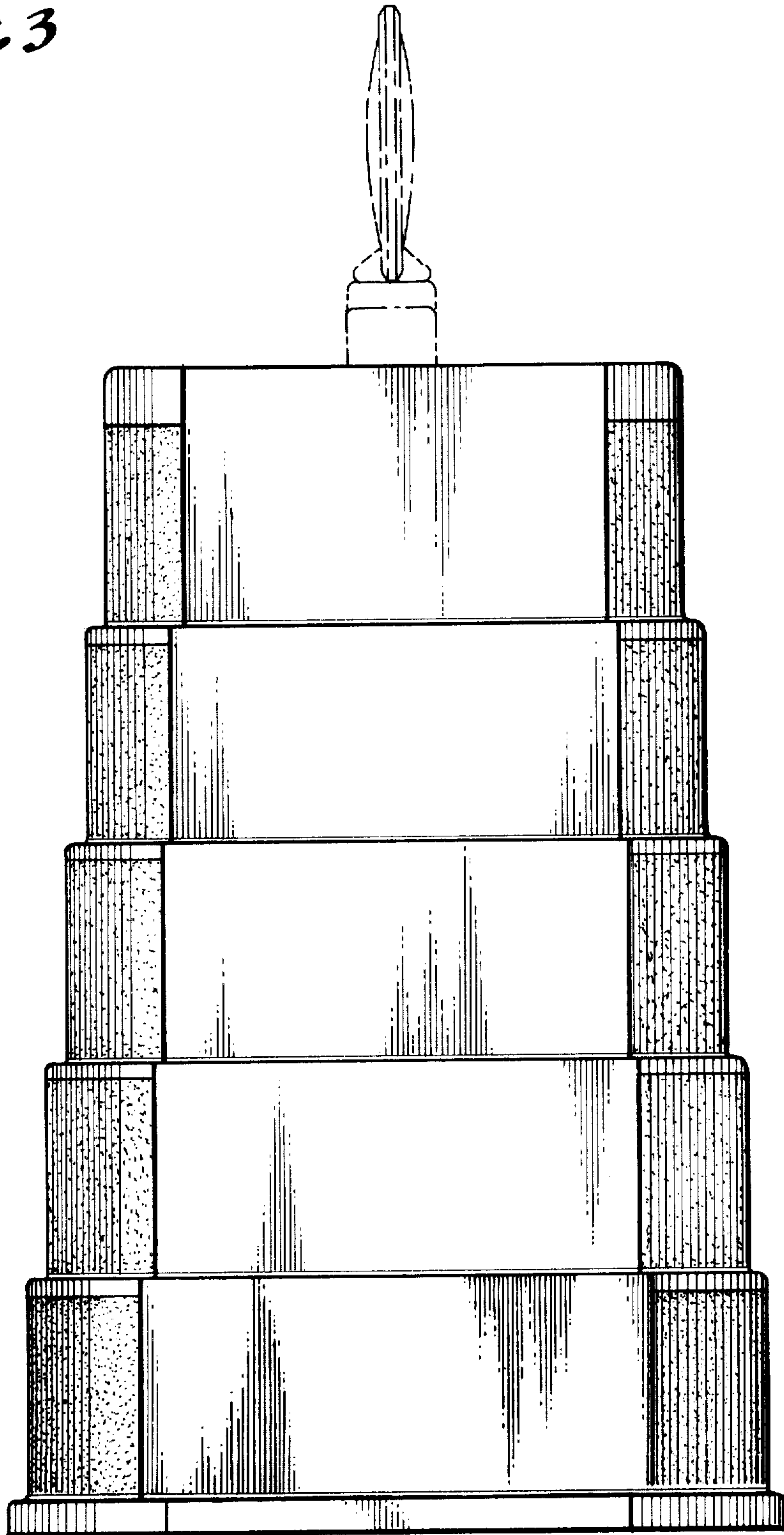
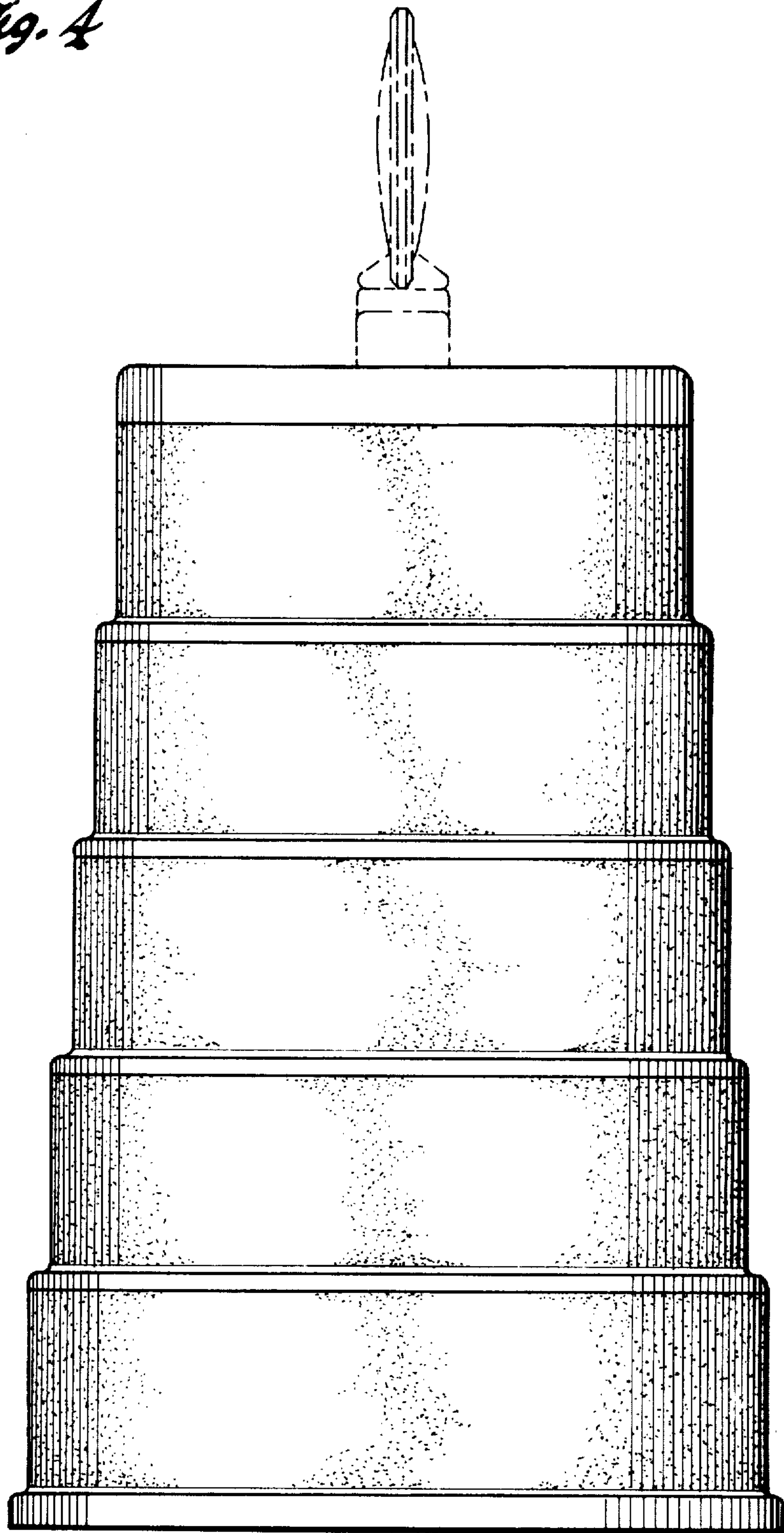


Fig. 4



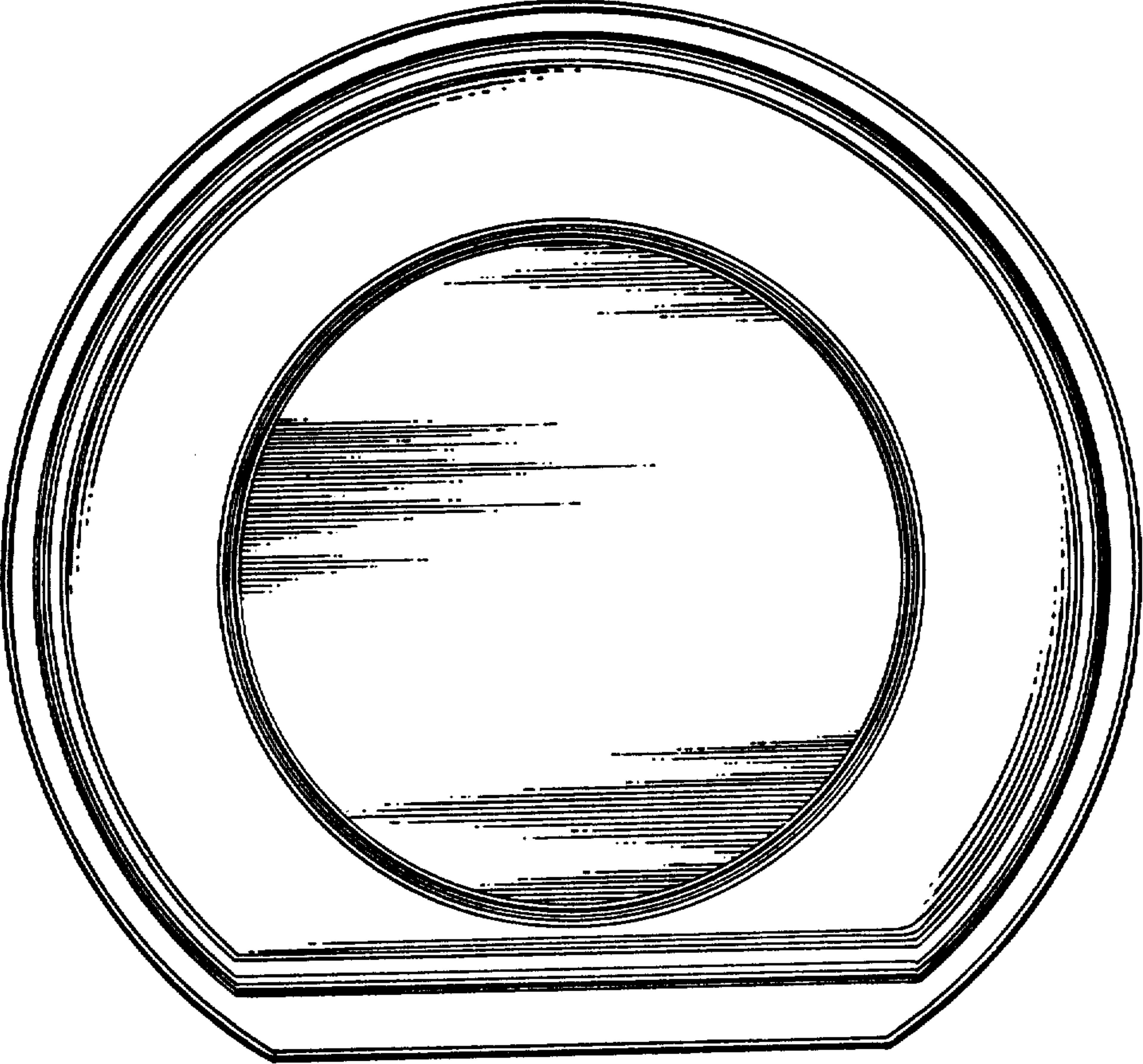


Fig. 5