

[54] **TRAFFIC CHANNELIZATION DRUM OR THE LIKE**

3,916,816 11/1975 Fitch ..... 116/63 P  
D. 218,719 9/1970 Peters ..... D10/109  
D. 229,784 1/1974 Carter ..... D10/109

[75] **Inventors:** Jack H. Kulp, San Juan Capistrano, Calif.; James M. Florsheim, Northbrook, Ill.

**FOREIGN PATENT DOCUMENTS**

456,267 3/1950 Italy ..... 116/63 P

[73] **Assignee:** Royal Industries, Inc., Pasadena, Calif.

*Primary Examiner*—Susie J. Mercer  
*Attorney, Agent, or Firm*—Robert L. Parker

[\*\*] **Term:** 14 Years

[21] **Appl. No.:** 678,308

[57] **CLAIM**

[22] **Filed:** Apr. 19, 1976

The ornamental design for a traffic channelization drum or the like, as shown and described.

[51] **Int. Cl.** ..... D10-06

**DESCRIPTION**

[52] **U.S. Cl.** ..... D10/109

[58] **Field of Search** ..... 116/63 R, 63 P, 63 C; 404/9, 10, 11, 12; 256/1, 64; D10/109, 114

FIG. 1 is a front perspective view of a traffic channelization drum or the like showing our new design;

FIG. 2 is a left-hand end view thereof, the right-hand view being a mirror image;

FIG. 3 is a rear end view thereof;

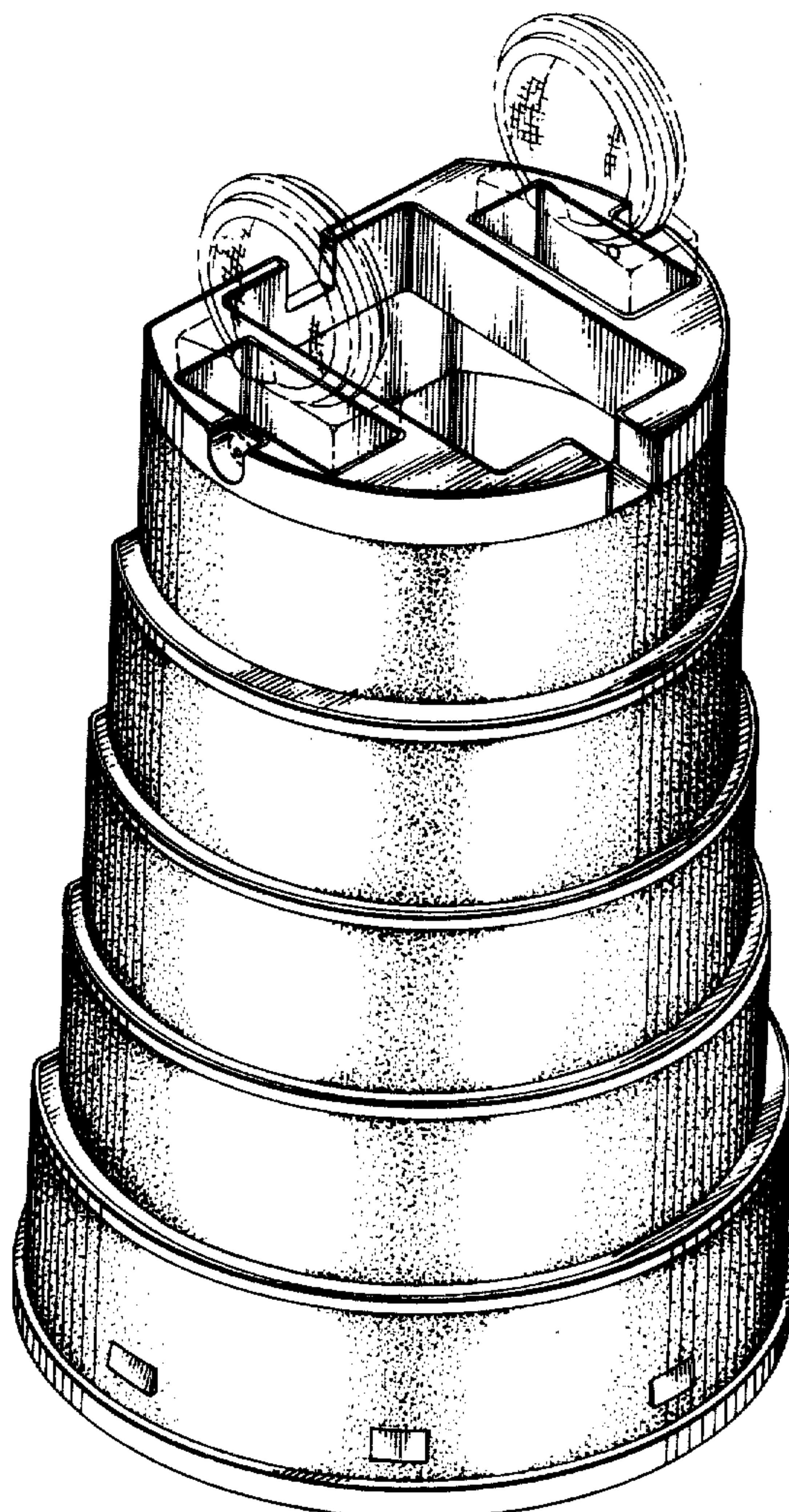
FIG. 4 is a front end view thereof, and

FIG. 5 is a bottom plan view thereof.

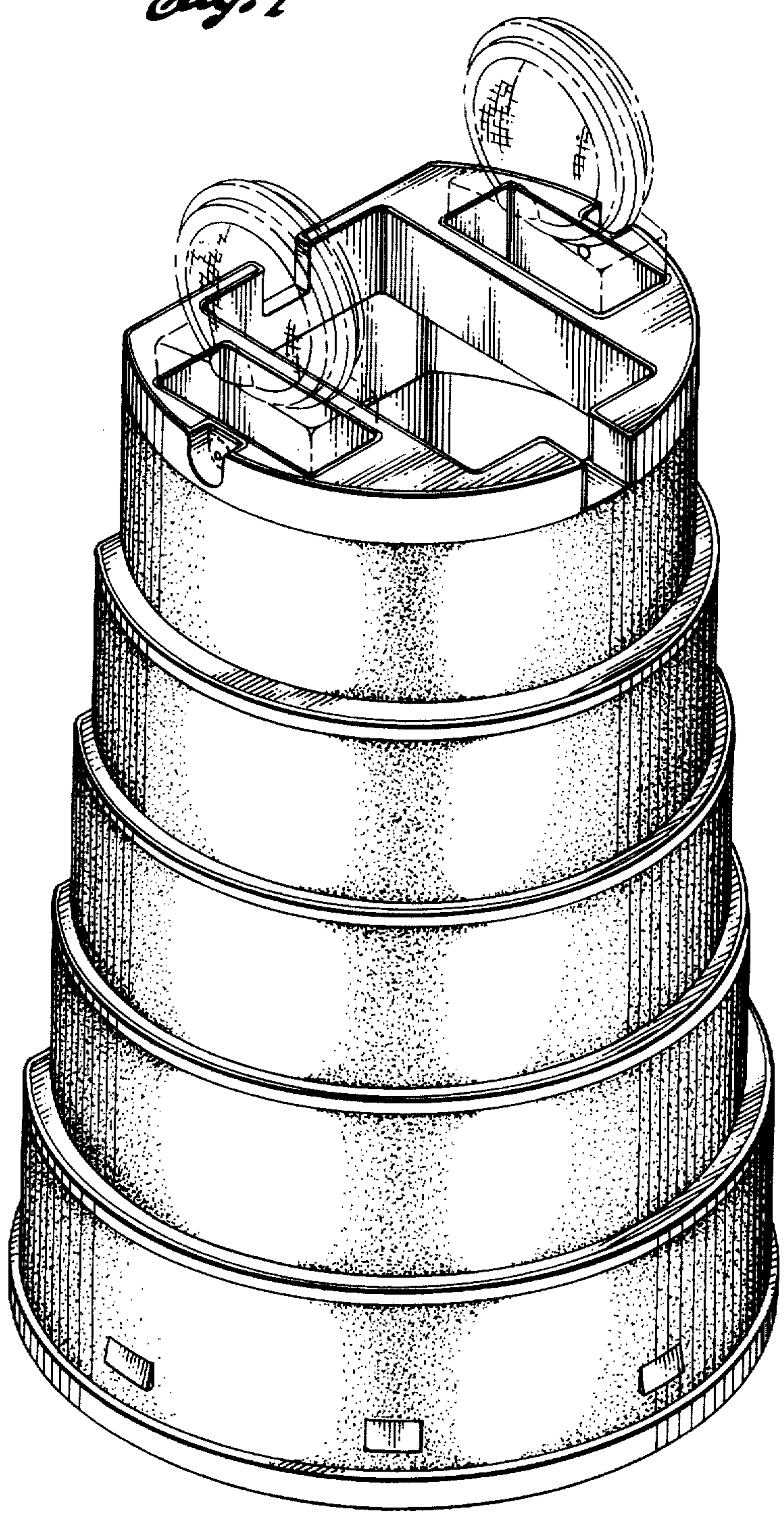
[56] **References Cited**

**U.S. PATENT DOCUMENTS**

3,496,904 2/1970 Rimkus ..... D10/109 UX

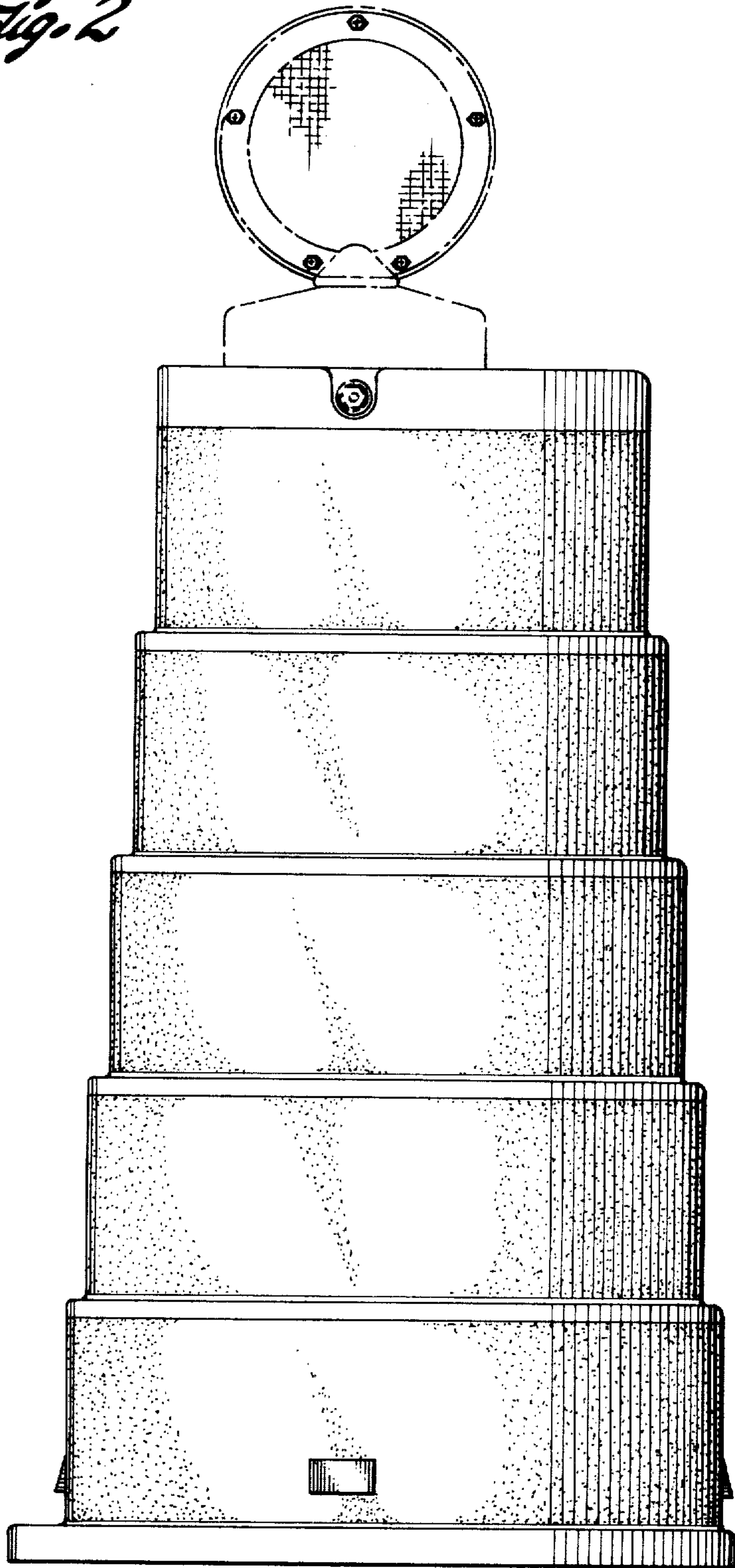


*Fig. 1*

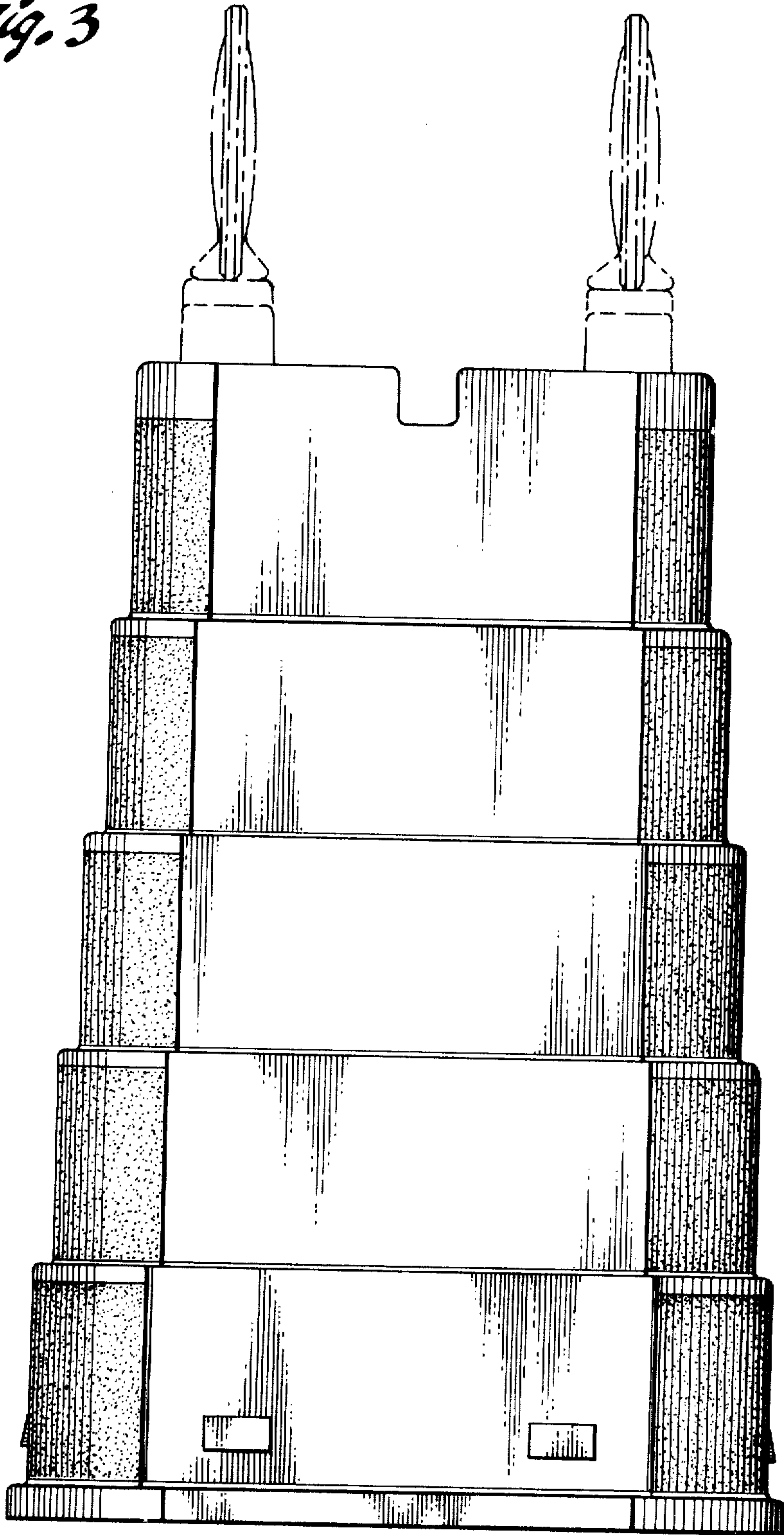




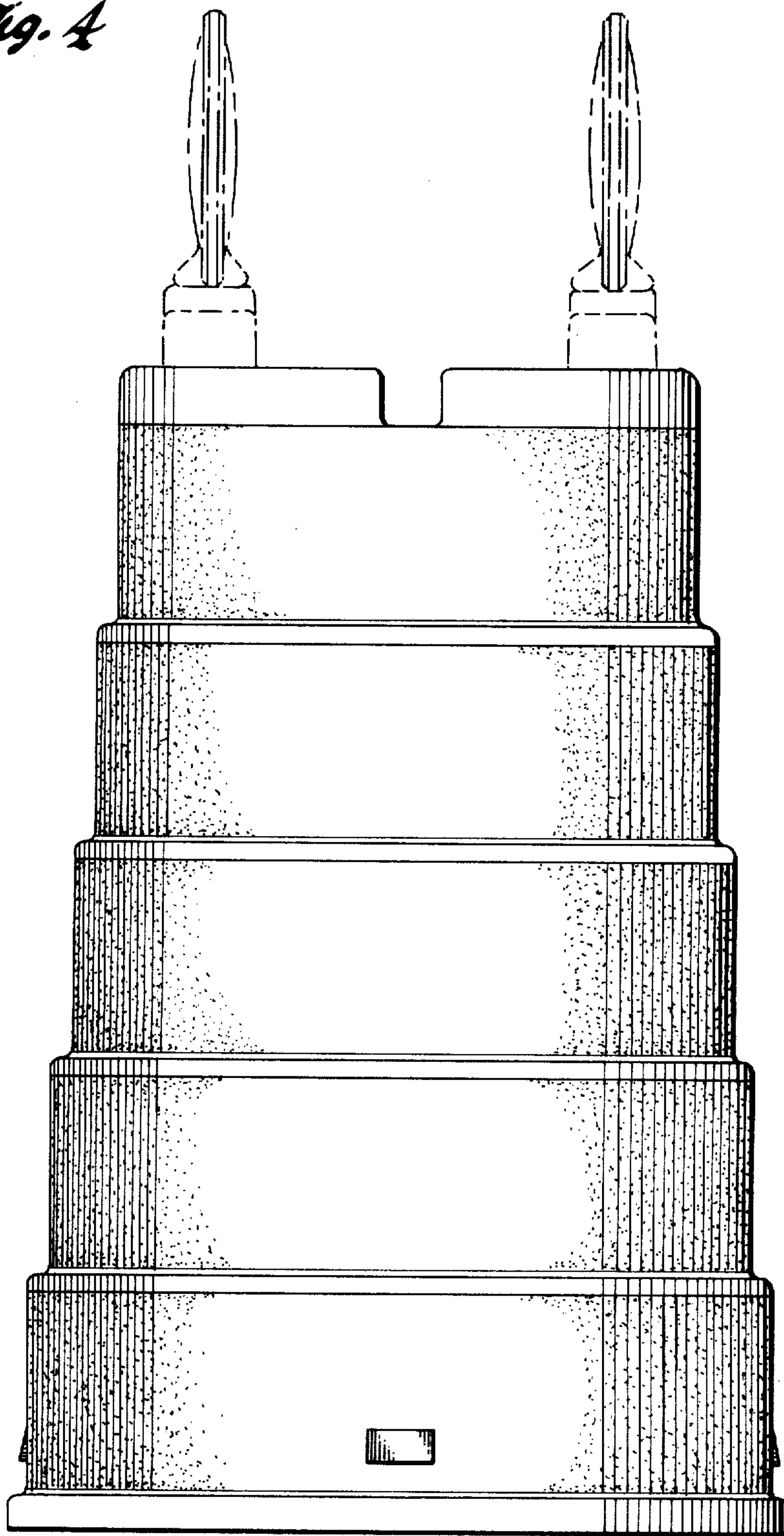
*Fig. 2*

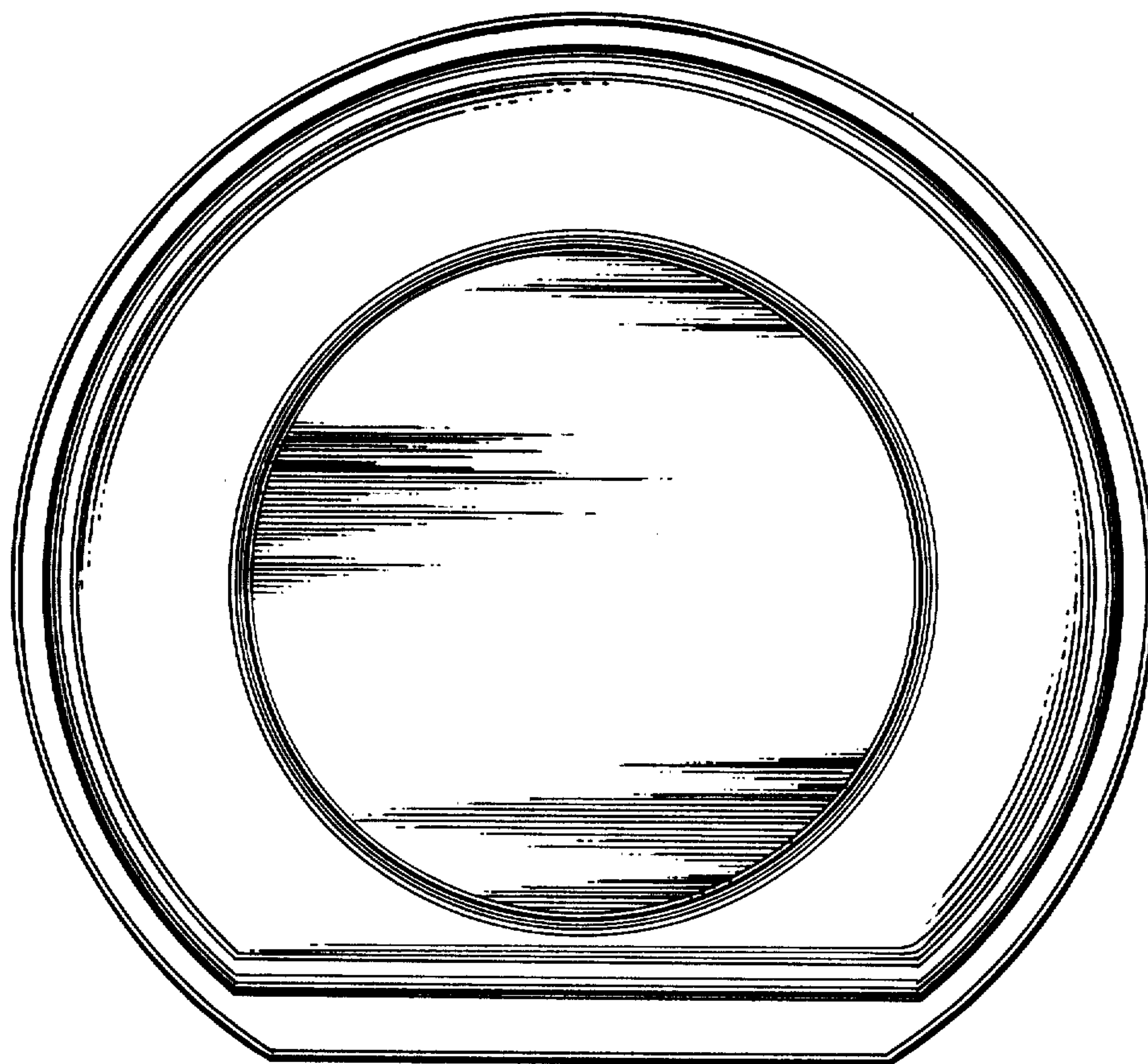


*Fig. 3*



*Fig. 4*





*Fig. 5*



UNITED STATES PATENT OFFICE  
CERTIFICATE OF CORRECTION

Patent No. Des. 243,073 Dated Jan. 18, 1977

Inventor(s) Jack H. Kulp and James M. Florsheim

It is certified that error appears in the above-identified patent and that said Letters Patent are hereby corrected as shown below:

On the Title Page, column 2, line 19 should read.

--The drum is stippled to indicate contrast.  
The warning lights are shown in broken lines in  
Figs. 1, 2, 3 and 4 for illustrative purposes only.--

**Signed and Sealed this**

**Twelfth Day of April 1977**

[SEAL]

*Attest:*

**RUTH C. MASON**  
*Attesting Officer*

**C. MARSHALL DANN**  
*Commissioner of Patents and Trademarks*