

- [54] MILK BOTTLE CRATE
- [75] Inventor: **Ralph Verni**, Baldwin, N.Y.
- [73] Assignee: **Kingly Products Corporation**, North Bellmore, N.Y.
- [**] Term: **14 Years**
- [21] Appl. No.: **596,436**
- [22] Filed: **July 16, 1975**

Related U.S. Application Data

- [63] Continuation-in-part of Ser. No. 443,007, Feb. 15, 1974, abandoned.
- [51] Int. Cl. **D9-04**
- [52] U.S. Cl. **D9/177**
- [58] Field of Search **D9/171, 176, 177, 224, D9/237, 240, 242, 243, 246, 248; D87/1 R; 206/72; 220/DIG. 2, 12-15, 71-74**

[56] **References Cited**

U.S. PATENT DOCUMENTS

- D. 220,471 4/1971 Frahm et al. **D9/177**
- D. 236,588 9/1975 Trapani **D9/177**

OTHER PUBLICATIONS

Modern Plastics, Aug. 1970, p. 21—Crates Atop Trash Can.

Primary Examiner—Melvin B. Feifer
Assistant Examiner—Louis S. Zarfes
Attorney, Agent, or Firm—Morris Kirschstein

[57] **CLAIM**

The ornamental design for a milk bottle crate, substantially as shown and described.

DESCRIPTION

FIG. 1 is a top plan view of a milk bottle crate showing my new design;
 FIG. 2 is a side elevational view of the milk bottle crate;
 FIG. 3 is an end elevational view of the milk bottle crate;
 FIG. 4 is a bottom plan view of the milk bottle crate;
 FIG. 5 is a sectional view taken substantially along the line 5—5 of FIG. 2;
 FIG. 6 is a sectional view taken substantially along the line 6—6 of FIG. 3;
 FIG. 7 is an enlarged fragmentary sectional view taken substantially along the line 7—7 of FIG. 2;
 FIG. 8 is a top plan view of a milk bottle crate showing a modified form of my new design.
 FIG. 9 is a side elevational view of the milk bottle crate shown in FIG. 8; and
 FIG. 10 is a bottom plan view of the milk bottle crate shown in FIG. 8.

The two ends of the milk bottle crate shown in FIG. 1 are identical. The two sides of the milk bottle crate shown in FIG. 1 are identical. All four sides of the milk bottle crate shown in FIG. 8 are identical. The milk bottle crate shown in FIG. 8 has the same appearance in cross section as is indicated by FIGS. 5 and 6 of the milk bottle crate shown in FIG. 1.

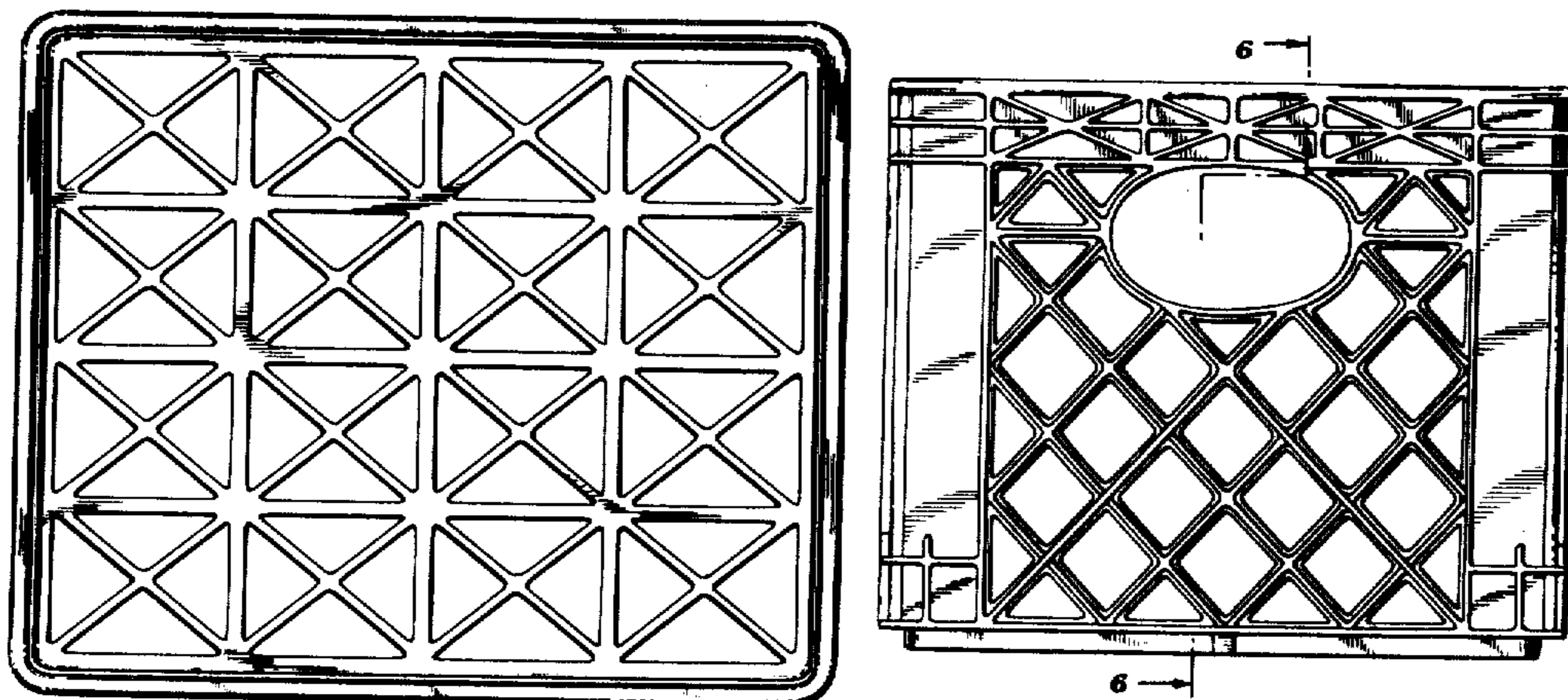


FIG. 1

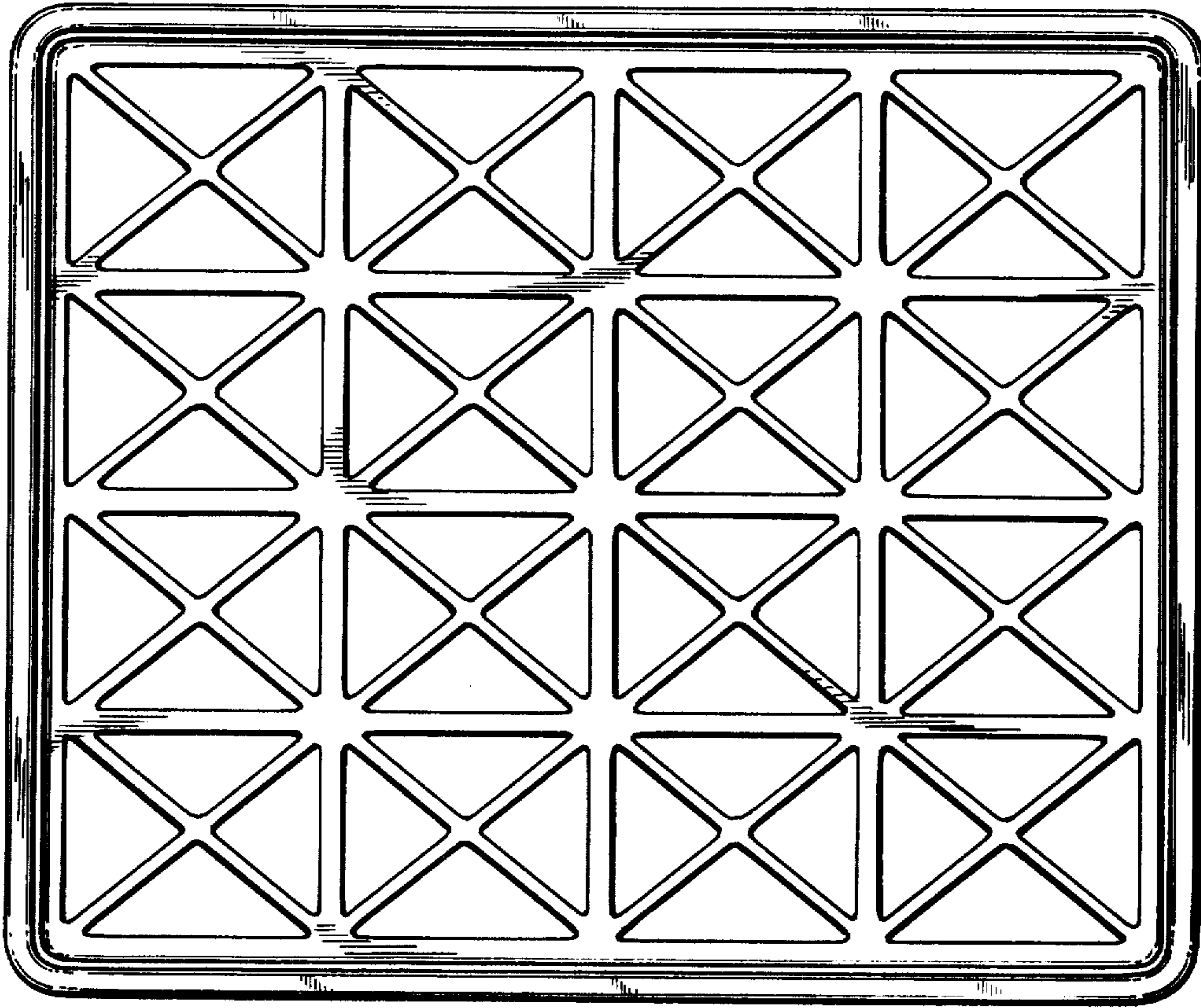


FIG. 2

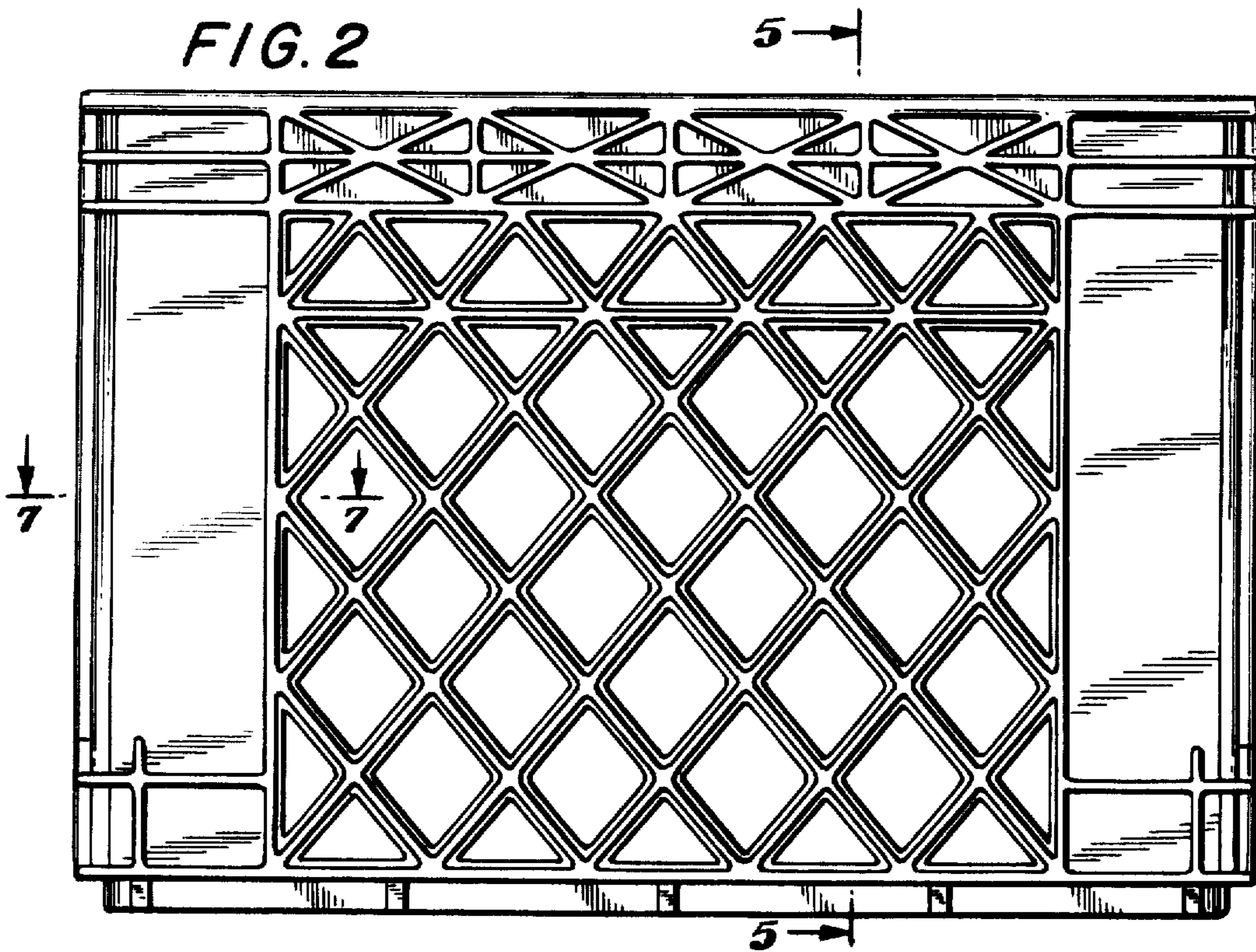


FIG. 3

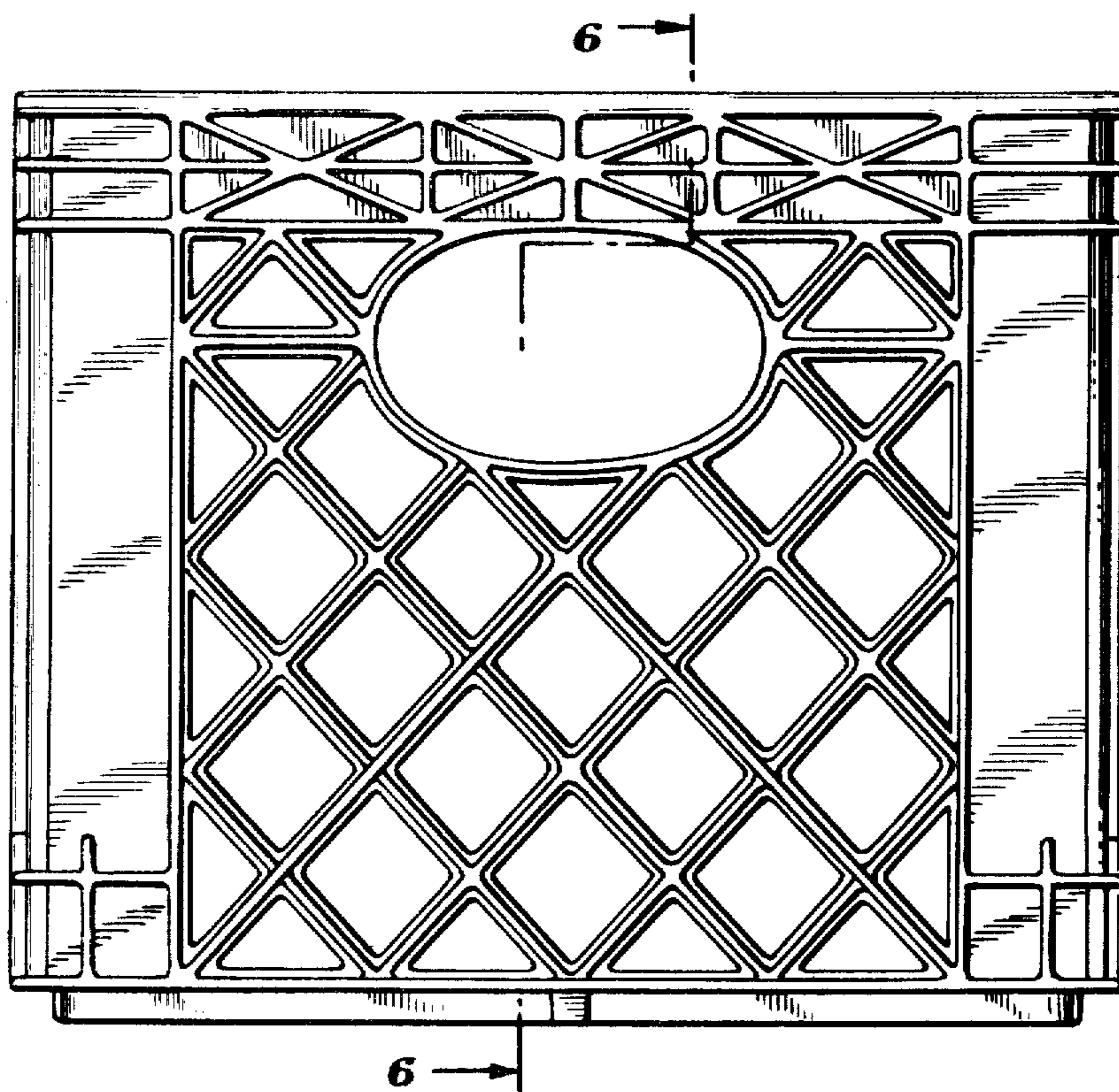


FIG. 4

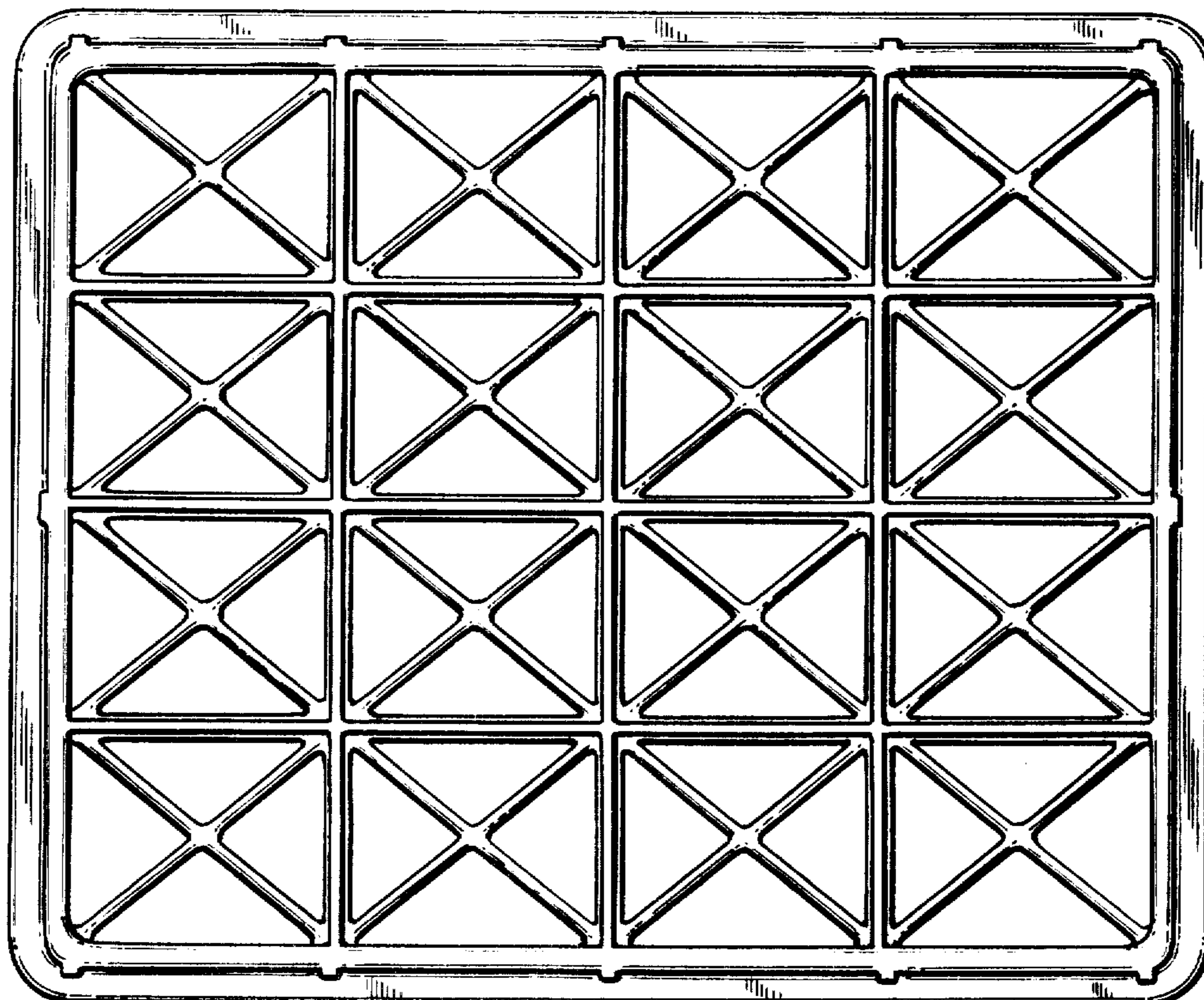


FIG. 5

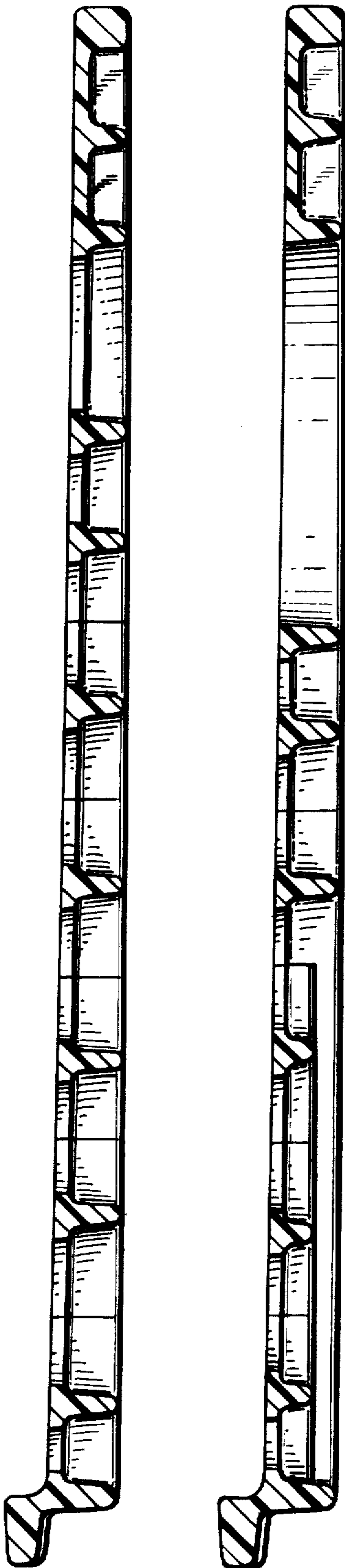


FIG. 6

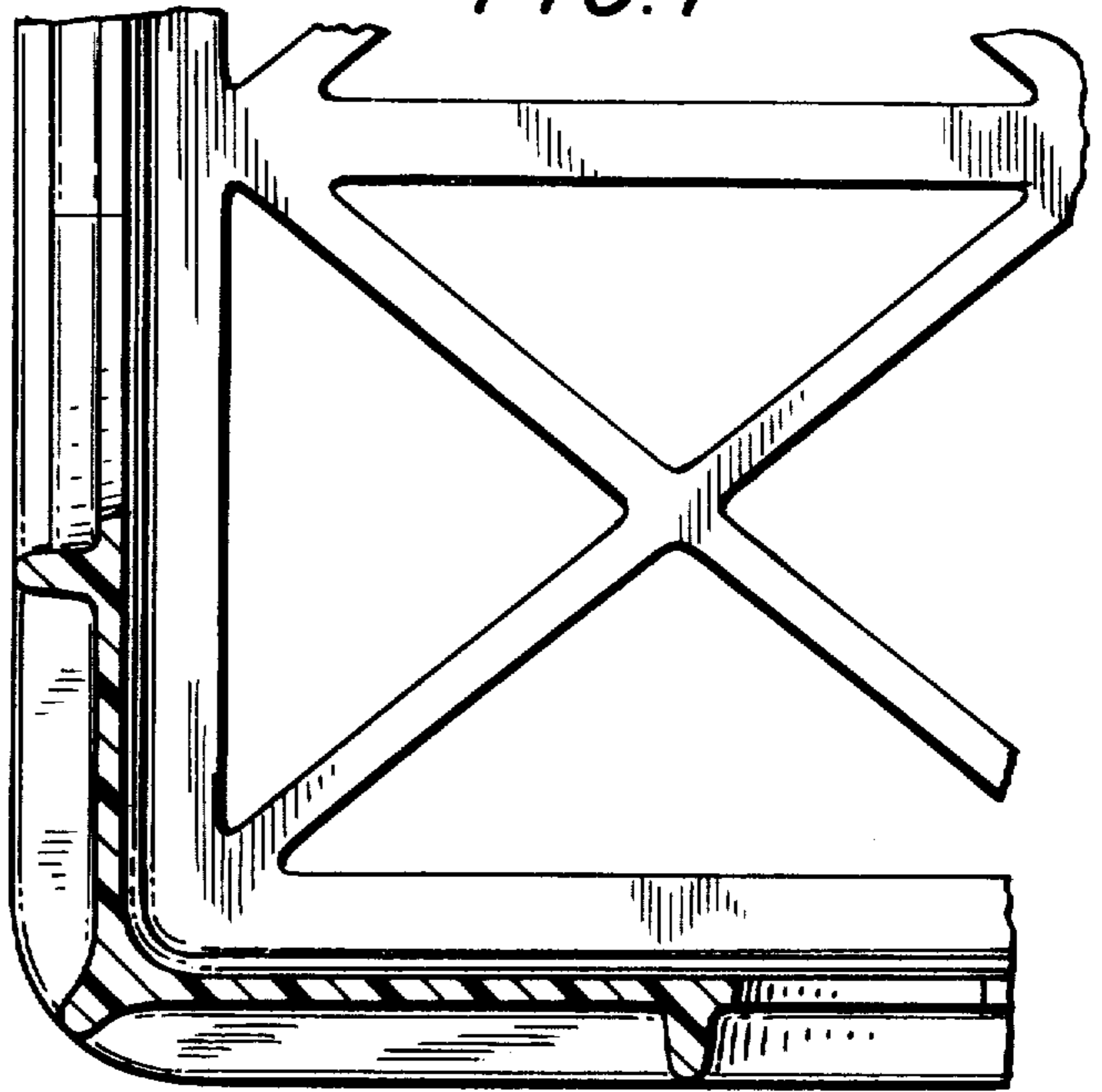


FIG. 7

FIG. 8

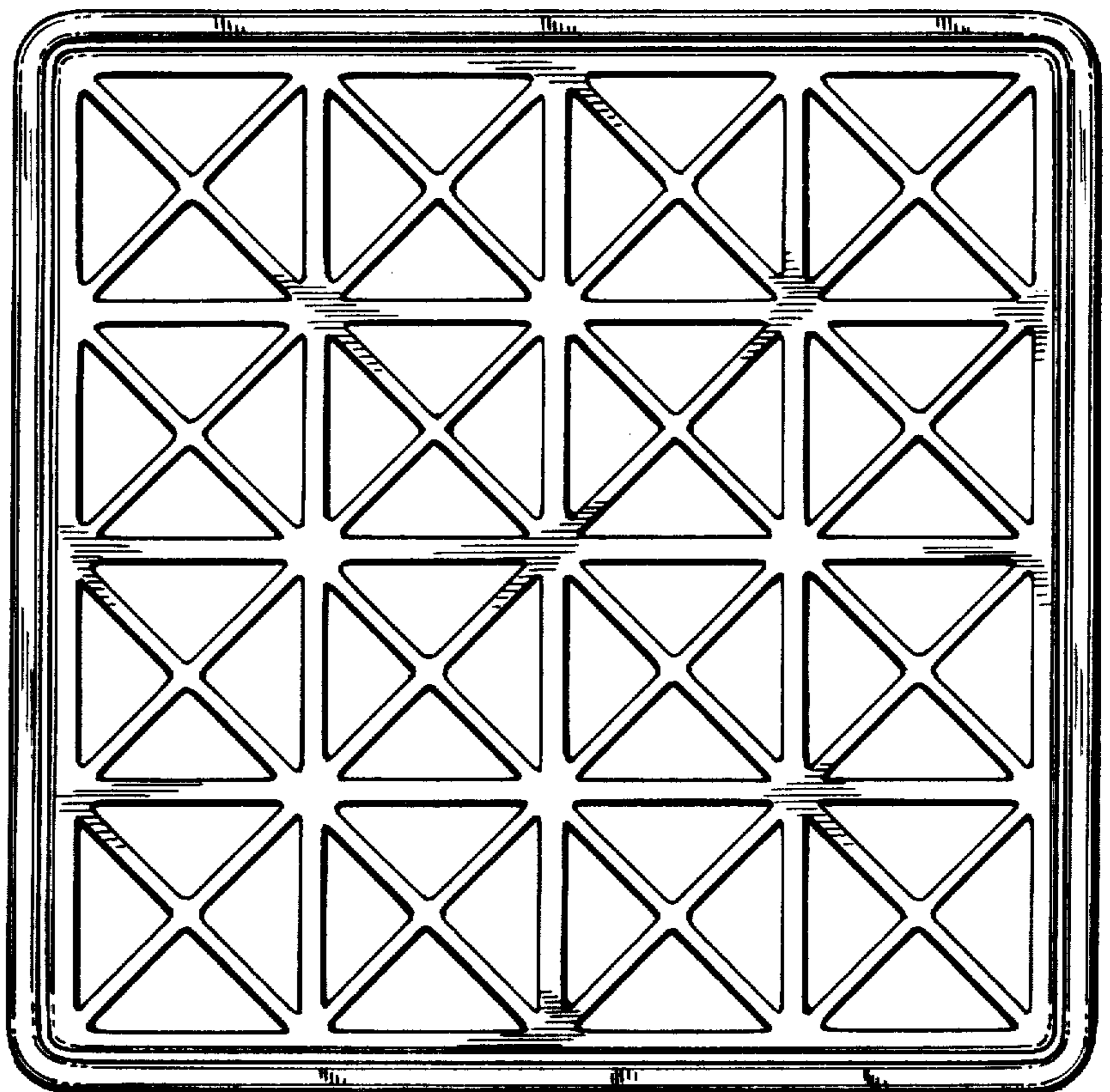


FIG. 9

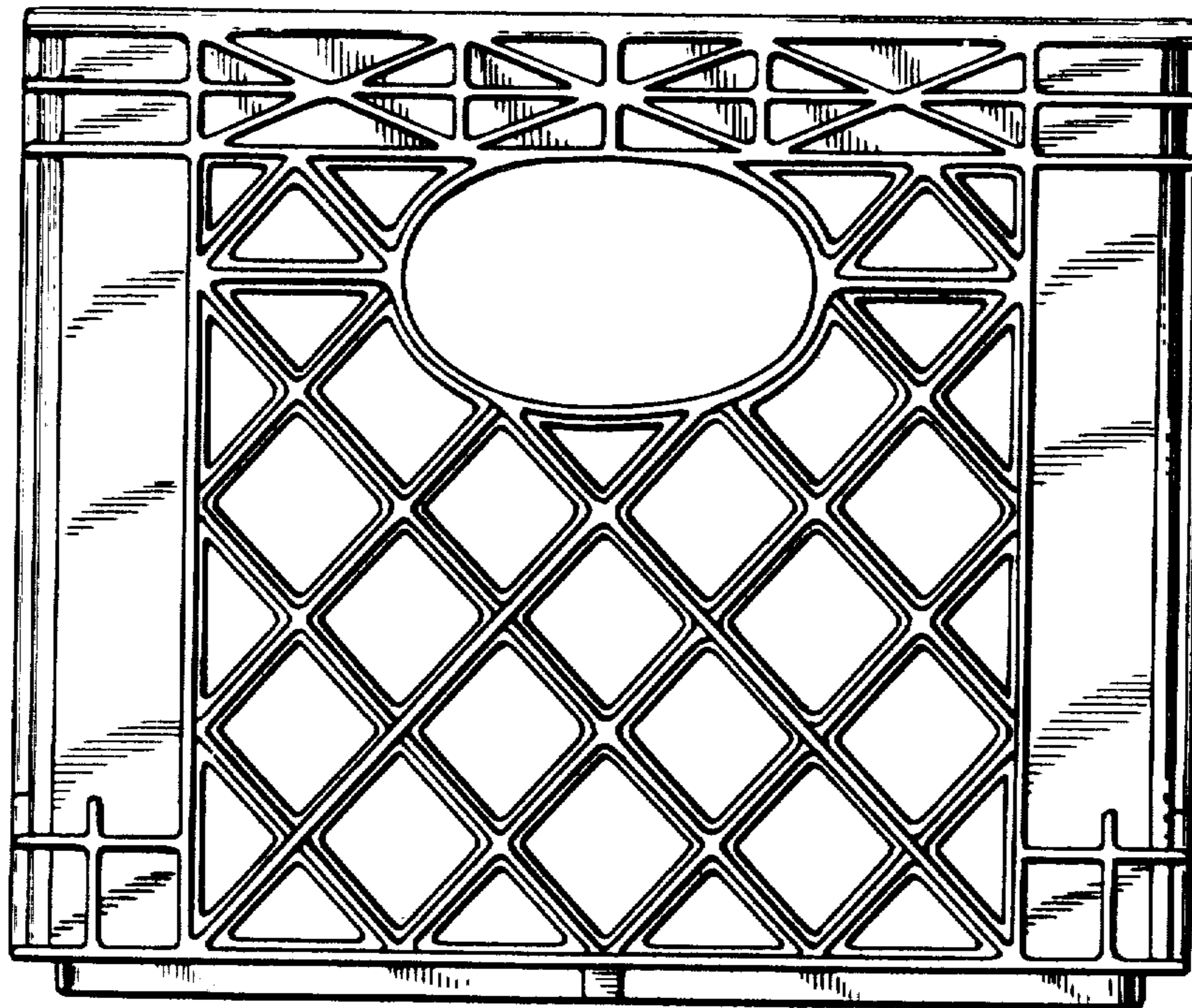


FIG. 10

