

[54] LOCKNUT

[75] Inventor: Thomas Mooney, Mount Sinai, N.Y.

[73] Assignee: I-T-E Imperial Corporation, East Farmingdale, N.Y.

[**] Term: 14 Years

[21] Appl. No.: 604,871

[22] Filed: Aug. 15, 1975

[51] Int. Cl. D8-08

[52] U.S. Cl. D8/274

[58] Field of Search 151/37; 85/32 V; D8/274

[56] References Cited

U.S. PATENT DOCUMENTS

3,608,601 9/1971 Gohs 151/37

Primary Examiner—William N. Wertman

Attorney, Agent, or Firm—Howard C. Miskin

[57] CLAIM

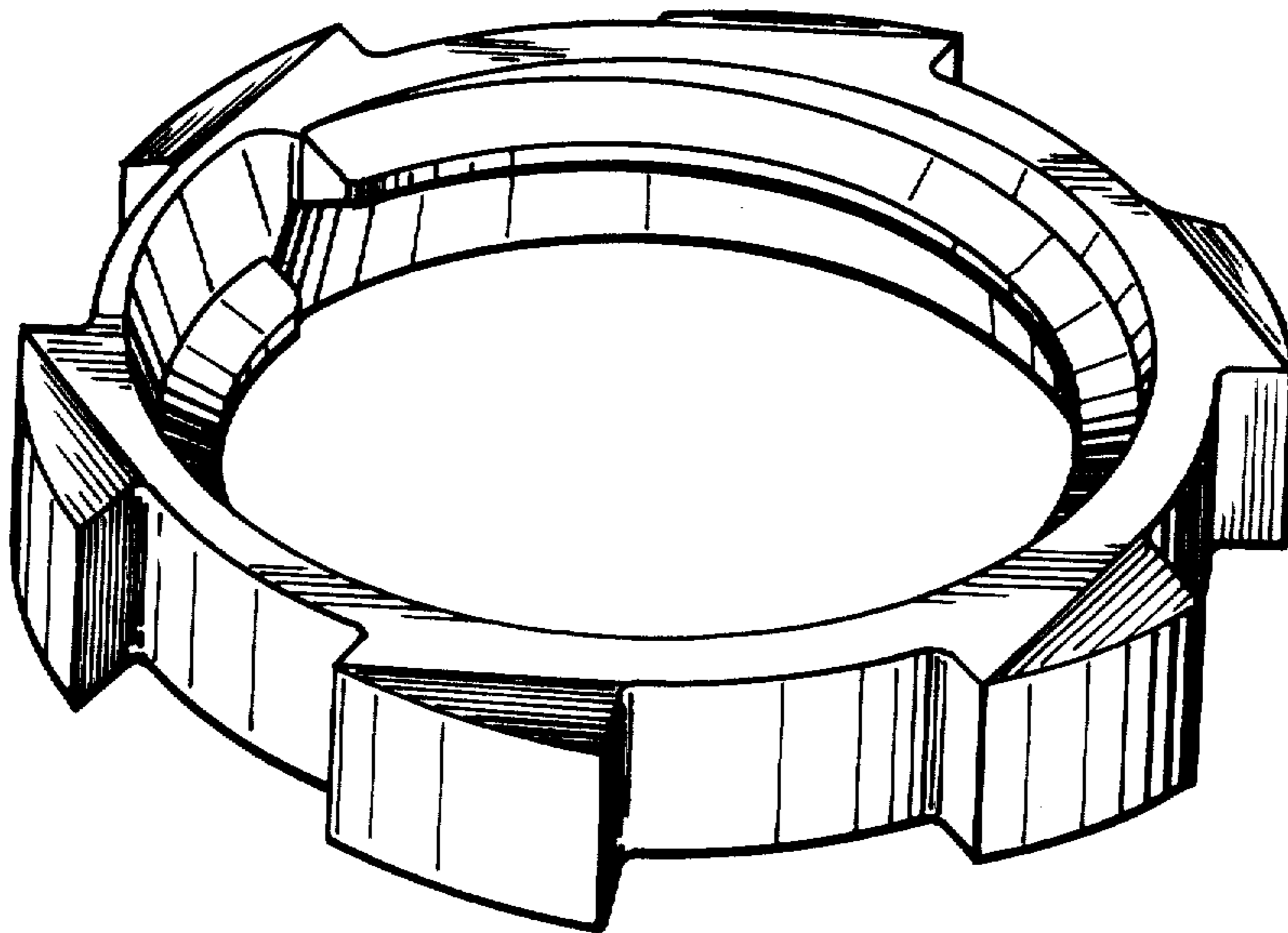
The ornamental design for a locknut, substantially as shown.

DESCRIPTION

FIG. 1 is a perspective plan of my new design for a locknut;

FIG. 2 is a side elevational view thereof;

FIG. 3 is a top plan view thereof.



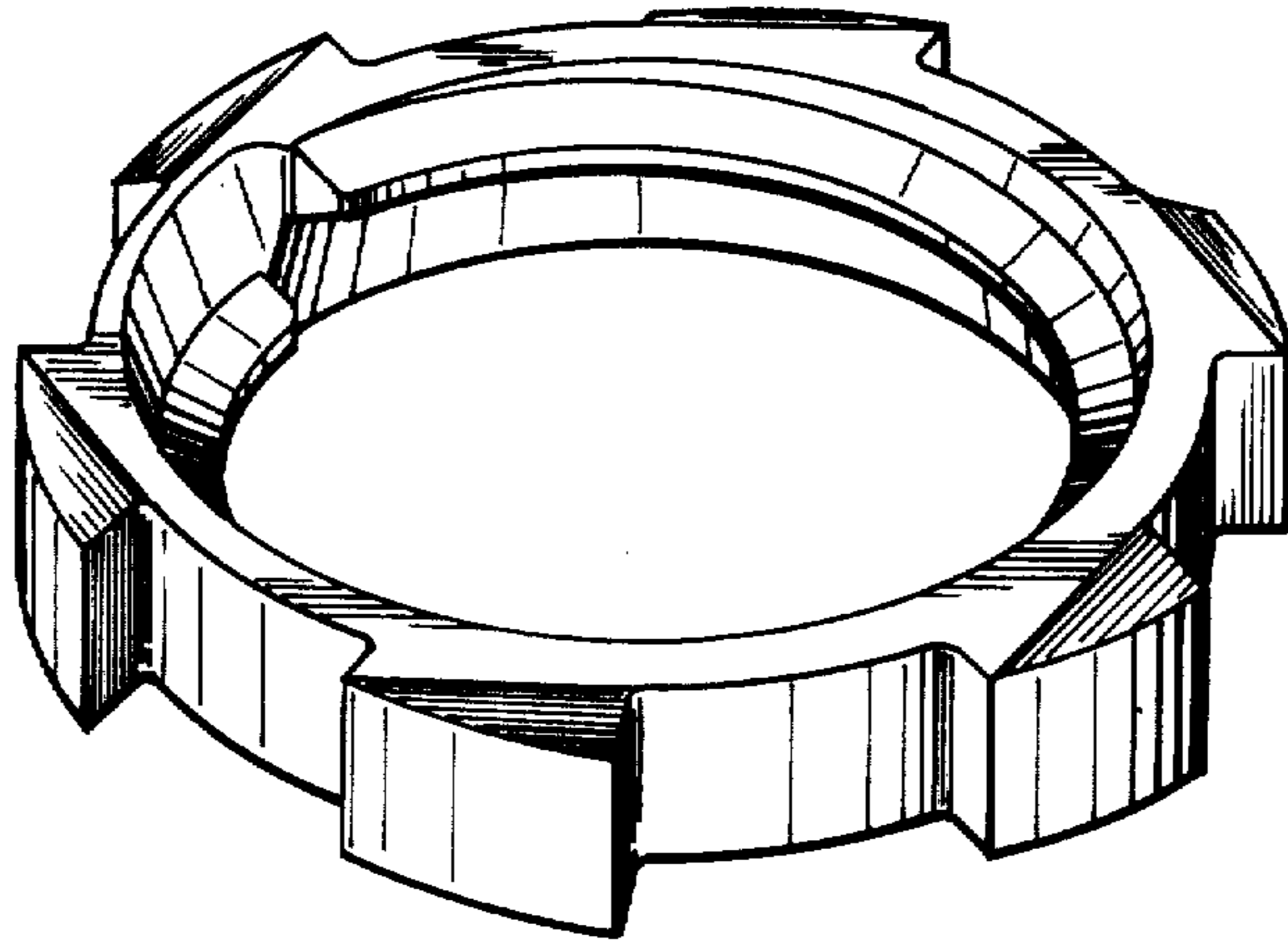


Fig. 1.

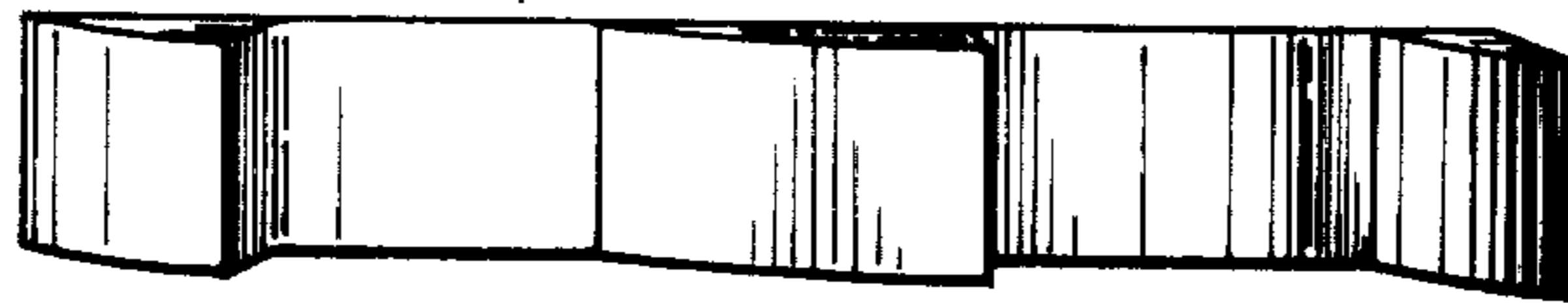


Fig. 2.

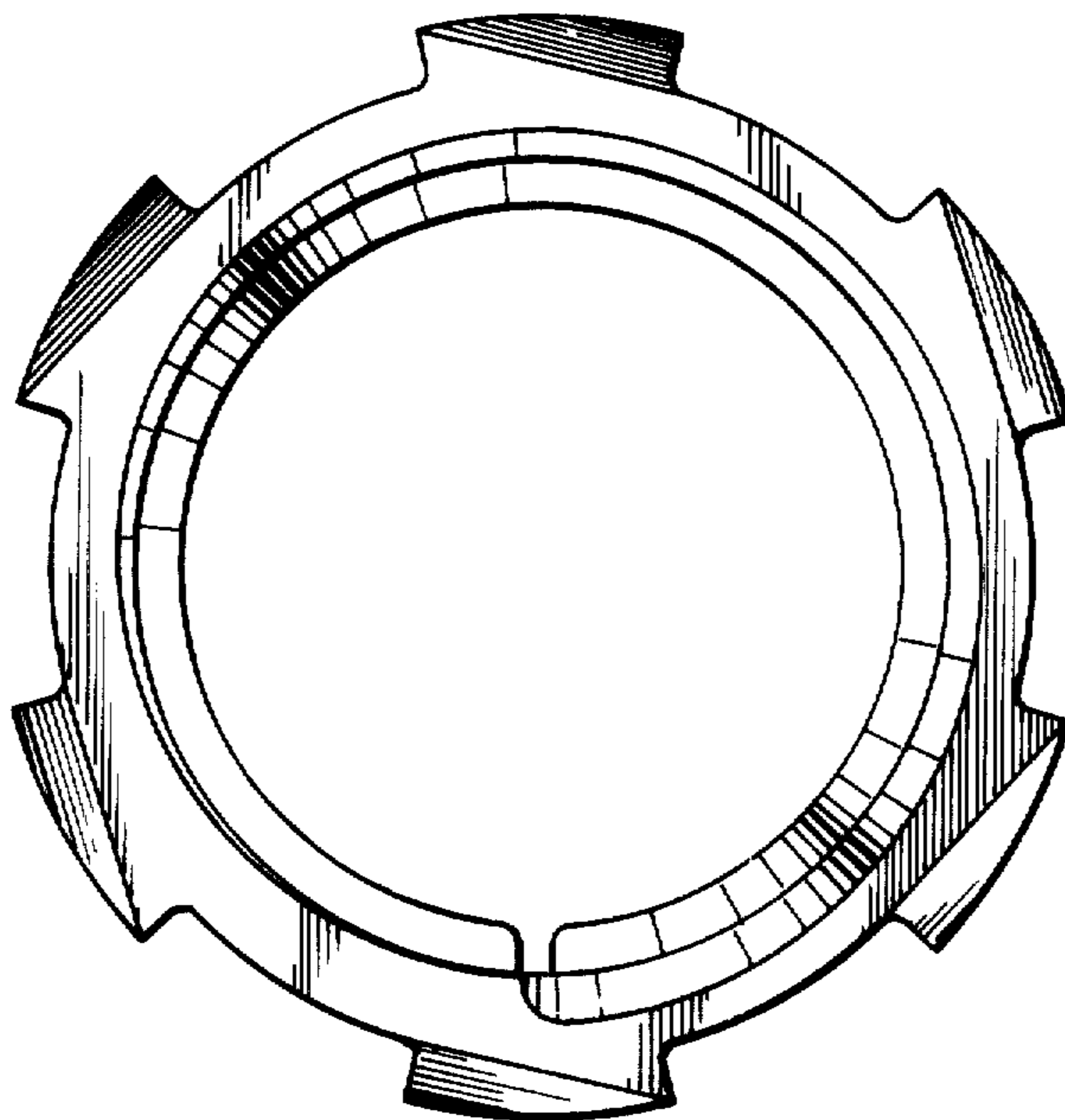


Fig. 3.