

[54] GARDEN HOSE AND NOZZLE CONNECTOR

[76] Inventor: James T. Malloy, 16761 Marie Lane, Huntington Beach, Calif. 92647

[\*\*] Term: 14 Years

[21] Appl. No.: 602,818

[22] Filed: Aug. 7, 1975

[51] Int. Cl. .... D8-08

[52] U.S. Cl. .... D8/259

[58] Field of Search .... D23/40-47; D8/259; D9/252, 281, 293; 24/73 A, 73 PF, 81 CC, 81 PF, 30.5 S, 129 D, 255 BS, DIG. 29; 220/375; 215/306; 285/114, 260; 248/74 P, 74 B, 75; 174/40 CC; 5/345 B

[56] References Cited

U.S. PATENT DOCUMENTS

2,155,329 4/1939 Perdue ..... 220/375  
2,457,274 12/1948 Rifken ..... 24/255 BS UX

2,581,849	1/1952	Fisch	220/375 X
2,599,472	6/1952	Miller	220/375 X
3,170,213	2/1965	Thomas, Jr.	24/30.5 S X
3,285,404	11/1966	Spinney	5/345 B
3,393,410	7/1968	Anderson	5/345 B
3,606,651	9/1971	Goodman	24/255 BS
3,667,712	6/1972	Furgueson	248/75
D. 233,312	10/1974	Lock	D8/259
D. 238,853	2/1976	Kruger	D8/259

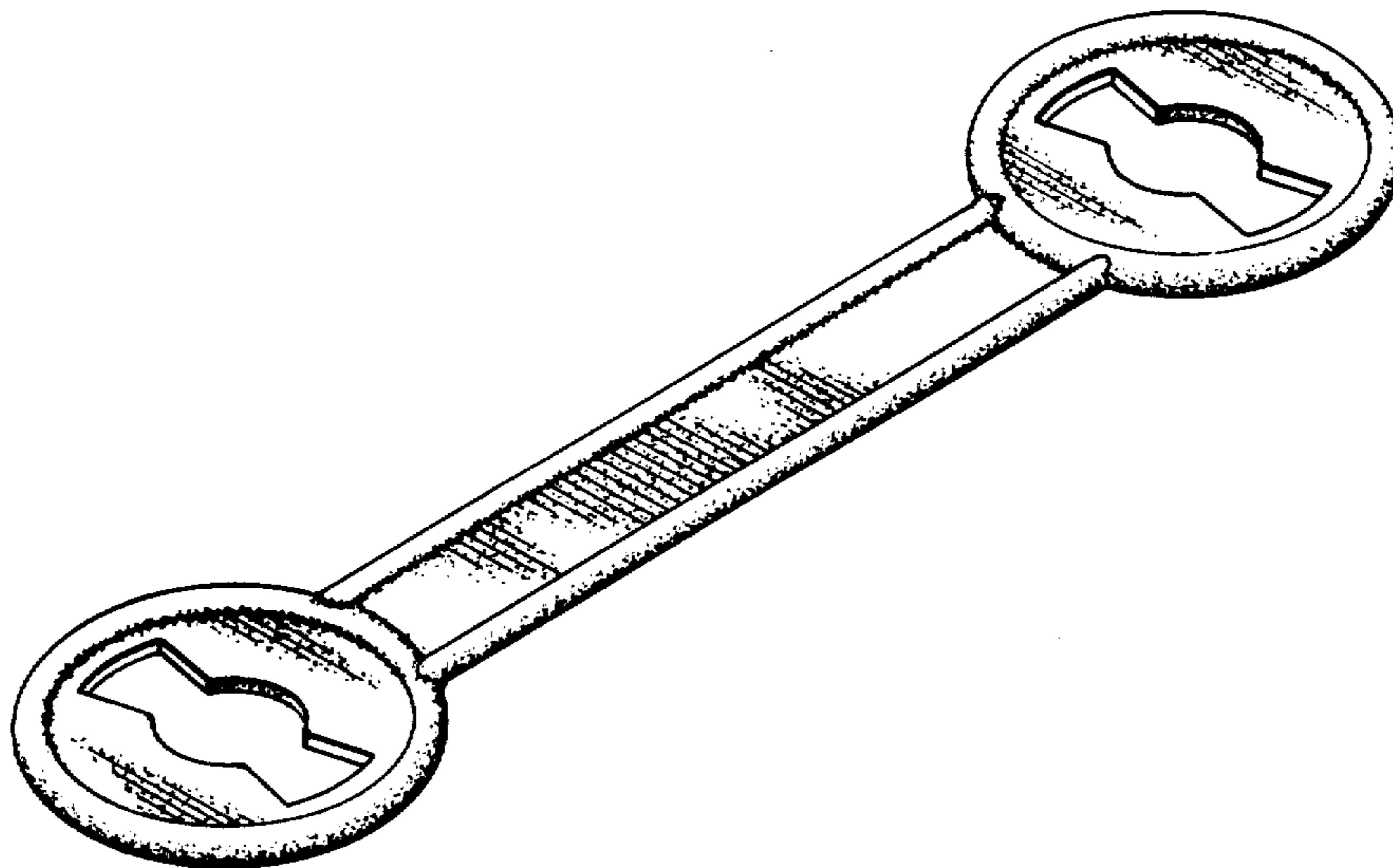
Primary Examiner—James R. Largen  
Attorney, Agent, or Firm—Philip M. Hinderstein

[57] CLAIM

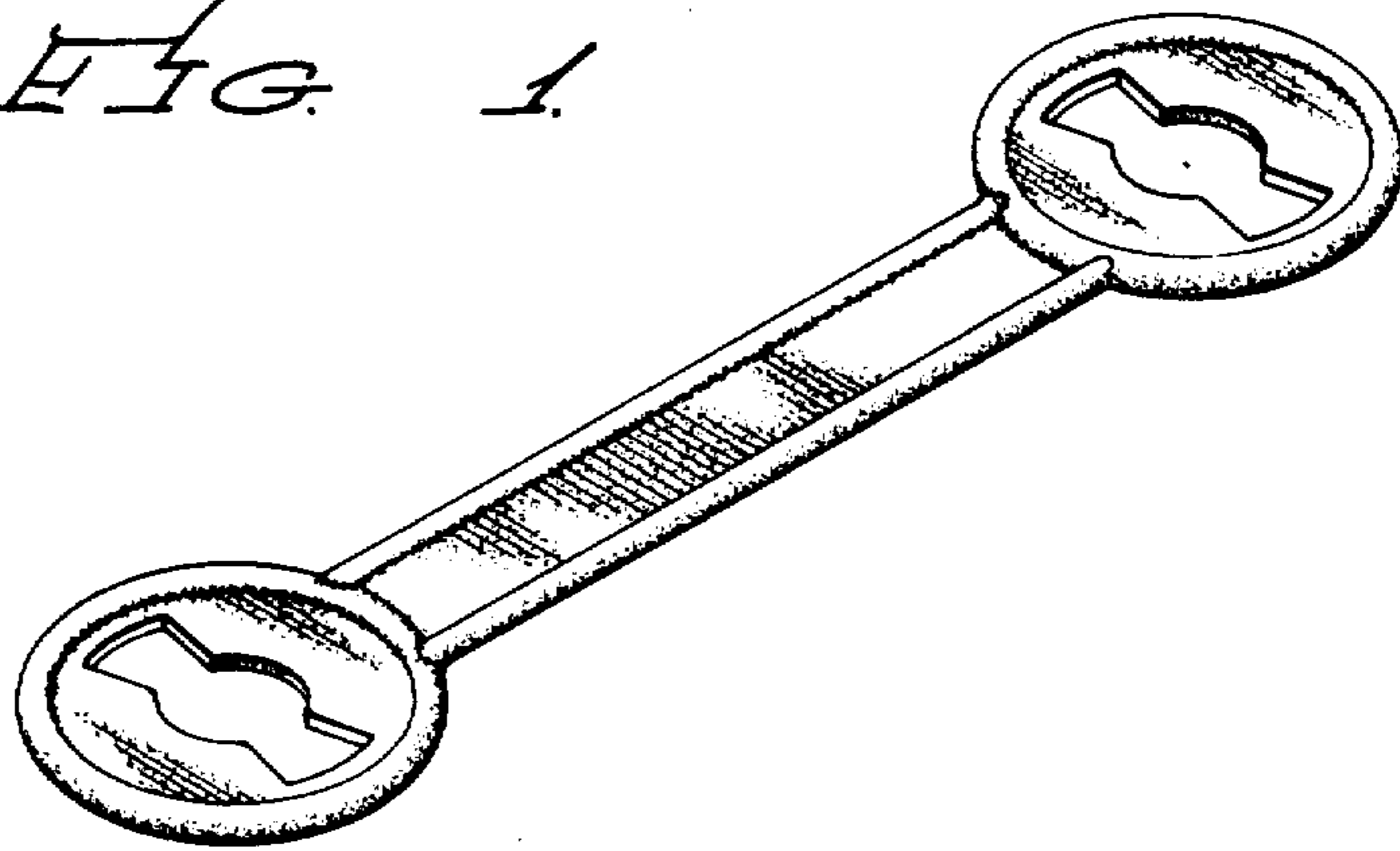
The ornamental design for a garden hose and nozzle connector, as shown.

DESCRIPTION

FIG. 1 is a top perspective view of a garden hose and nozzle connector showing my new design; and FIG. 2 is a bottom perspective view thereof.



*FIG. 1.*



*FIG. 2.*

