

[54] PICNIC TABLE

[76] Inventor: Albert R. Rogers, 700 Newton, Kansas City, Mo. 64125

[**] Term: 14 Years

[21] Appl. No.: 604,826

[22] Filed: Aug. 14, 1975

[51] Int. Cl. D6-06

[52] U.S. Cl. D6/45

[58] Field of Search D6/42, 45, 177-179; 297/157

[56] References Cited

U.S. PATENT DOCUMENTS

- 2,964,368 12/1960 Heyer 297/157 X
- D. 218,051 7/1970 Schupbach et al. D6/45

D. 235,394 6/1975 Ruth D6/45

Primary Examiner—Bruce W. Dunkins
Attorney, Agent, or Firm—Claude W. Lowe

[57] CLAIM

The ornamental design for a picnic table, as shown and described.

DESCRIPTION

FIG. 1 is a perspective view of a picnic table showing my new design; FIG. 2 is an end elevational view thereof, the opposite end being of substantially the same appearance; FIG. 3 is a side elevational view thereof, the opposite side being of substantially the same appearance; and FIG. 4 is a top plan view thereof.

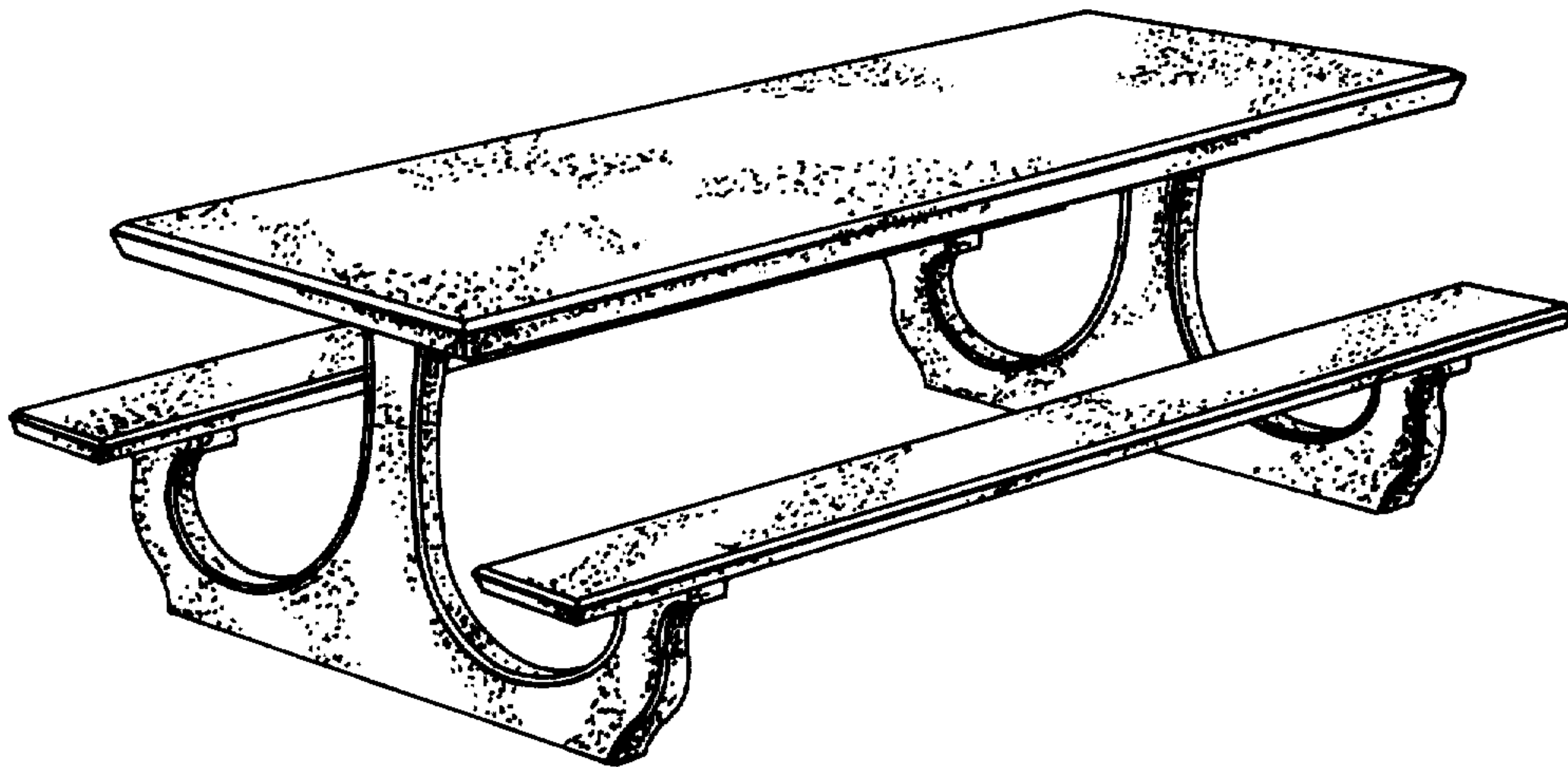


Fig. 1.

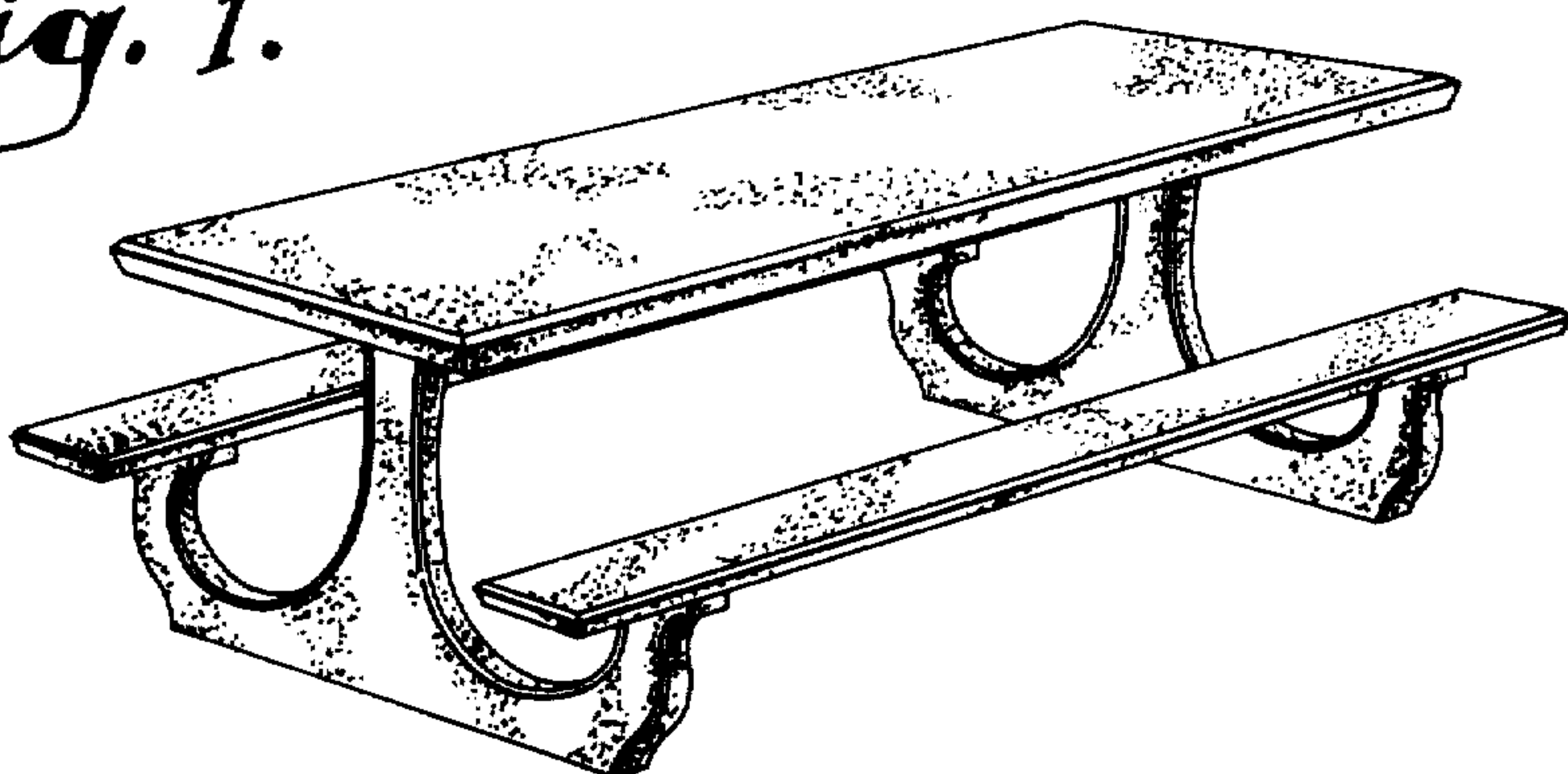


Fig. 2.

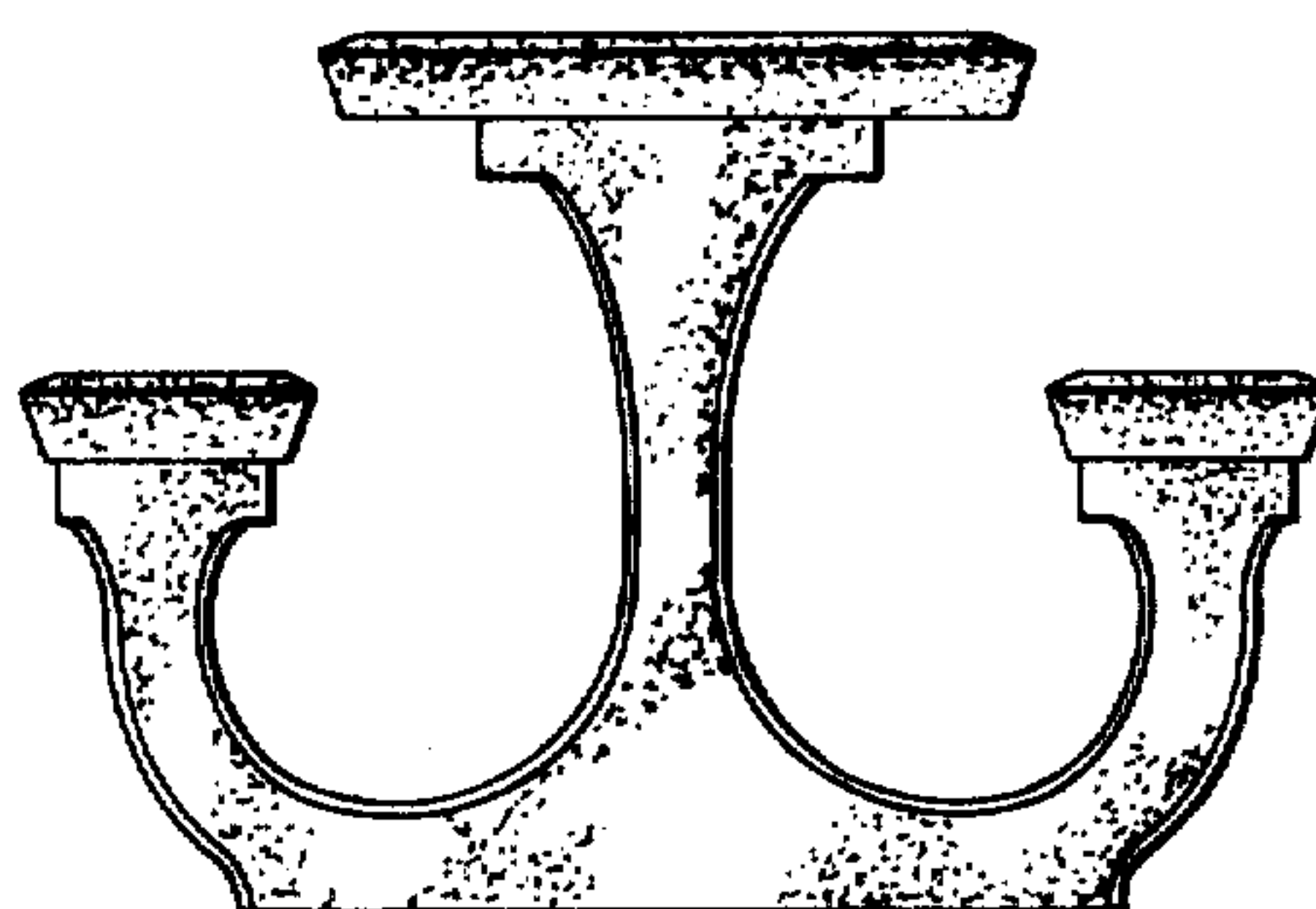


Fig. 3.

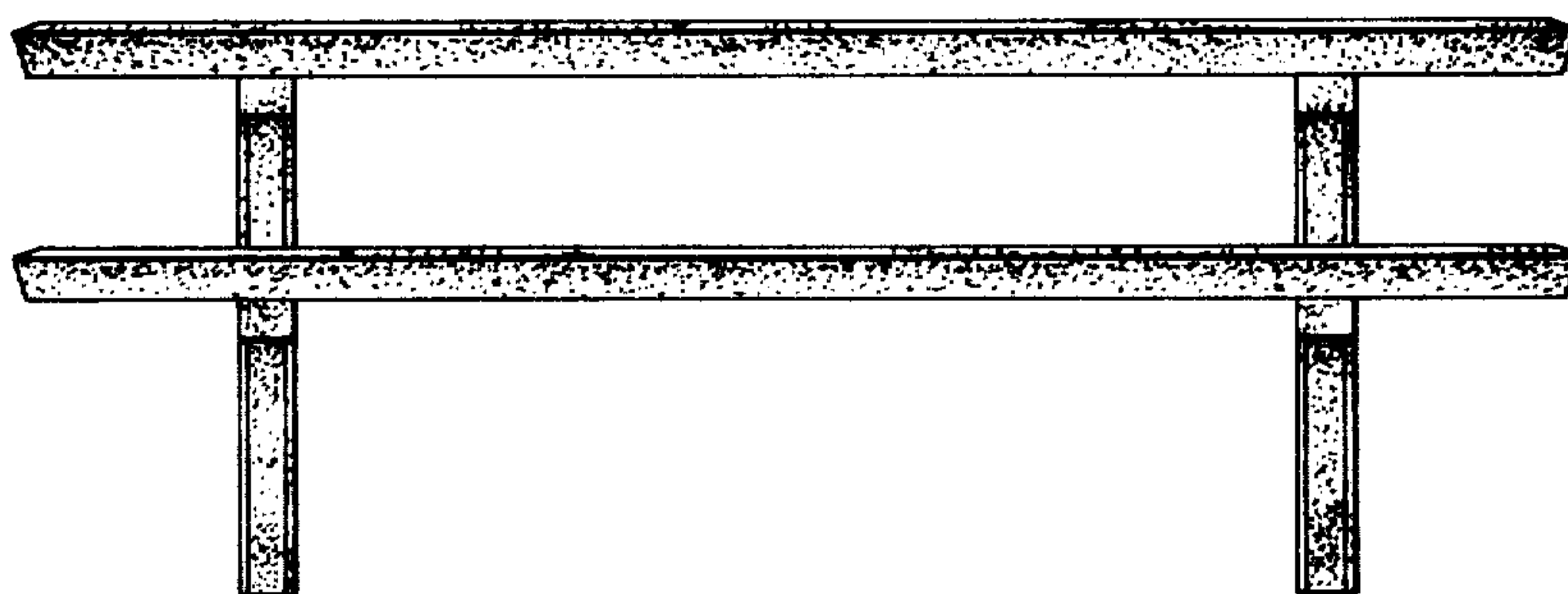


Fig. 4.

