

[54] HYDROTHERAPY BATH ASSEMBLY

[75] Inventor: Clifford E. Grube, Niles, Ill.

[73] Assignee: Associated Mills, Inc. an Illinois Corporation, Ill.

[**] Term: 14 Years

[21] Appl. No.: 666,481

[22] Filed: Mar. 12, 1976

[51] Int. Cl. D24-04

[52] U.S. Cl. D83/1 C

[58] Field of Search D83/1 C; 128/66

[56] References Cited

U.S. PATENT DOCUMENTS

3,267,936	8/1966	Brady	128/66
3,336,921	8/1967	Lloyd	128/66
D. 225,471	12/1972	McNair	D83/1 C
D. 226,635	4/1973	Grube	D83/1 C
D. 229,360	11/1973	McNair	D83/1 C
D. 231,032	3/1974	Jacuzzi et al.	D83/1 C

Primary Examiner—Bernard Ansher
Attorney, Agent, or Firm—George B. Newitt

[57] CLAIM

The ornamental design for a hydrotherapy bath assembly, as shown and described.

DESCRIPTION

FIG. 1 is a perspective view showing one end of the hydrotherapy bath assembly showing my new design; FIG. 2 is a perspective view showing the other end of the hydrotherapy bath assembly; FIG. 3 is a top plan view; FIG. 4 is a side elevational view of one side, the other side elevational view being identical thereto; FIG. 5 is a view taken along the line 5—5 in FIG. 4; FIG. 6 is an end elevational view of the one end of the hydrotherapy bath assembly; FIG. 7 is an end elevational view of the other end of the hydrotherapy bath assembly; FIG. 8 is a view taken along the line 8—8 in FIG. 4; FIG. 9 is a bottom plan view.

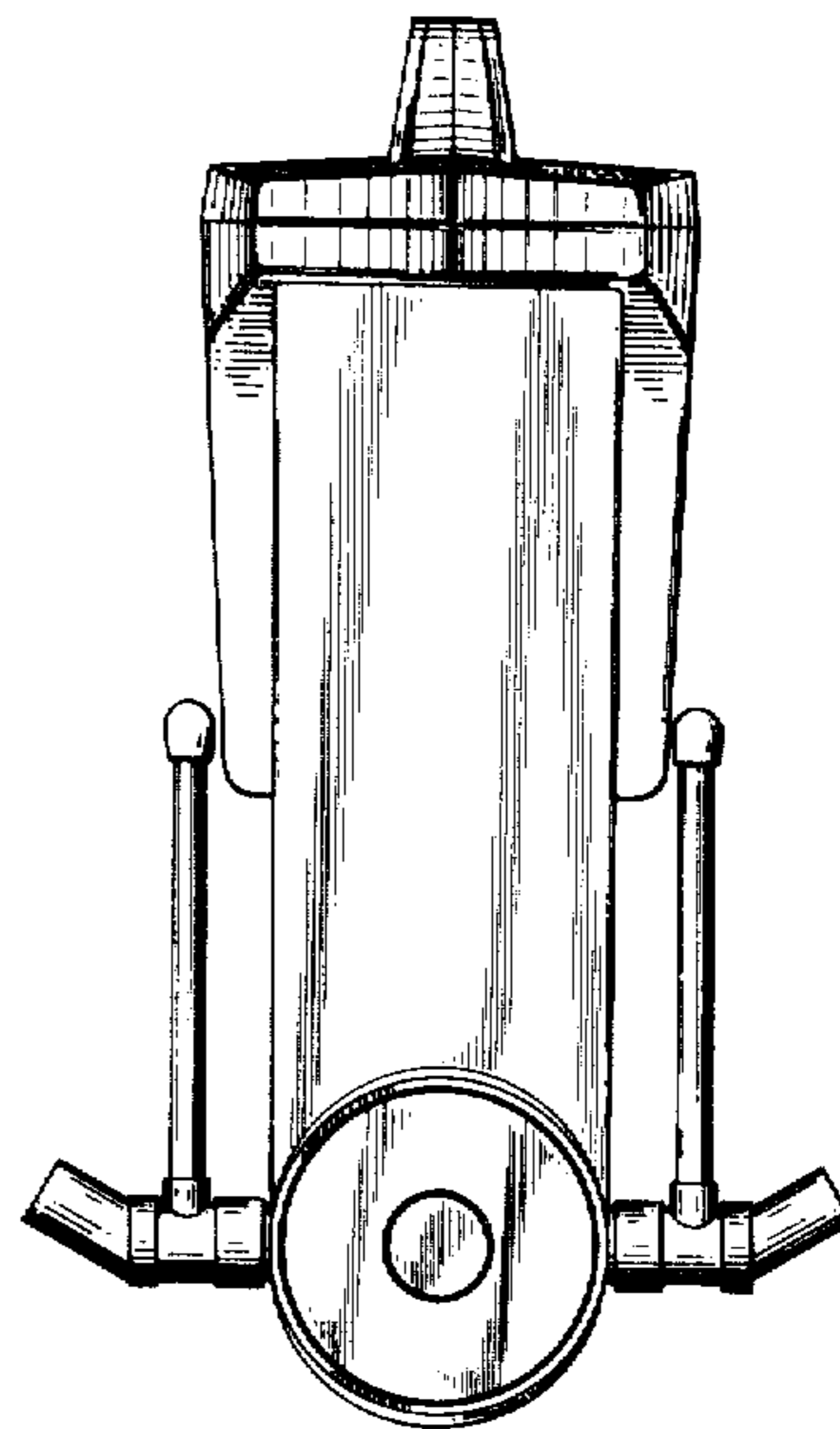
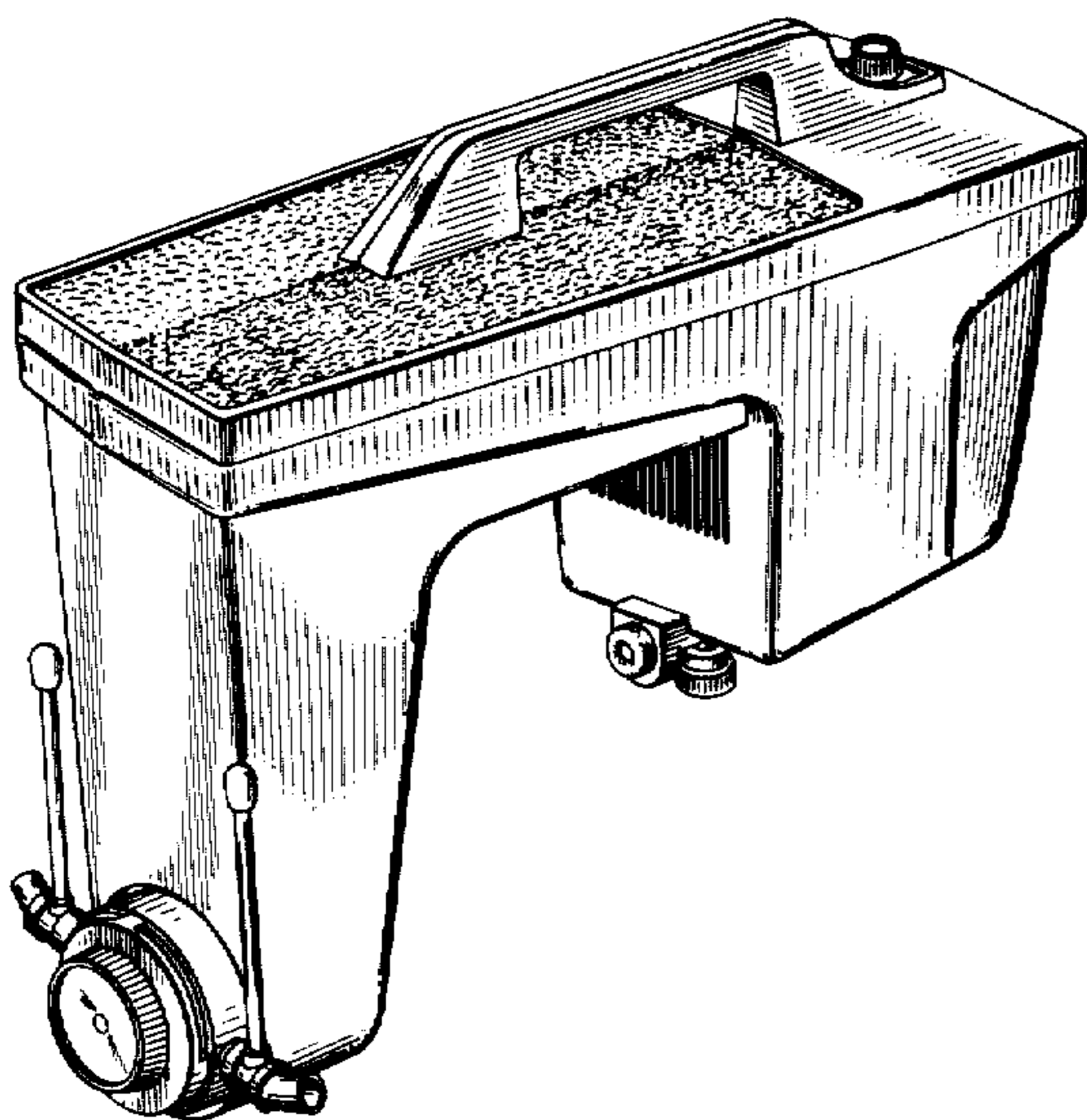


Fig. 1

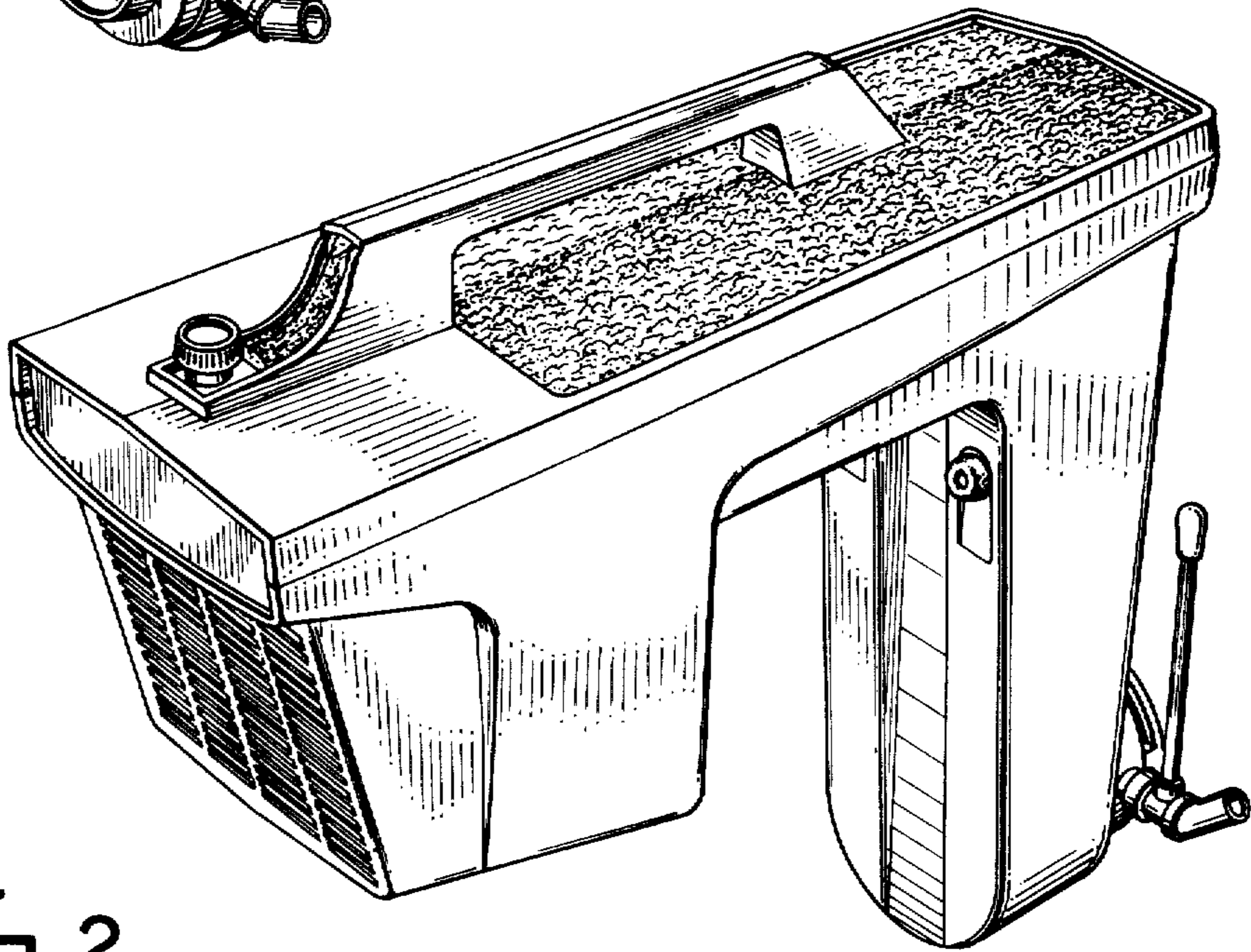
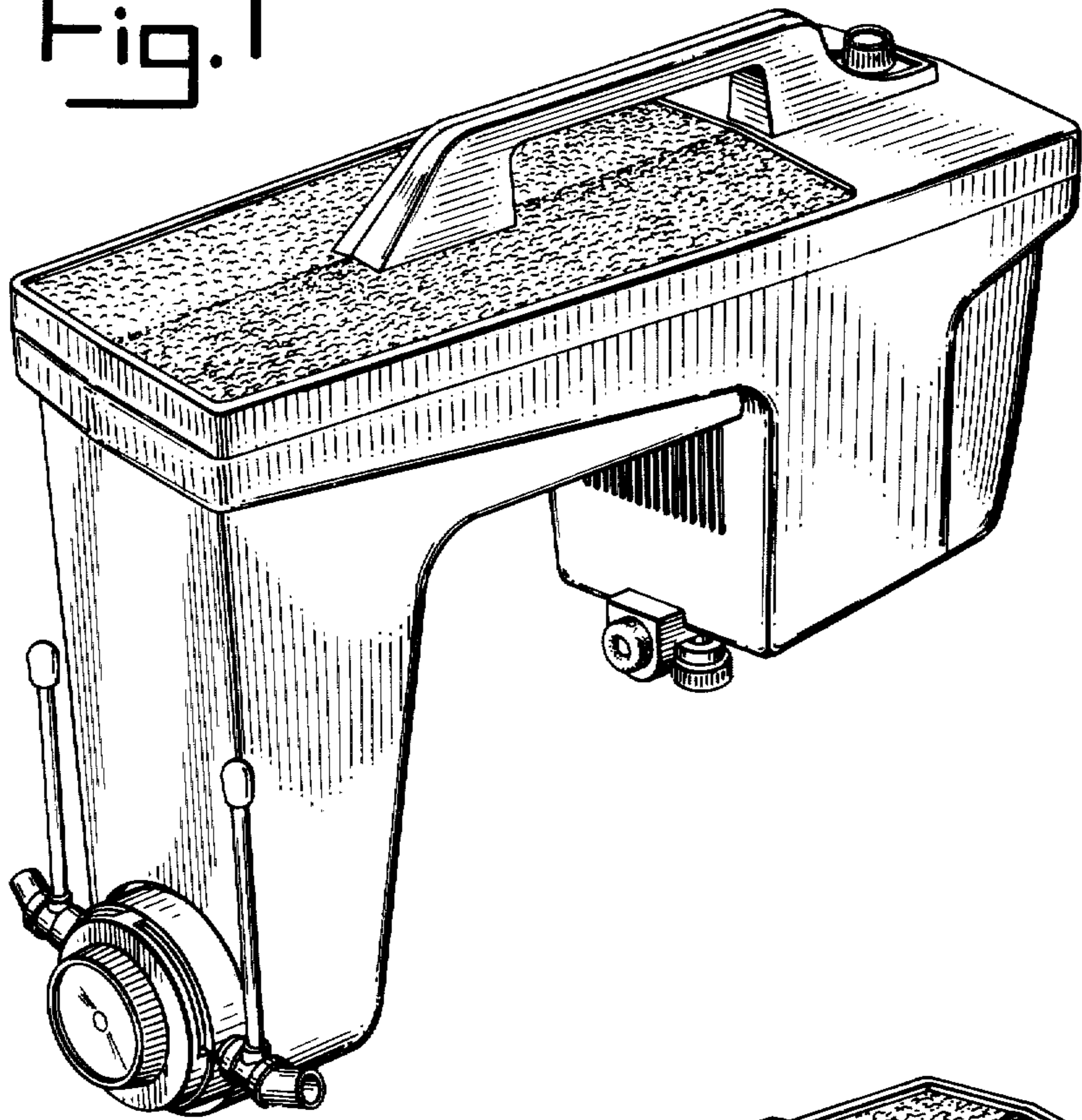


Fig. 2

Fig. 3

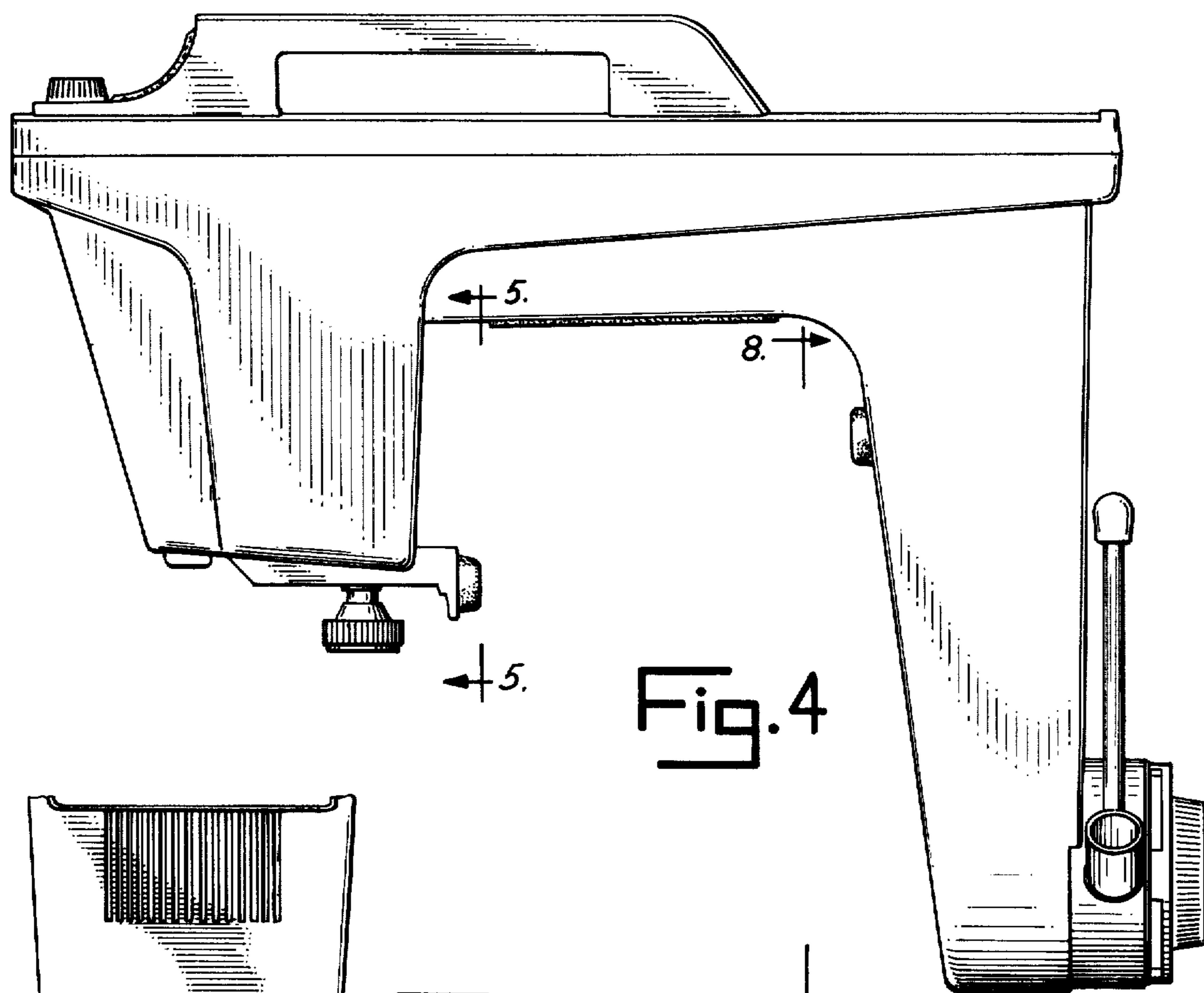
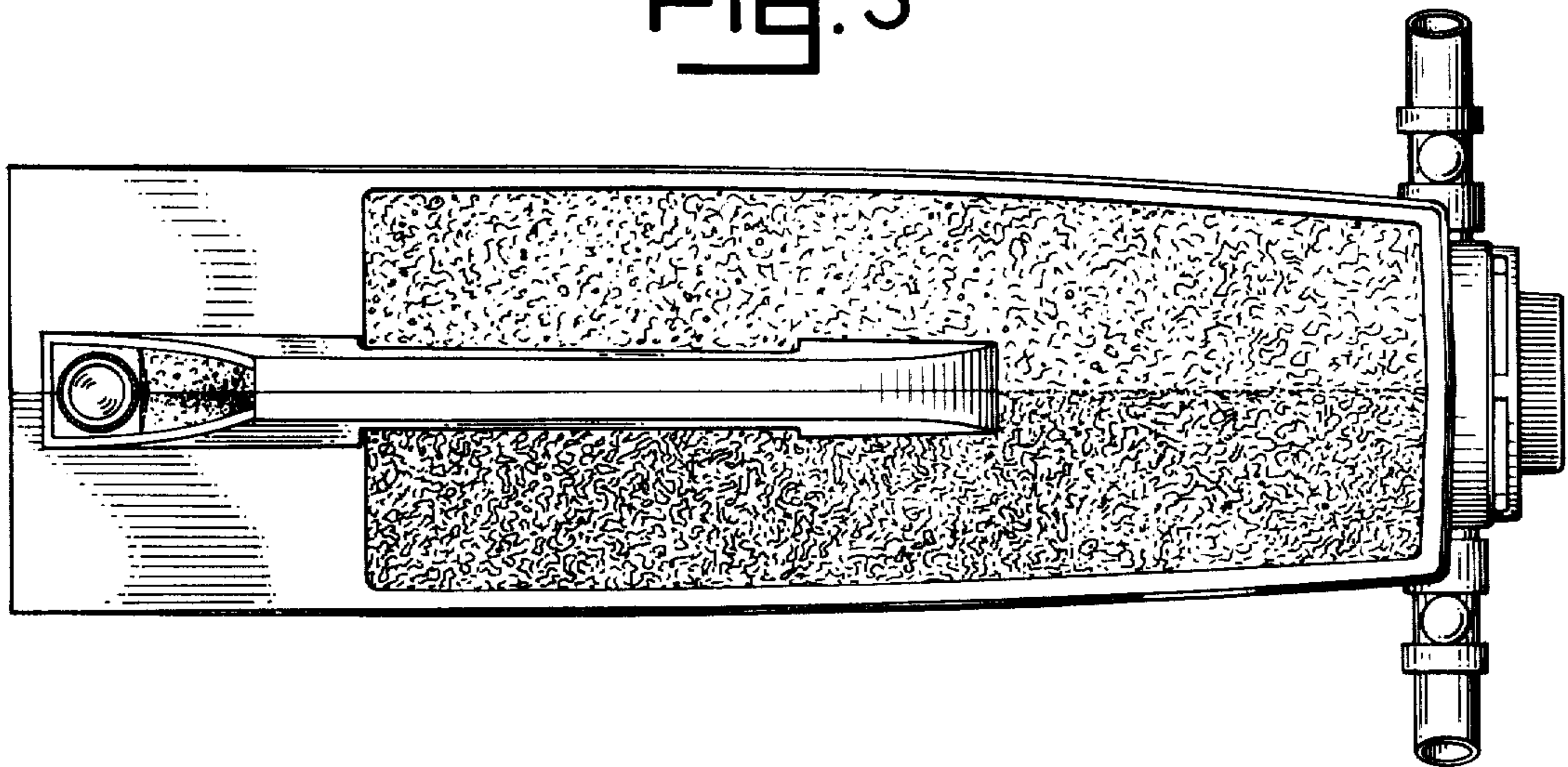


Fig. 4

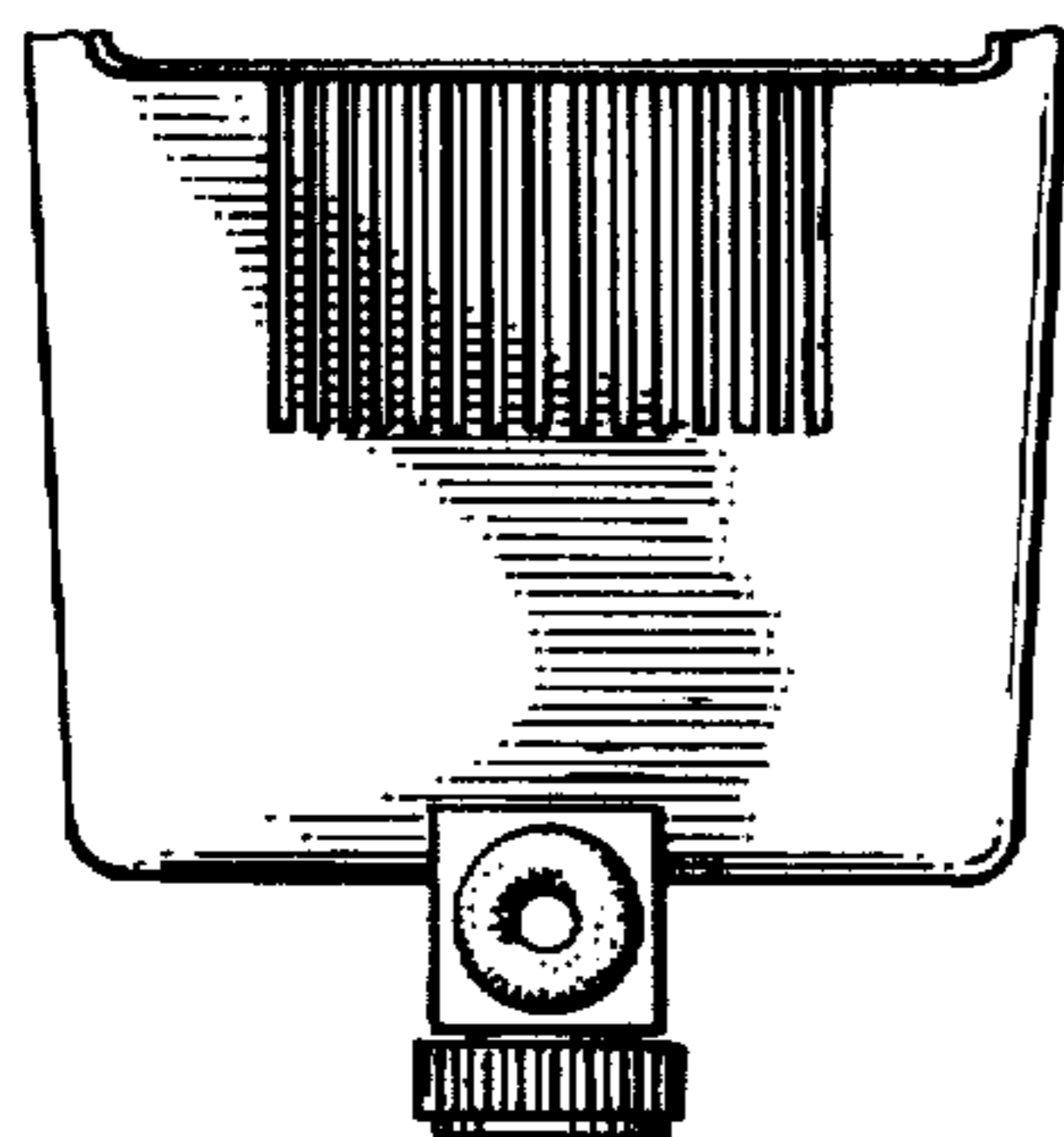


Fig. 5

8.

Fig. 7

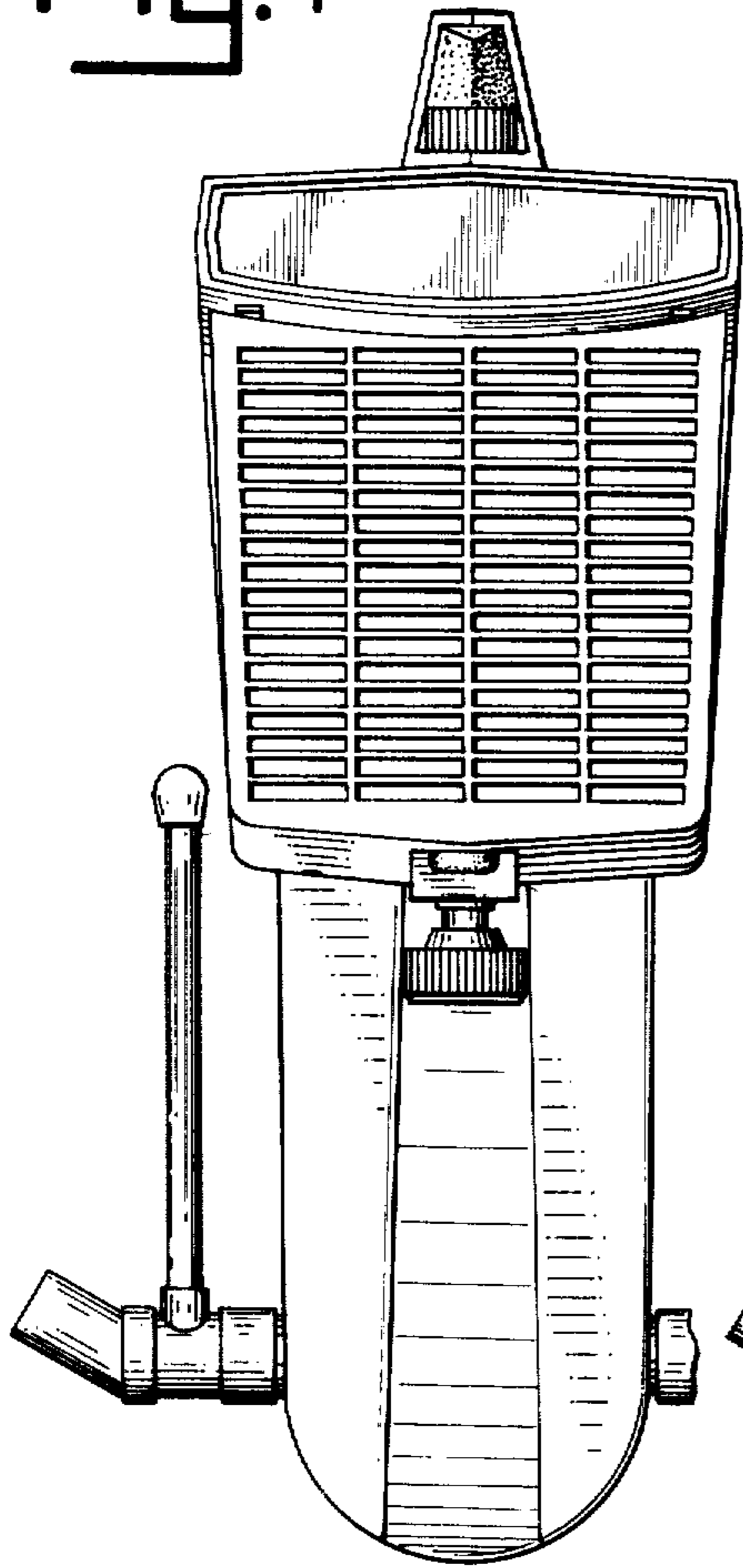


Fig. 6

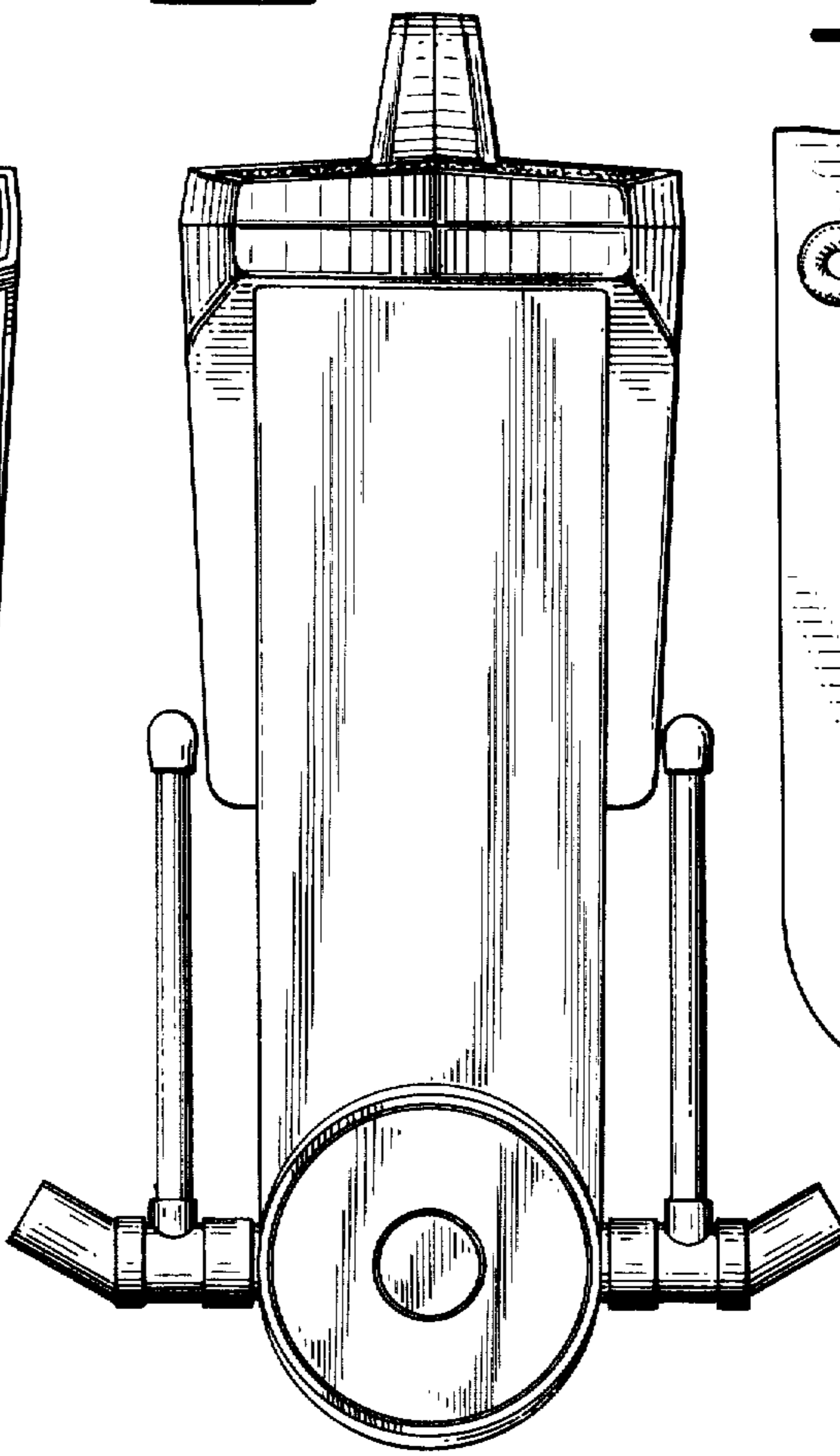


Fig. 8

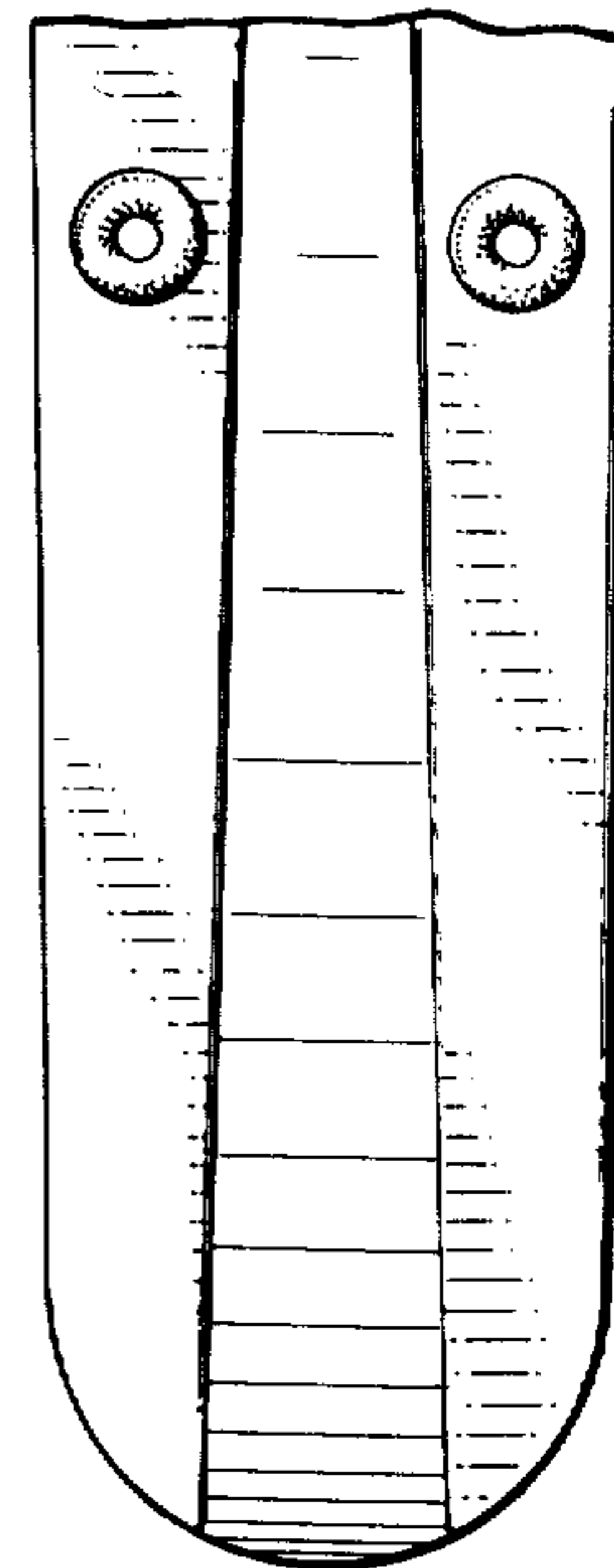


Fig. 9

