

[54] NEBULIZER UNIT OR SIMILAR ARTICLE

[75] Inventors: Robert J. Aul, Perrysburg, Ohio; Robert S. Babington, McLean, Va.; Glenn H. Dunlap, Maumee; Wayne J. Zitkus, Toledo, both of Ohio

[73] Assignee: American Hospital Supply Corporation, Evanston, Ill.

[**] Term: 14 Years

[21] Appl. No.: 577,528

[22] Filed: May 14, 1975

[51] Int. Cl. D24-03

[52] U.S. Cl. D83/1 N

[58] Field of Search D83/1 N, 1 M, 1 F; D23/4; 128/194; 222/541; 239/338, 337

[56] References Cited

U.S. PATENT DOCUMENTS

3,353,536	11/1967	Bird et al.	128/194
3,395,703	8/1968	Chouinard et al.	128/194

3,572,660	3/1971	Mahon	128/194
3,724,454	4/1973	Brown	128/194
D. 231,866	6/1974	Blank et al.	D83/1 N

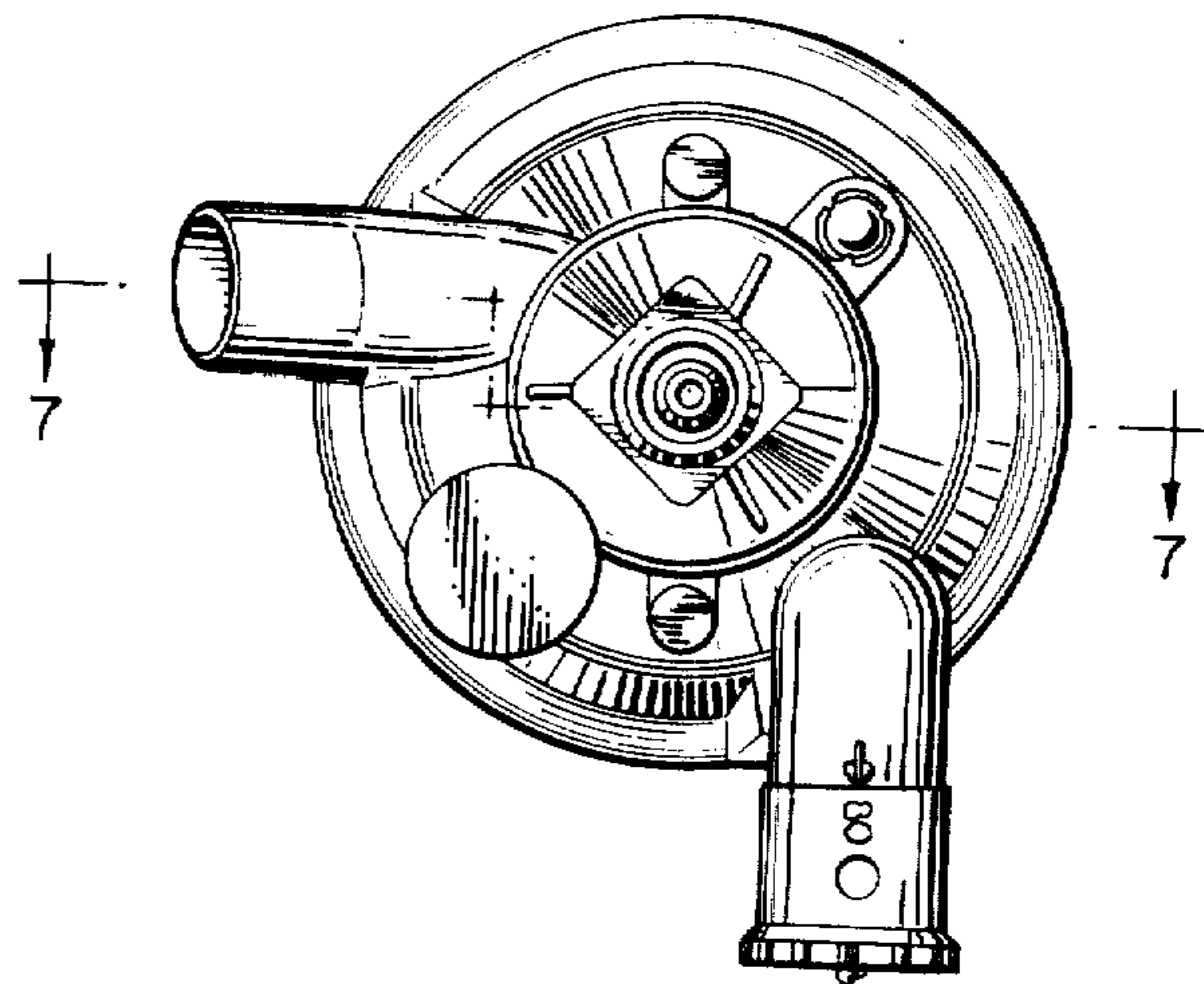
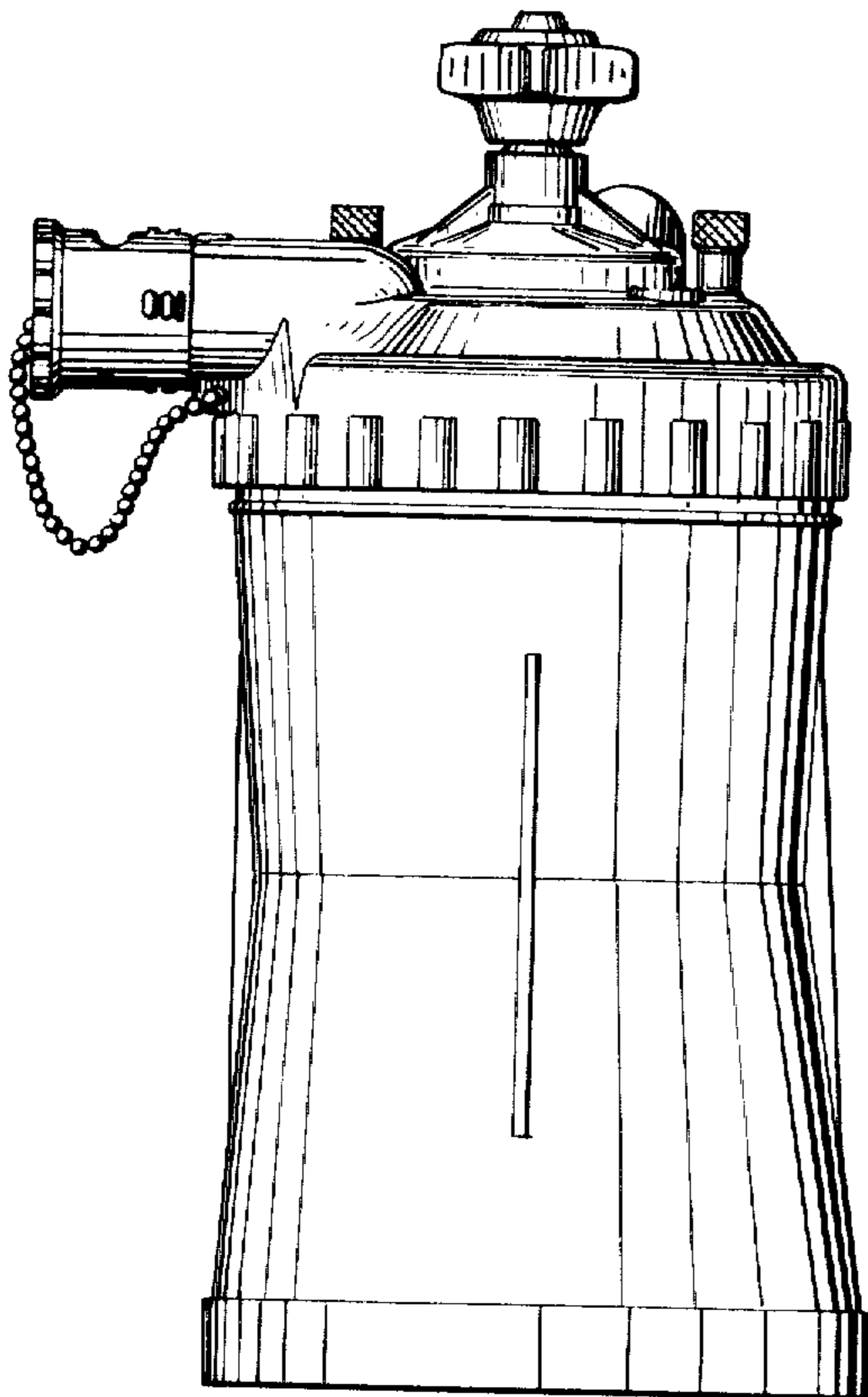
Primary Examiner—Bernard Ansher
Attorney, Agent, or Firm—Richard B. Dence

[57] CLAIM

The ornamental design for a nebulizer unit or similar article, as shown.

DESCRIPTION

FIG. 1 is an elevational view of one side of a nebulizer unit or similar article showing our new design; FIG. 2 is a side elevational view of the right hand side of the article depicted in FIG. 1; FIG. 3 is a side elevational view of the side opposite from the side depicted in FIG. 1; FIG. 4 is a side elevational view of the left hand side of the article depicted in FIG. 1; FIG. 5 is a top plan view thereof; FIG. 6 is a bottom view thereof; and FIG. 7 is a cross-section taken on line 7—7 of FIG. 2.



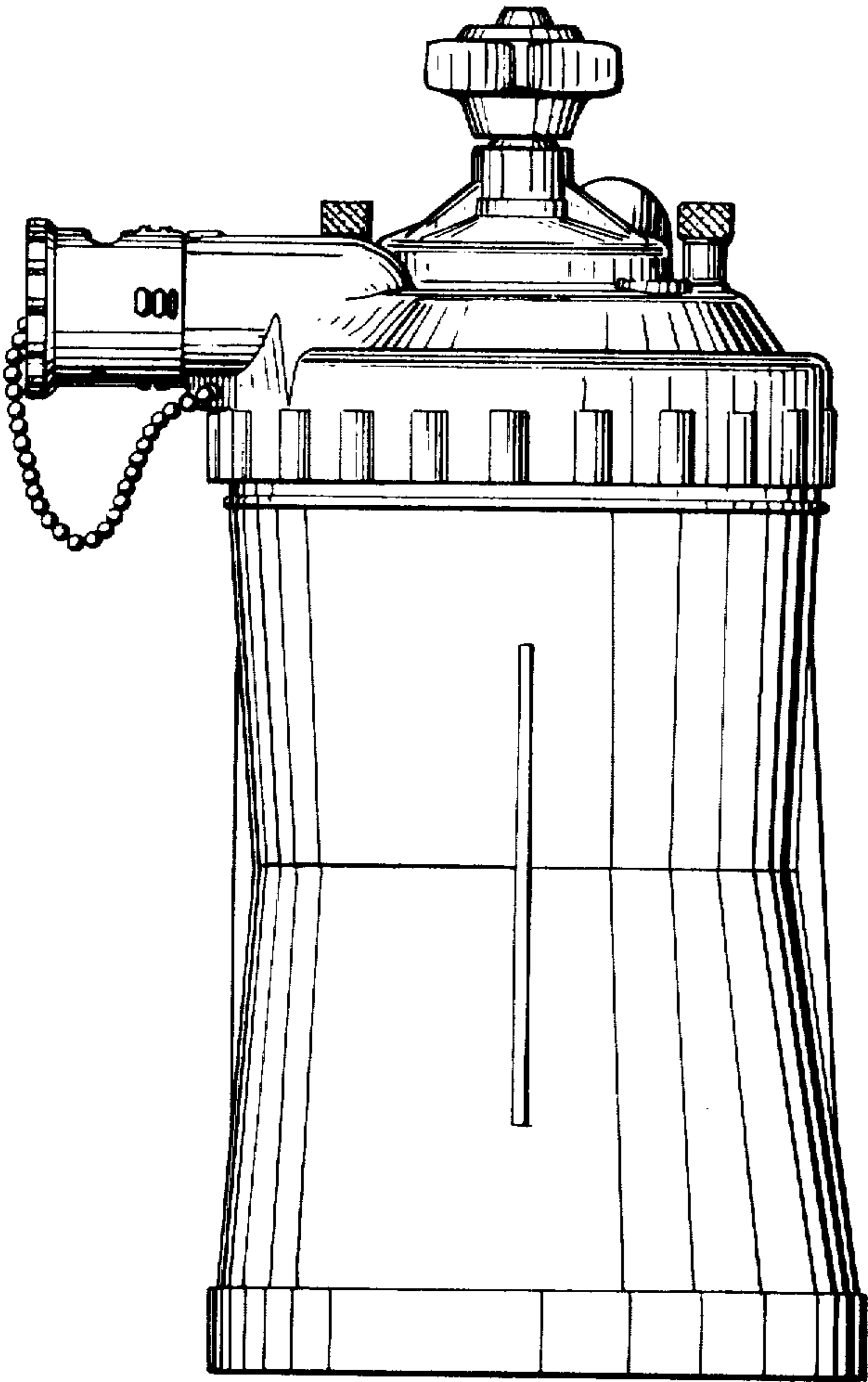


FIG. 1

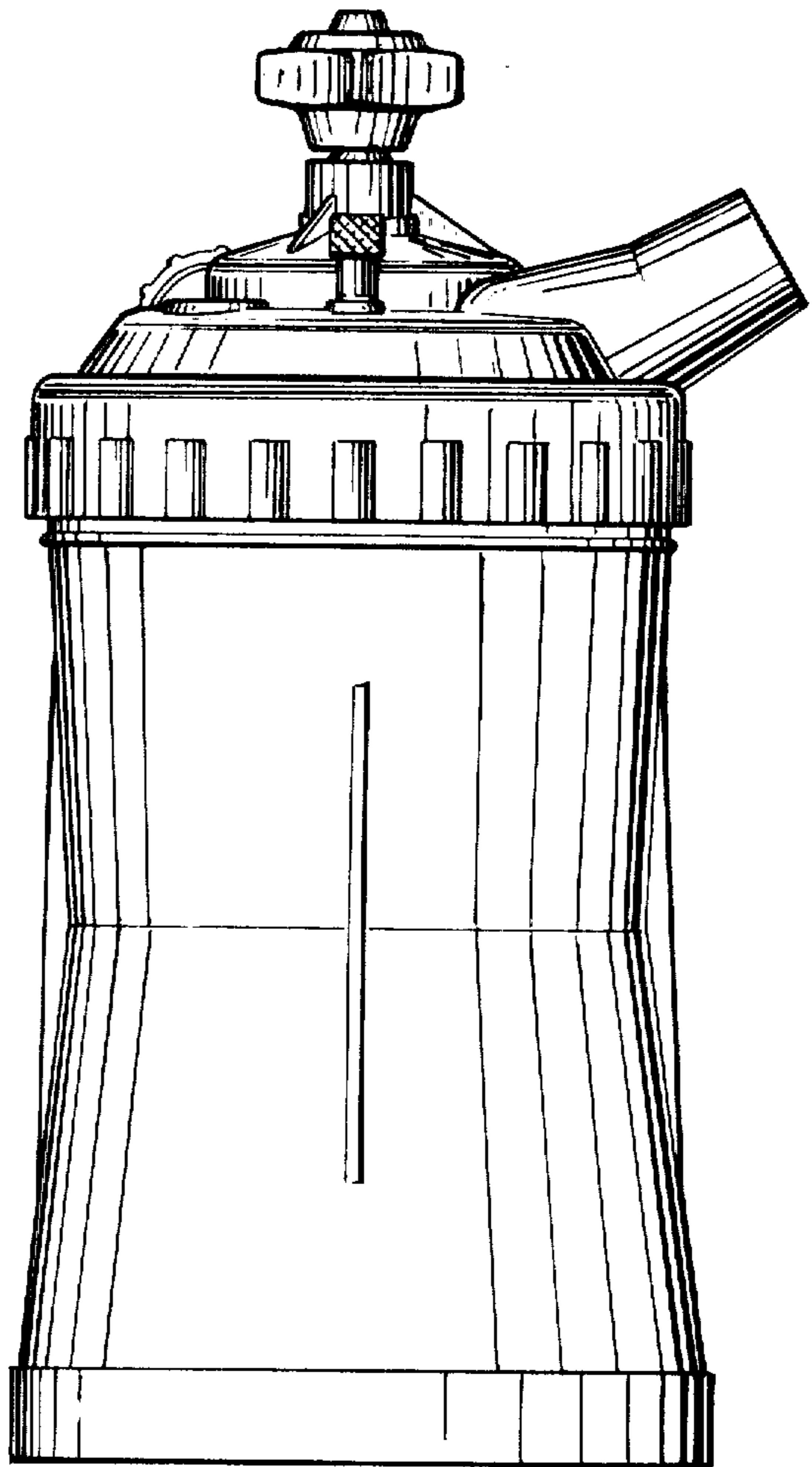


FIG. 2

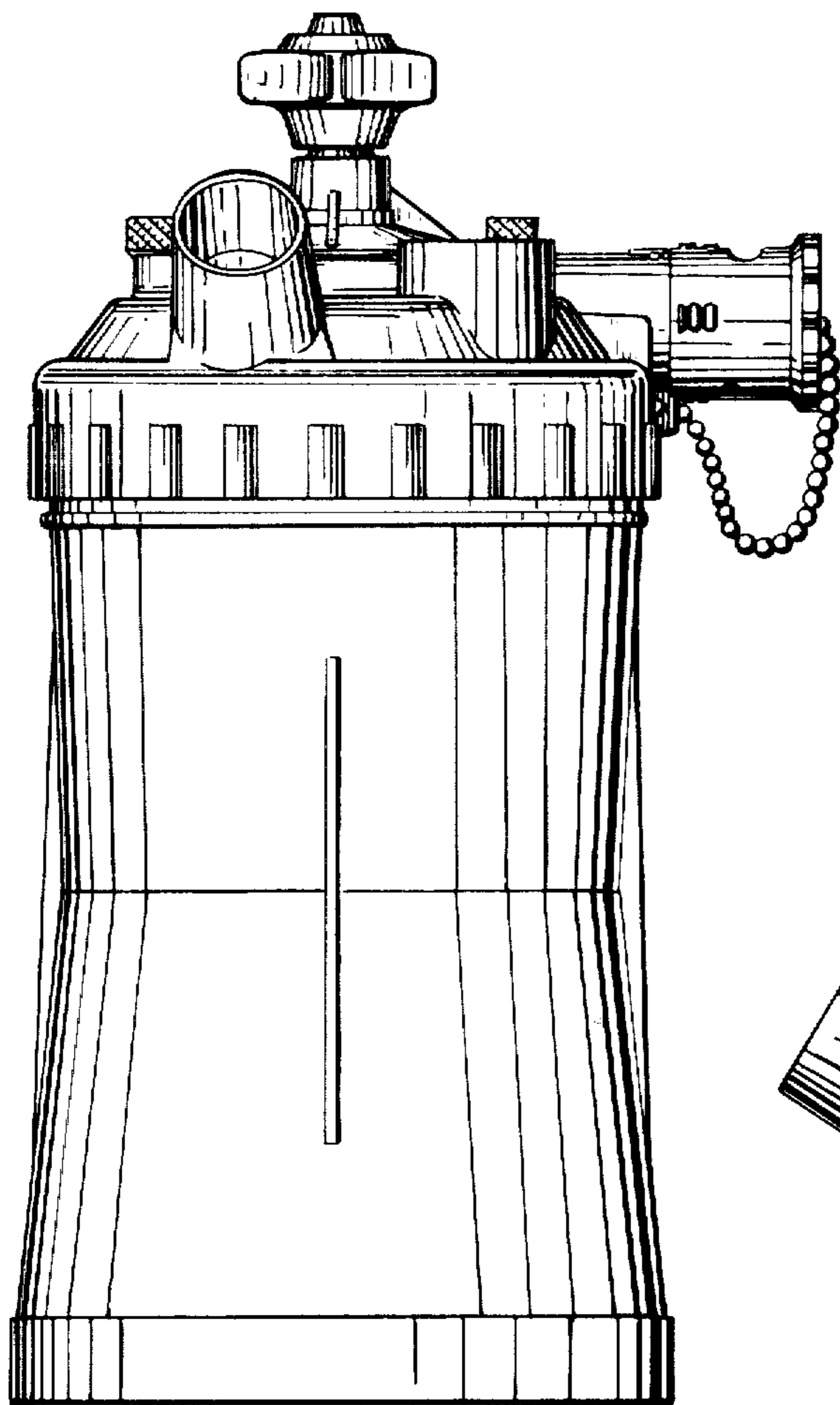


FIG. 3

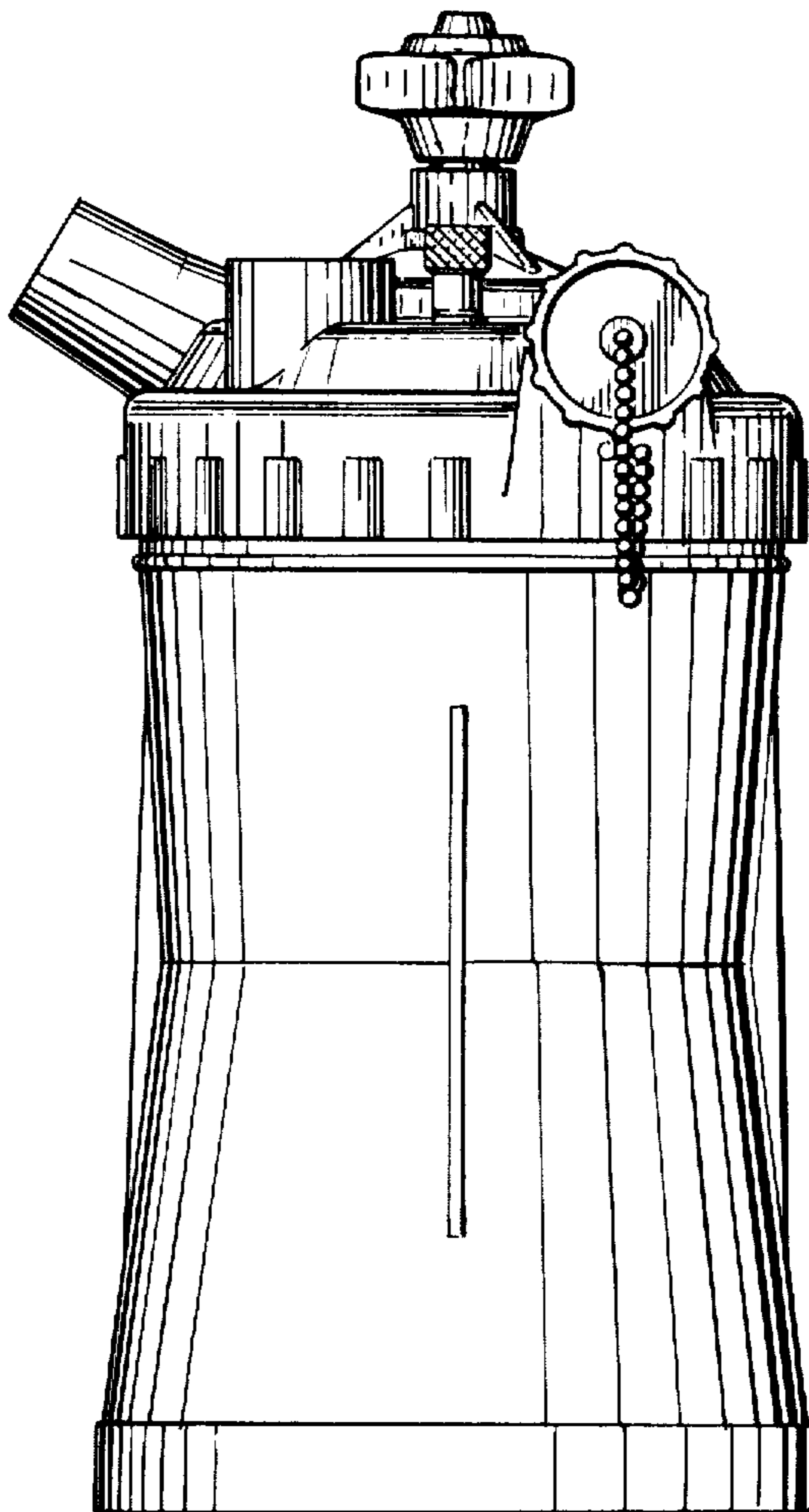


FIG. 4

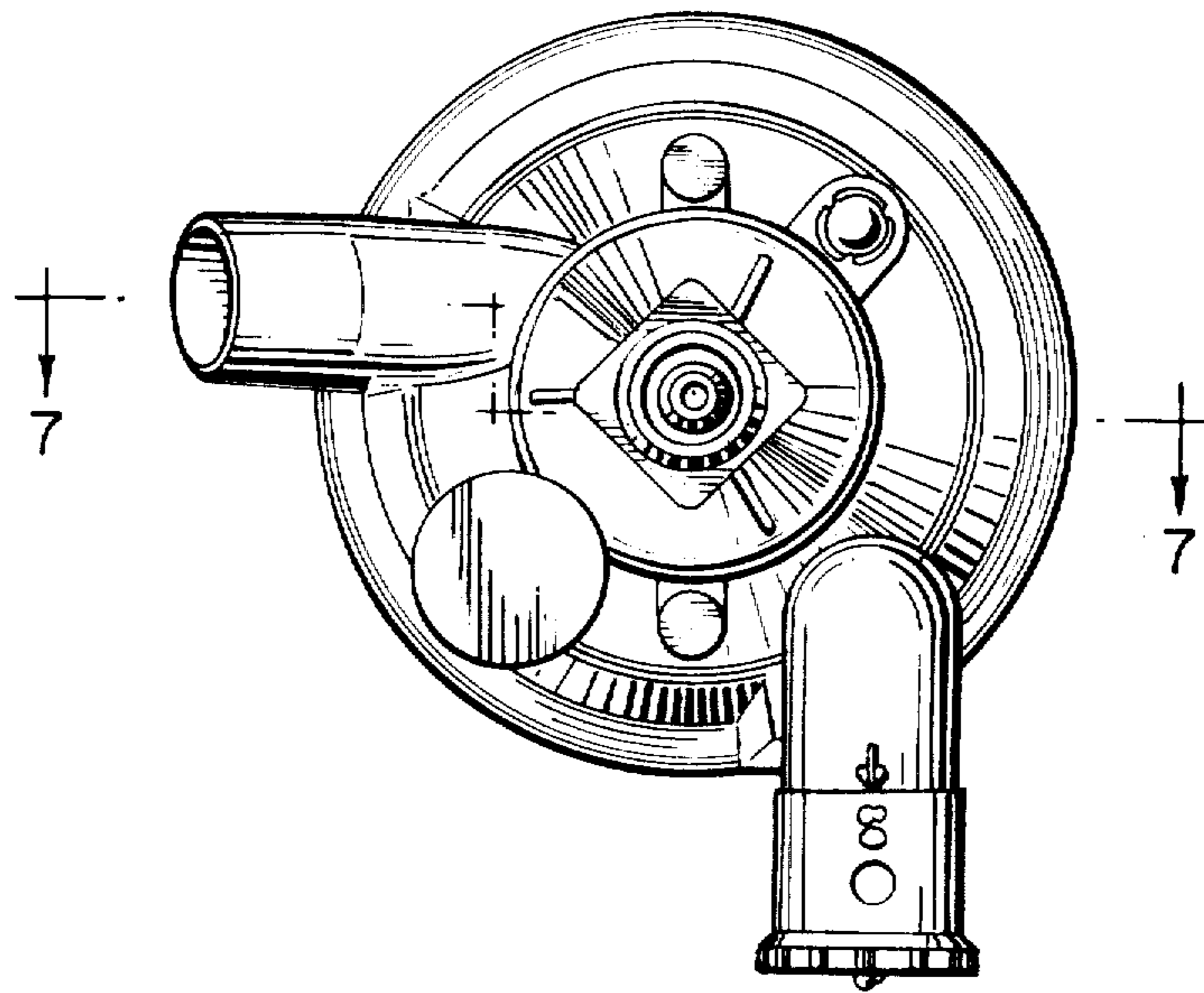


FIG. 5

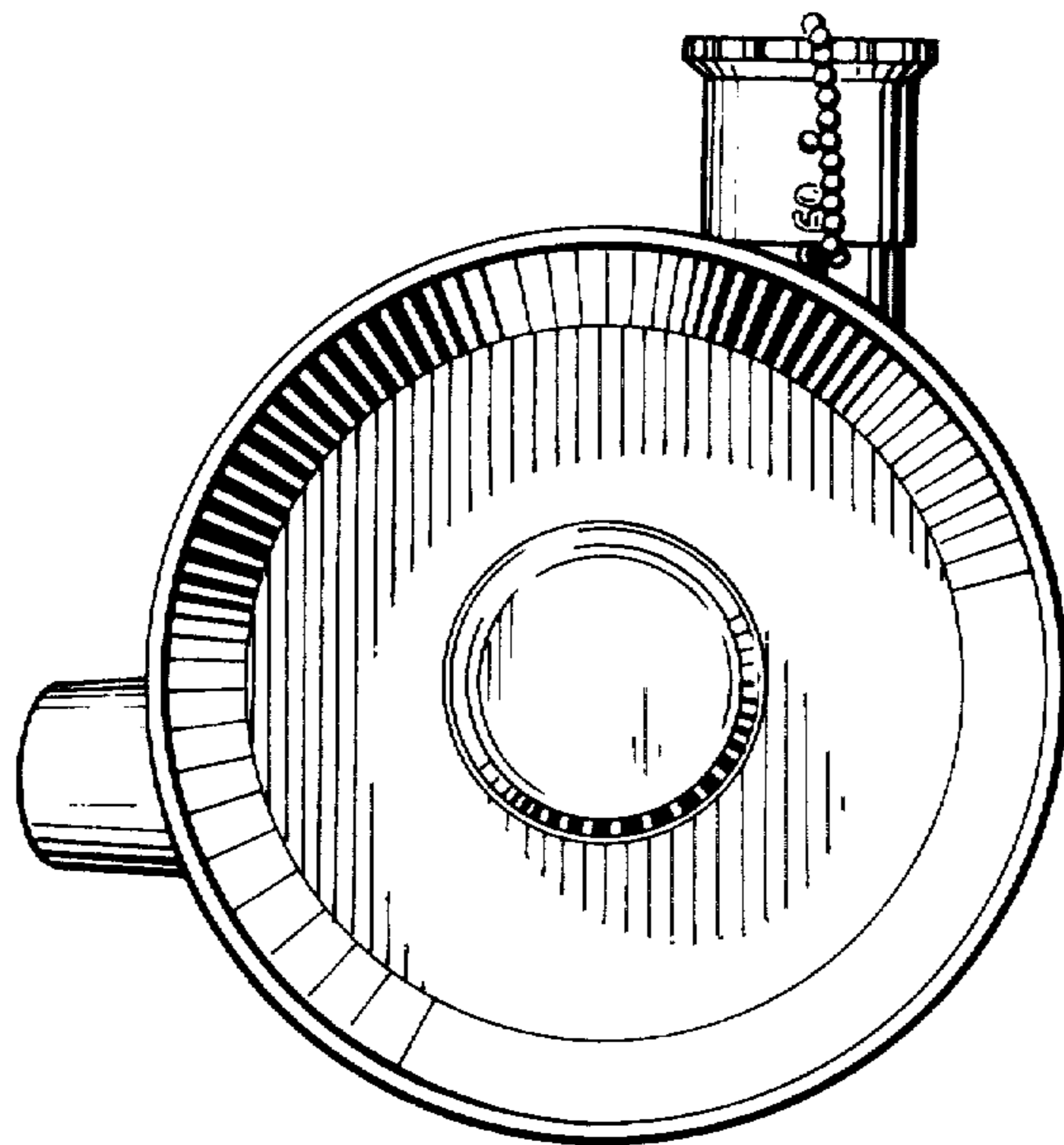


FIG. 6

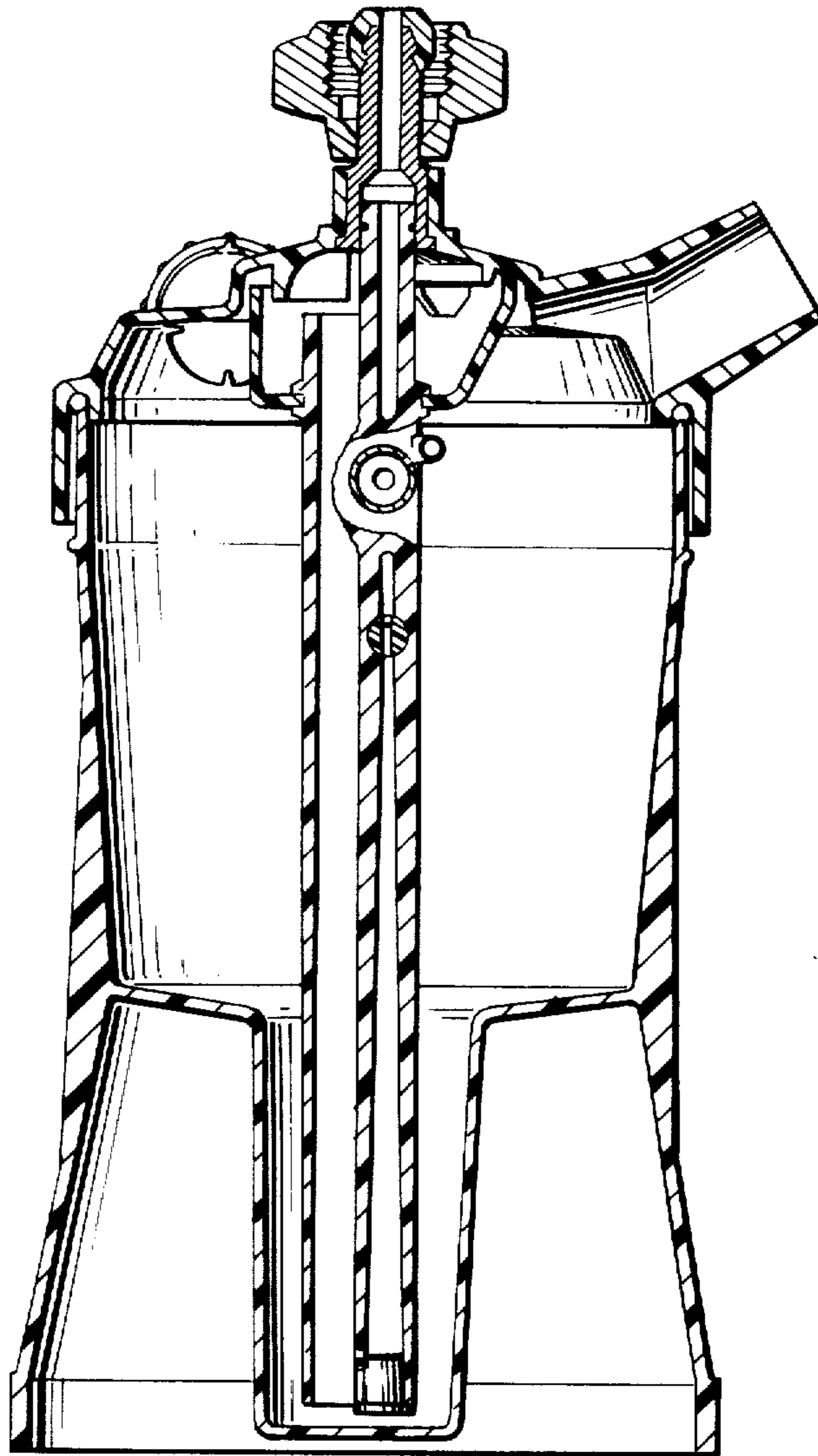


FIG. 7