

[54] ELECTRONIC METER FOR DETERMINING HUMAN PULSE RATE FROM A FINGERTIP

[75] Inventor: Phillip E. Ray, Denver, Colo.

[73] Assignee: Electromedics, Inc.

[**] Term: 14 Years

[21] Appl. No.: 567,542

[22] Filed: Apr. 14, 1975

[51] Int. Cl. D24-02

[52] U.S. Cl. D83/1 F

[58] Field of Search 128/2.05 E, 2.06 F, 128/2.05 T, 2.05 P, 2.05 A; 73/362; D10/57, 103, 100, 47; D83/1 F

[56] References Cited

U.S. PATENT DOCUMENTS

3,189,024	6/1965	Smith	128/2.05 A
3,229,685	1/1966	Ringkamp et al.	128/2.05 A
3,556,084	1/1971	Budde	128/2.05 P
3,908,636	9/1975	Page	128/2.05 T

3,920,004 11/1975 Nakayama 128/2.05 F

Primary Examiner—Bernard Ansher
Attorney, Agent, or Firm—Gary M. Polumbus

[57] CLAIM

The ornamental design for electronic meter for determining human pulse rate from a fingertip, as shown.

DESCRIPTION

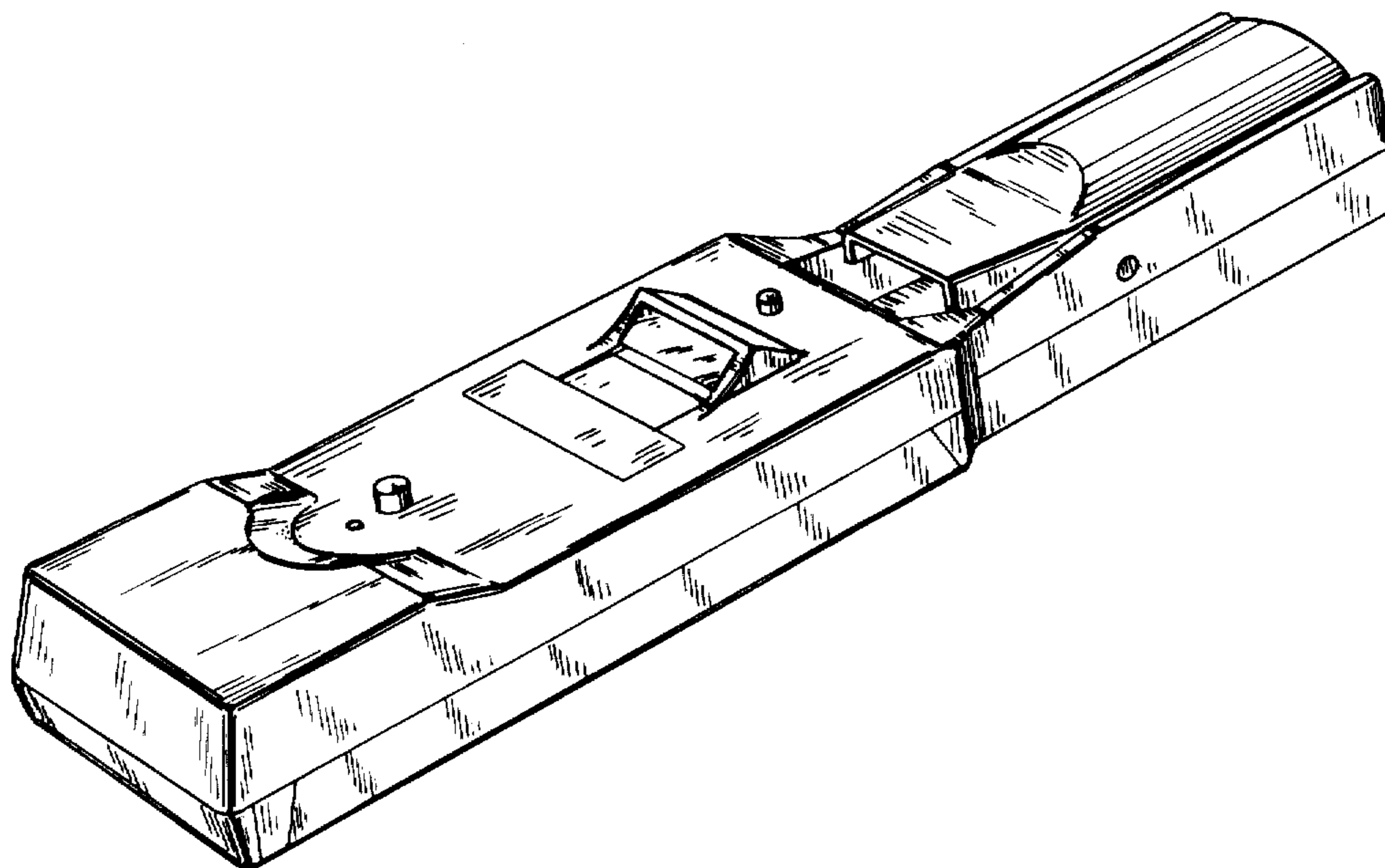
FIG. 1 is a perspective view of an electronic pulse meter for determining human pulse rate from a fingertip, showing my new design;

FIG. 2 is a top plan view of the pulse meter of FIG. 1. FIG. 3 is a side elevation of the pulse meter as it is shown in FIG. 2.

FIG. 4 is a bottom plan view of the pulse meter of FIG. 1.

FIG. 5 is a right end elevation of the pulse meter as shown in FIG. 2.

FIG. 6 is a left end elevation of the pulse meter as shown in FIG. 2.



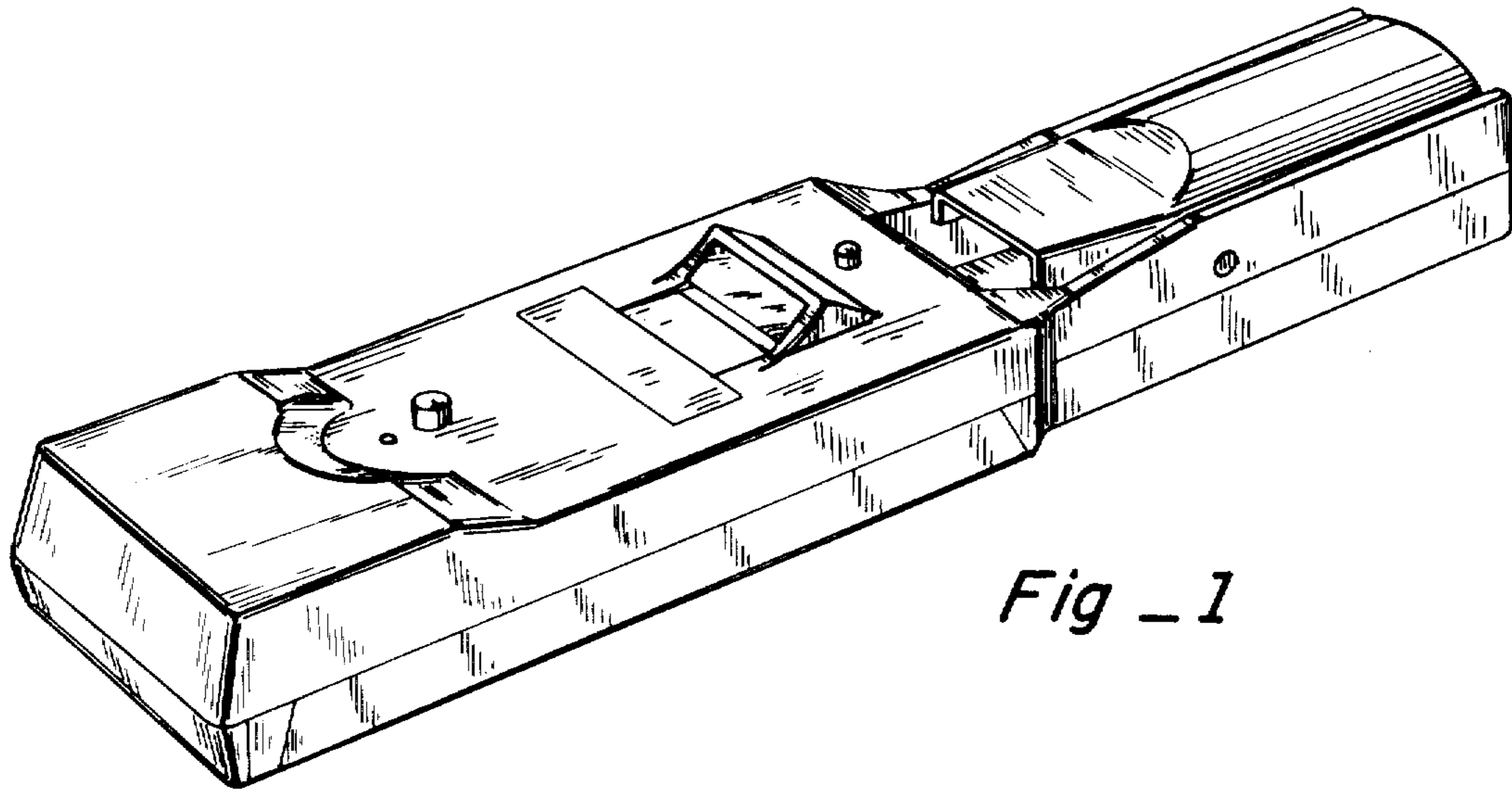
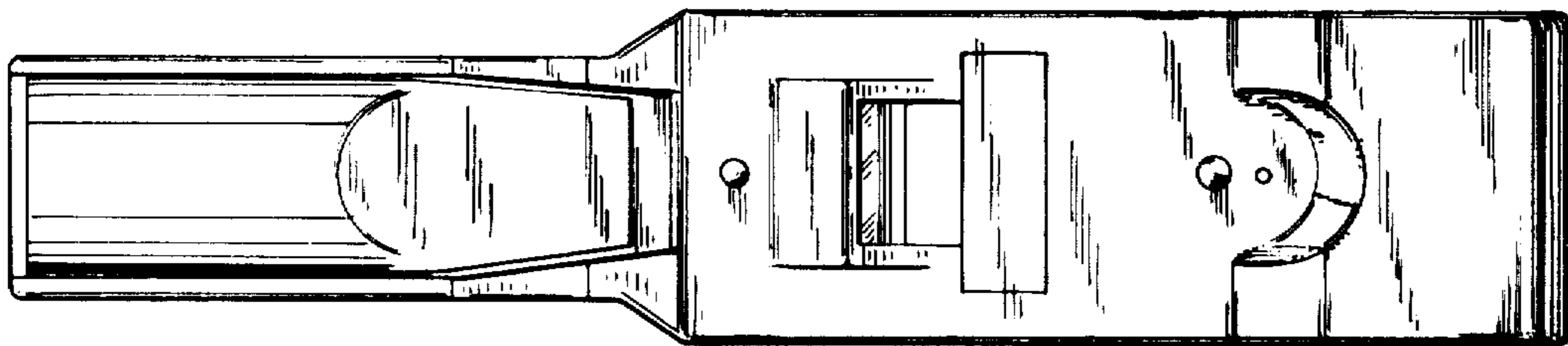
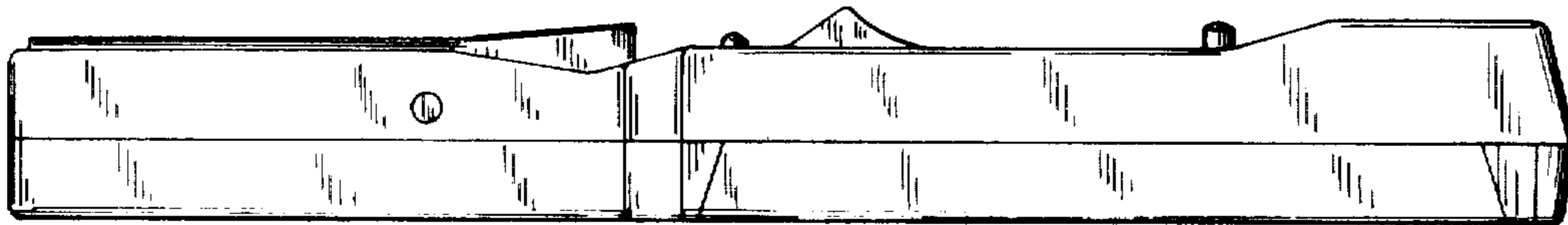


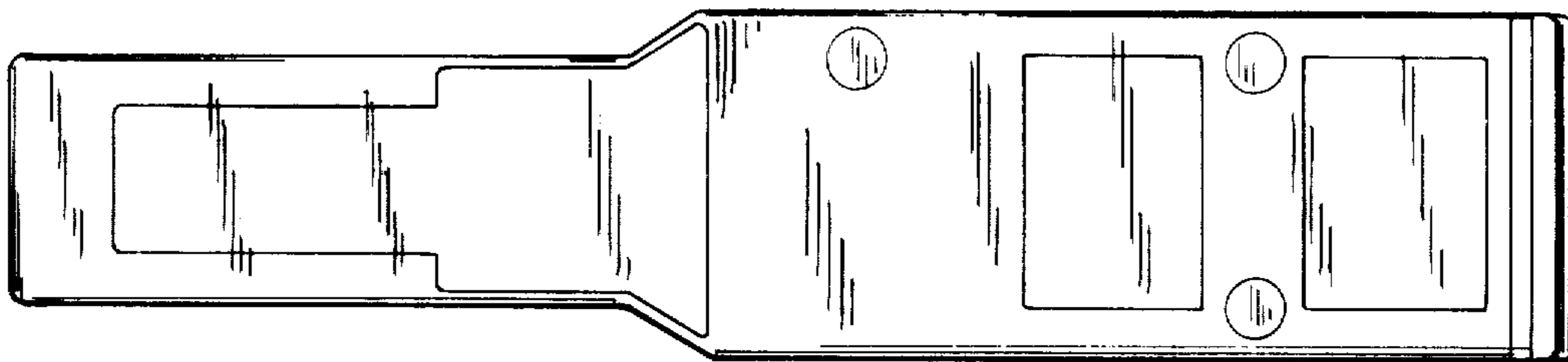
Fig - 1



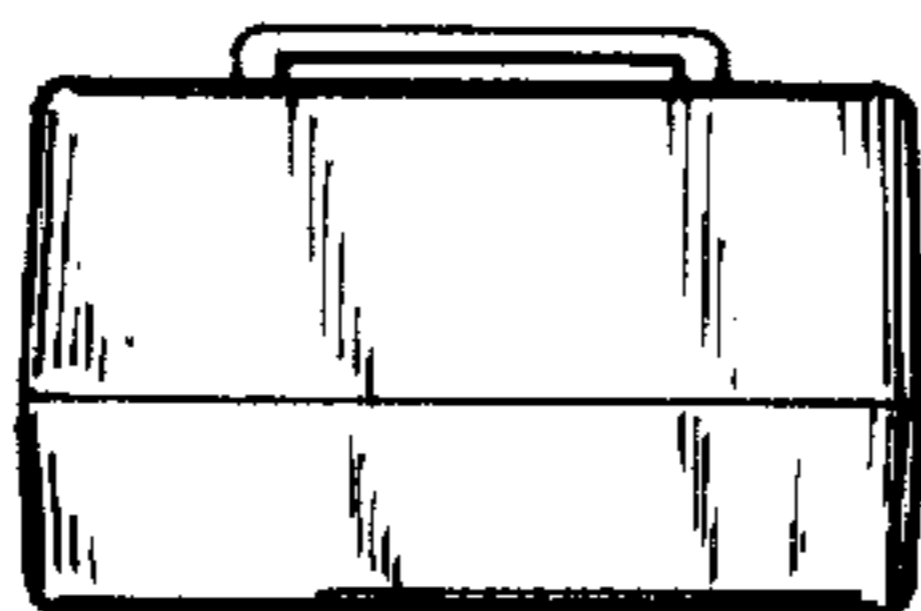
Fig_2



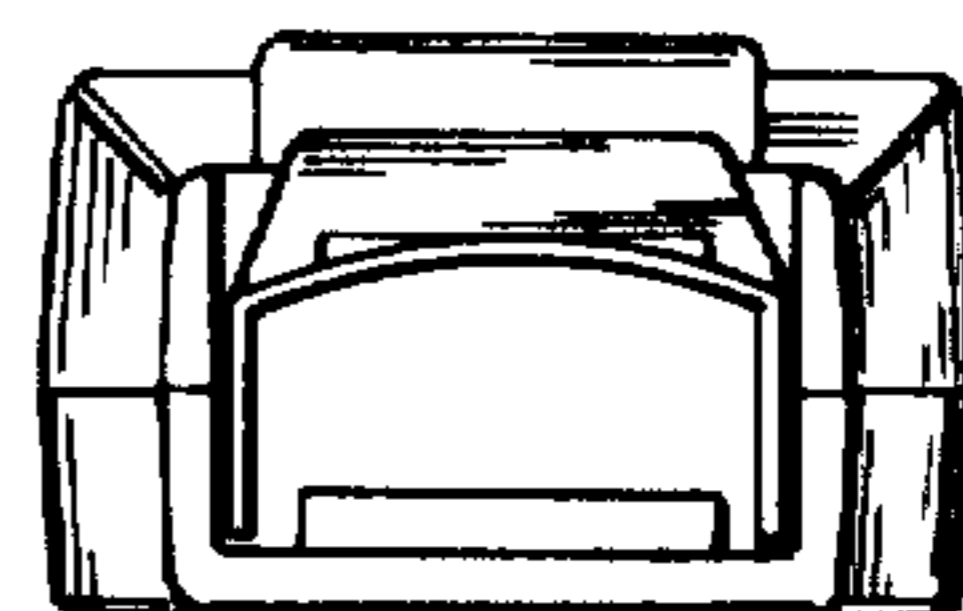
Fig_3



Fig_4



Fig_5



Fig_6