

[54] **LUMBO-SACRAL SUPPORT** 44,049 9/1938 Netherlands 128/78
 956,754 4/1964 United Kingdom 128/78

[75] Inventor: **Irving Spiro**, Miami, Fla.

[73] Assignee: **All Orthopedic Appliances, Inc.**

[**] Term: **14 Years**

[21] Appl. No.: **499,765**

[22] Filed: **Aug. 22, 1974**

[51] Int. Cl. **D24-99**

[52] U.S. Cl. **D83/1 J**

[58] Field of Search **D83/1 J; 128/78, 578, 128/579; 2/311, 312, 44**

[56] **References Cited**

U.S. PATENT DOCUMENTS

| | | | |
|-----------|--------|----------------|-----------|
| 1,974,283 | 9/1934 | Kendrick | 128/78 |
| 2,117,309 | 5/1938 | Fritsch | 128/78 |
| 2,476,029 | 7/1949 | Dawson | 128/78 |
| 2,543,095 | 2/1951 | Davis | 128/579 R |
| 3,362,402 | 1/1968 | Loeffel et al. | 128/78 |
| 3,717,143 | 2/1973 | Johnson | 128/78 |

FOREIGN PATENT DOCUMENTS

| | | | |
|-----------|--------|---------|-----------|
| 1,390,831 | 1/1965 | France | 128/78 |
| 489,307 | 1/1930 | Germany | 128/579 R |

OTHER PUBLICATIONS

Journal of Bone and Joint Surgery, p. 35, Lumbo-Sacral Support, top left side of page.

Primary Examiner—Wallace R. Burke
Assistant Examiner—James M. Gandy
Attorney, Agent, or Firm—Salvatore G. Militana

[57] **CLAIM**

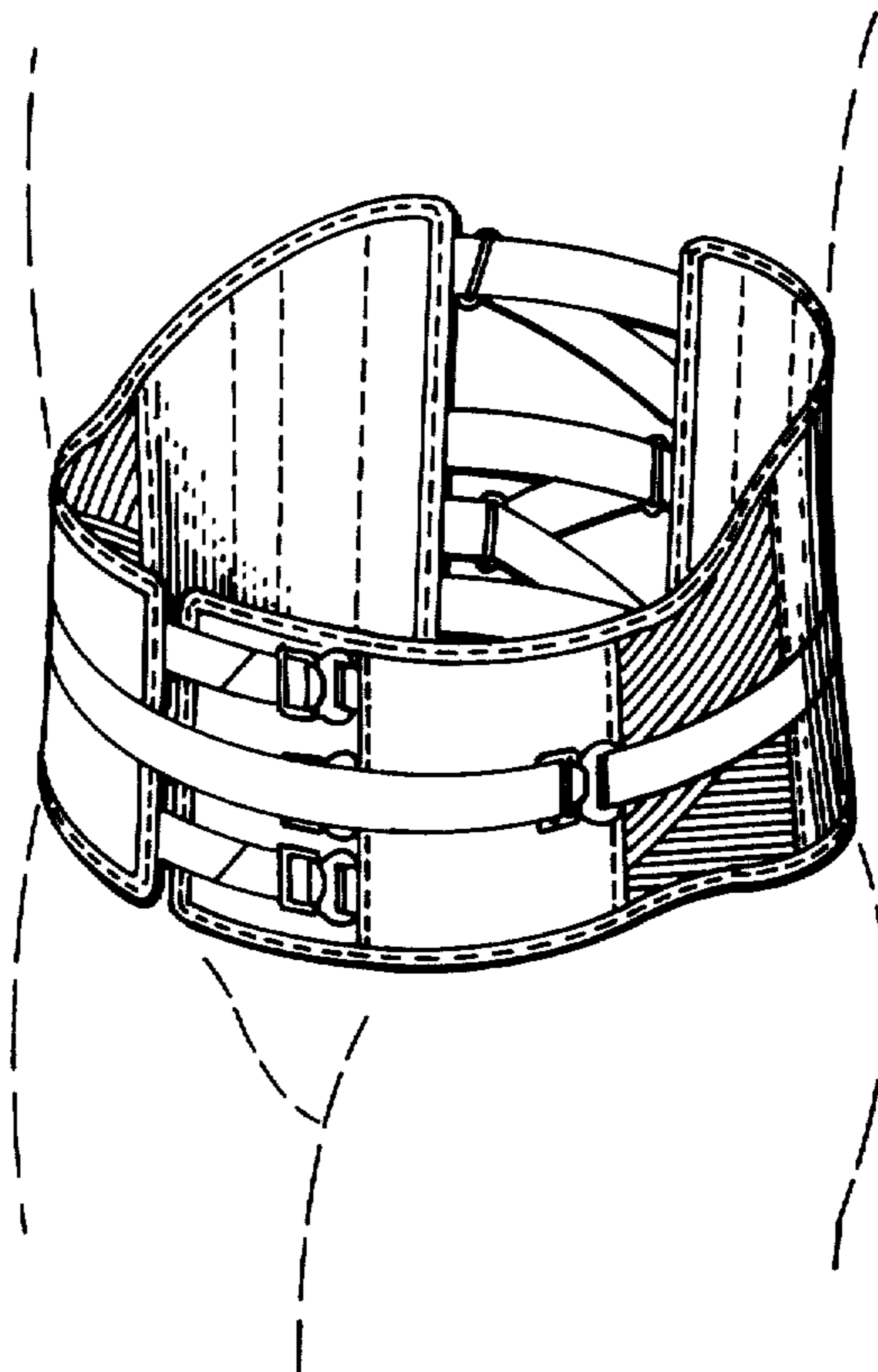
The ornamental design for a lumbo-sacral support, substantially as shown and described.

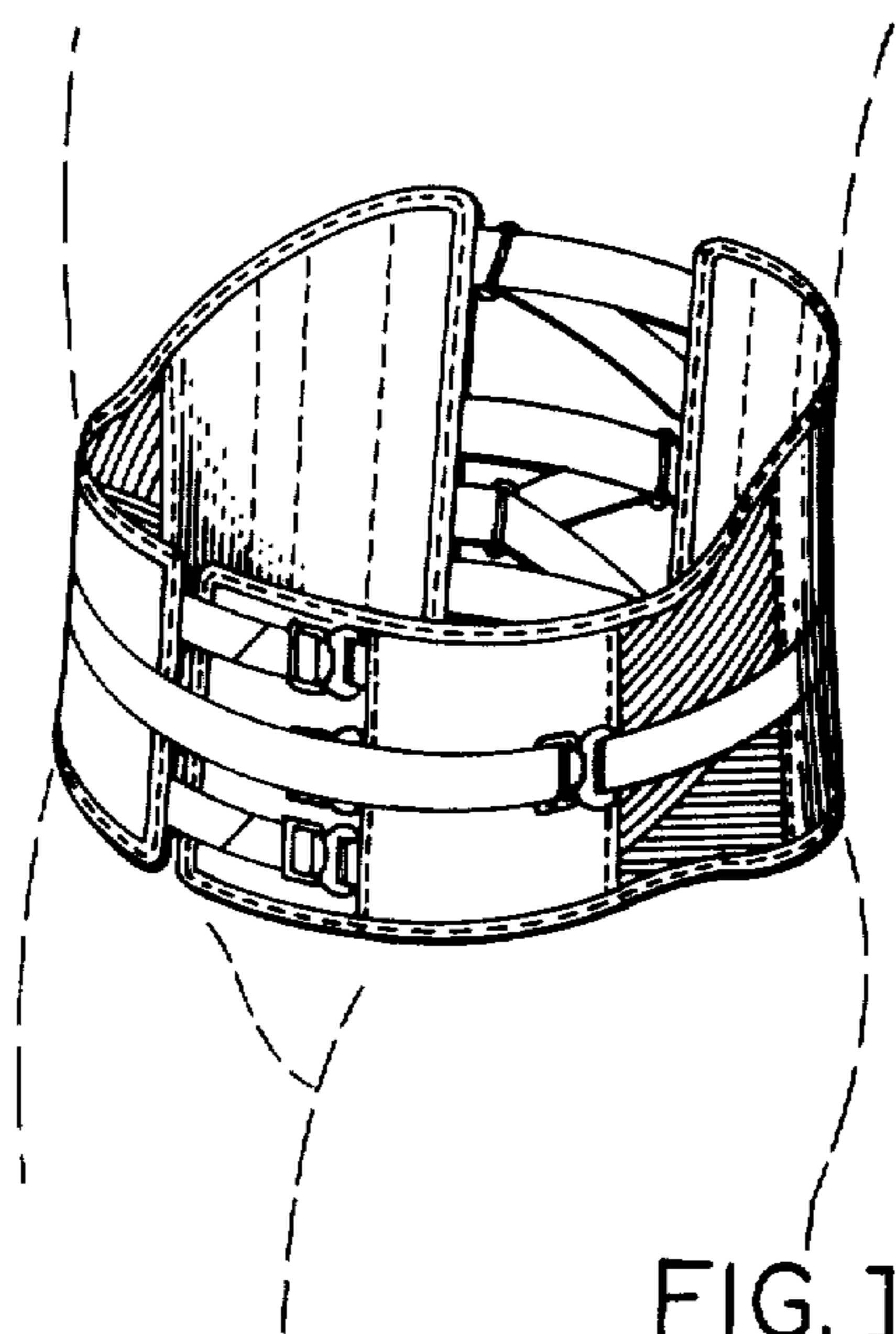
DESCRIPTION

FIG. 1 is a perspective view of a lumbo-sacral support showing my new design and positioned about a person's body indicated by dotted lines for illustrative purposes only.

FIG. 2 is a plan view of the outside thereof; and FIG. 3 is a plan view of the inside thereof.

The broken lines on the lumbo-sacral support in the drawing are understood to be representative of stitching.





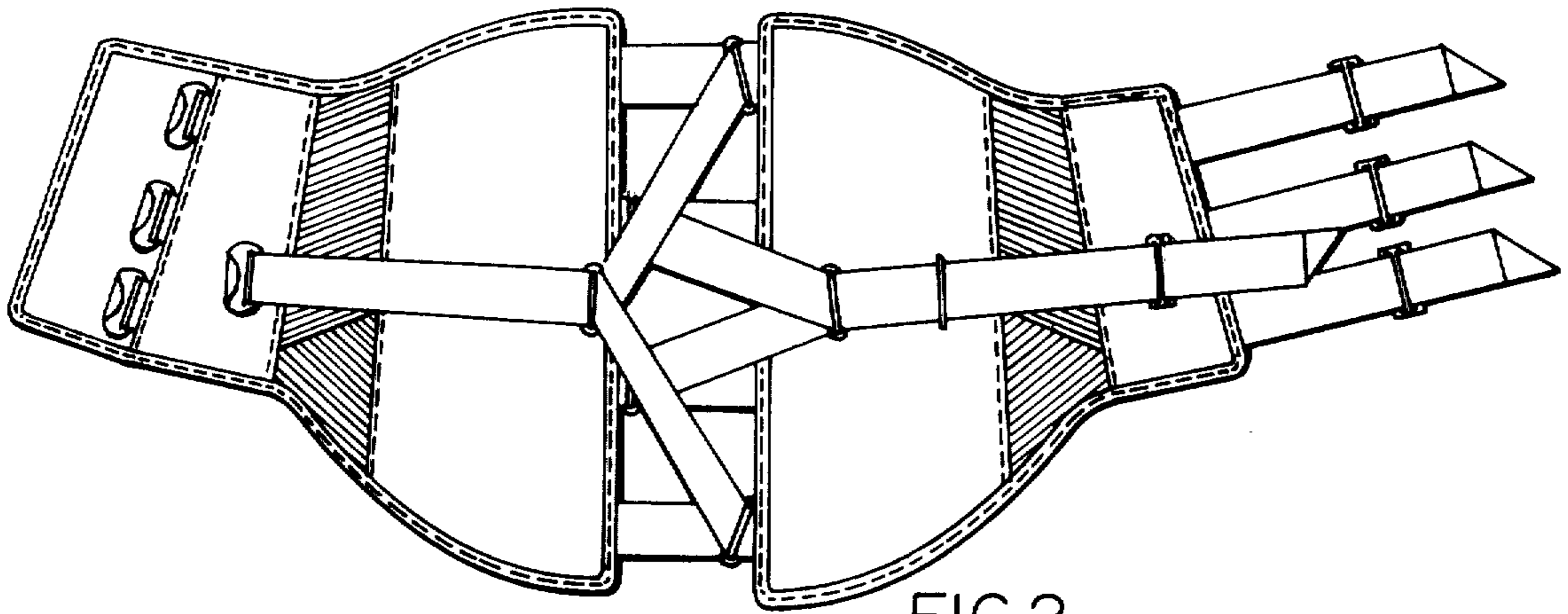


FIG. 2

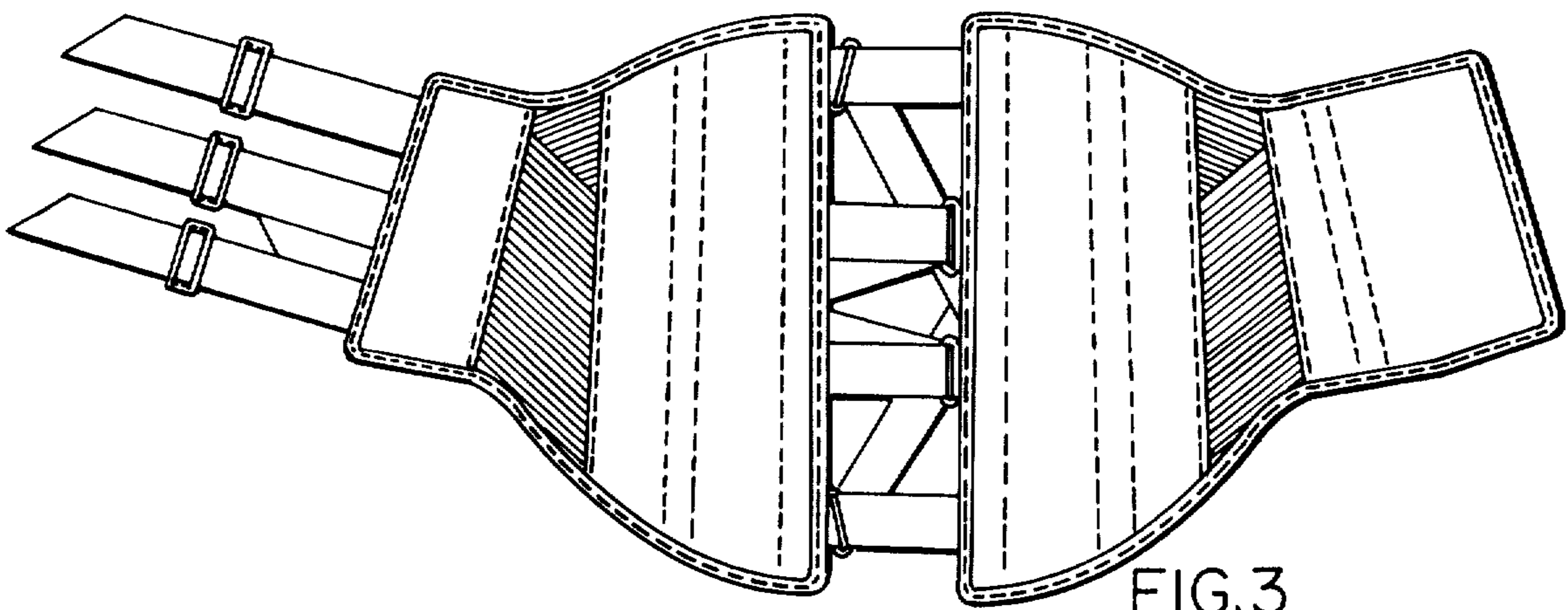


FIG. 3