

[54] CYCLE EXERCISER

[76] Inventor: **Richard I. Proctor**, 3201 Orange Grove Ave., North Highlands, Calif. 95660

[\*\*] Term: **14 Years**

[21] Appl. No.: **585,315**

[22] Filed: **June 9, 1975**

[51] Int. Cl. .... **D21-03**

[52] U.S. Cl. .... **D34/5 K**

[58] Field of Search ..... D34/5 K; 272/109, 110, 272/111, 112, 114, 118, 119, 125, 134, 143, 73, 79

[56] **References Cited**

**U.S. PATENT DOCUMENTS**

2,238,295 4/1941 Snyder ..... D34/5 K  
D. 218,623 9/1970 Margolies ..... D34/5 K

**OTHER PUBLICATIONS**

Sears, Fall and Winter, 1967, p. 849, "Triple-Action Exerciser", at bottom right corner of page.

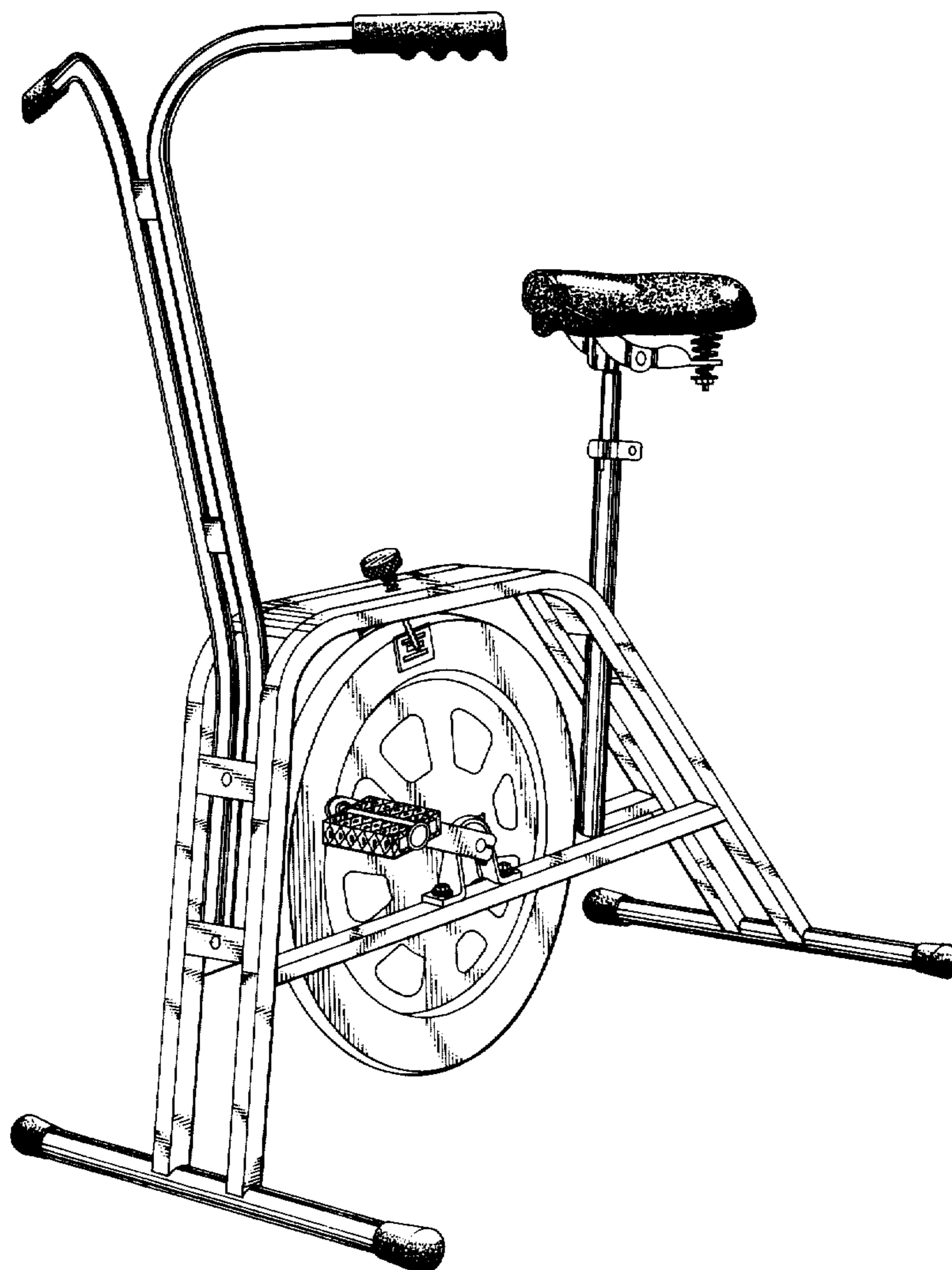
*Primary Examiner*—Joel Stearman  
*Assistant Examiner*—C. A. Rademaker  
*Attorney, Agent, or Firm*—Robert G. West

[57] **CLAIM**

The ornamental design for an cycle exerciser, as shown.

**DESCRIPTION**

FIG. 1 is a front perspective view of an cycle exerciser, showing my new design;  
FIG. 2 is a front elevational view;  
FIG. 3 is a rear elevational view; and,  
FIG. 4 is a top plan view.



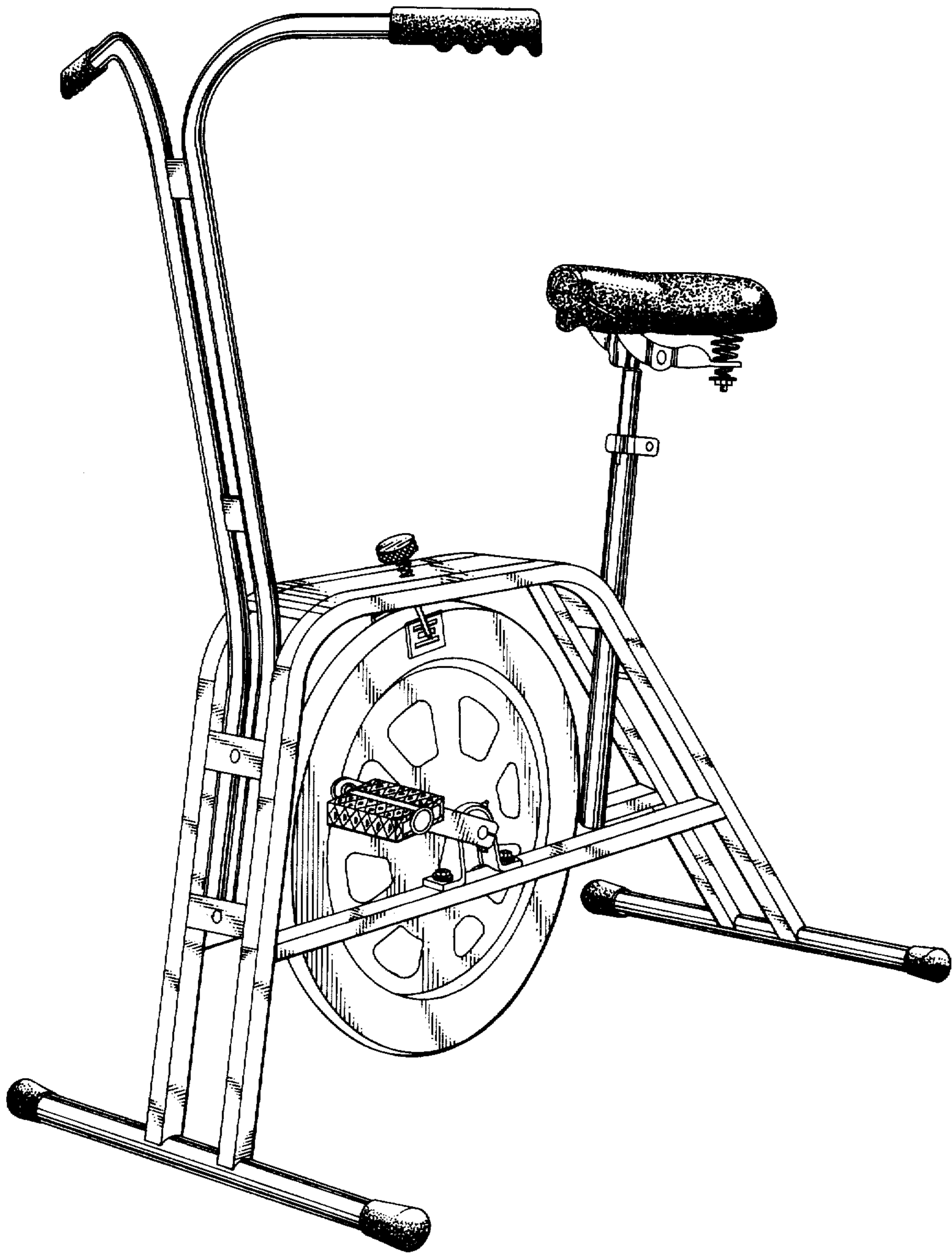


FIG 1

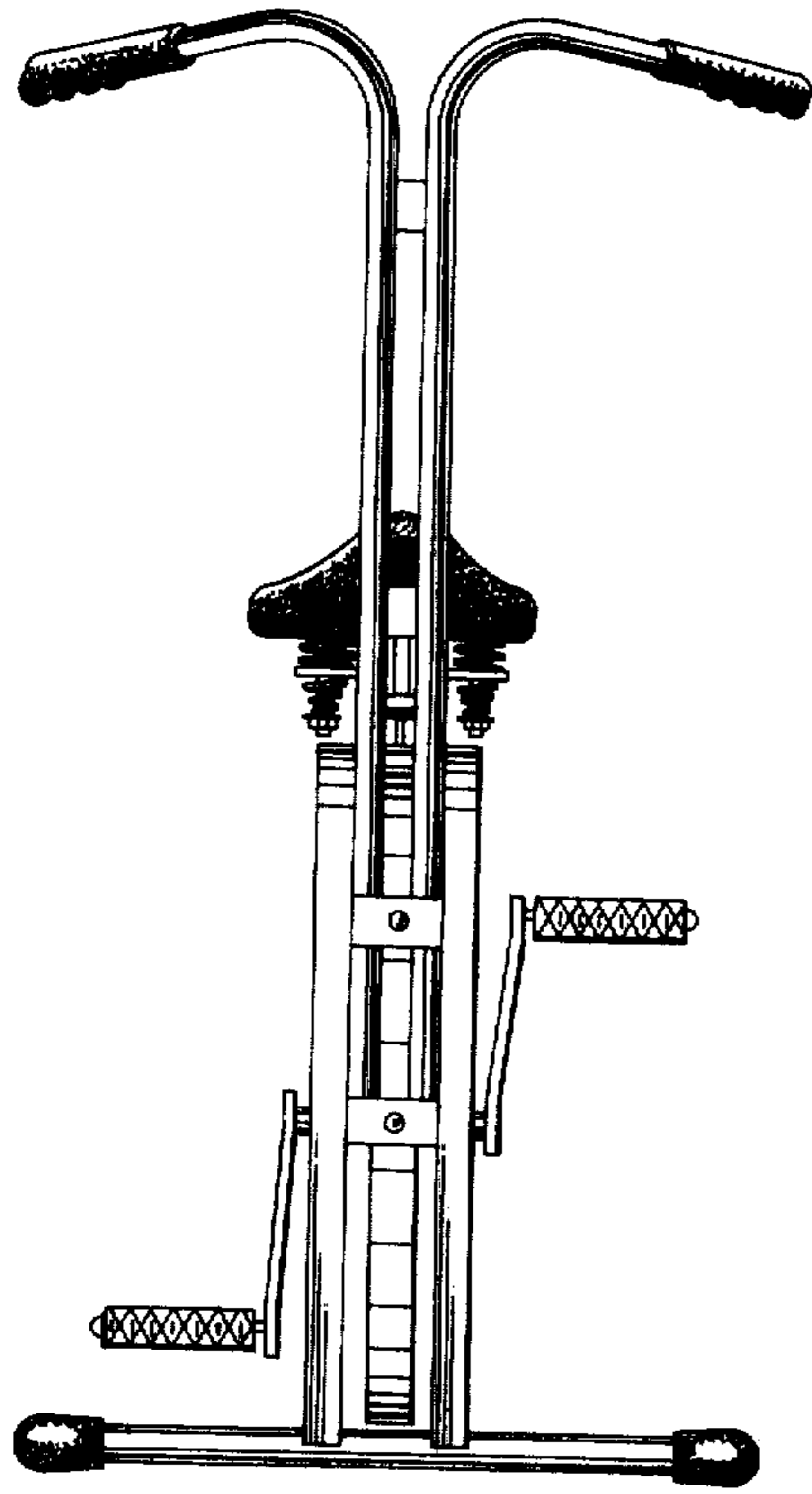


FIG 2

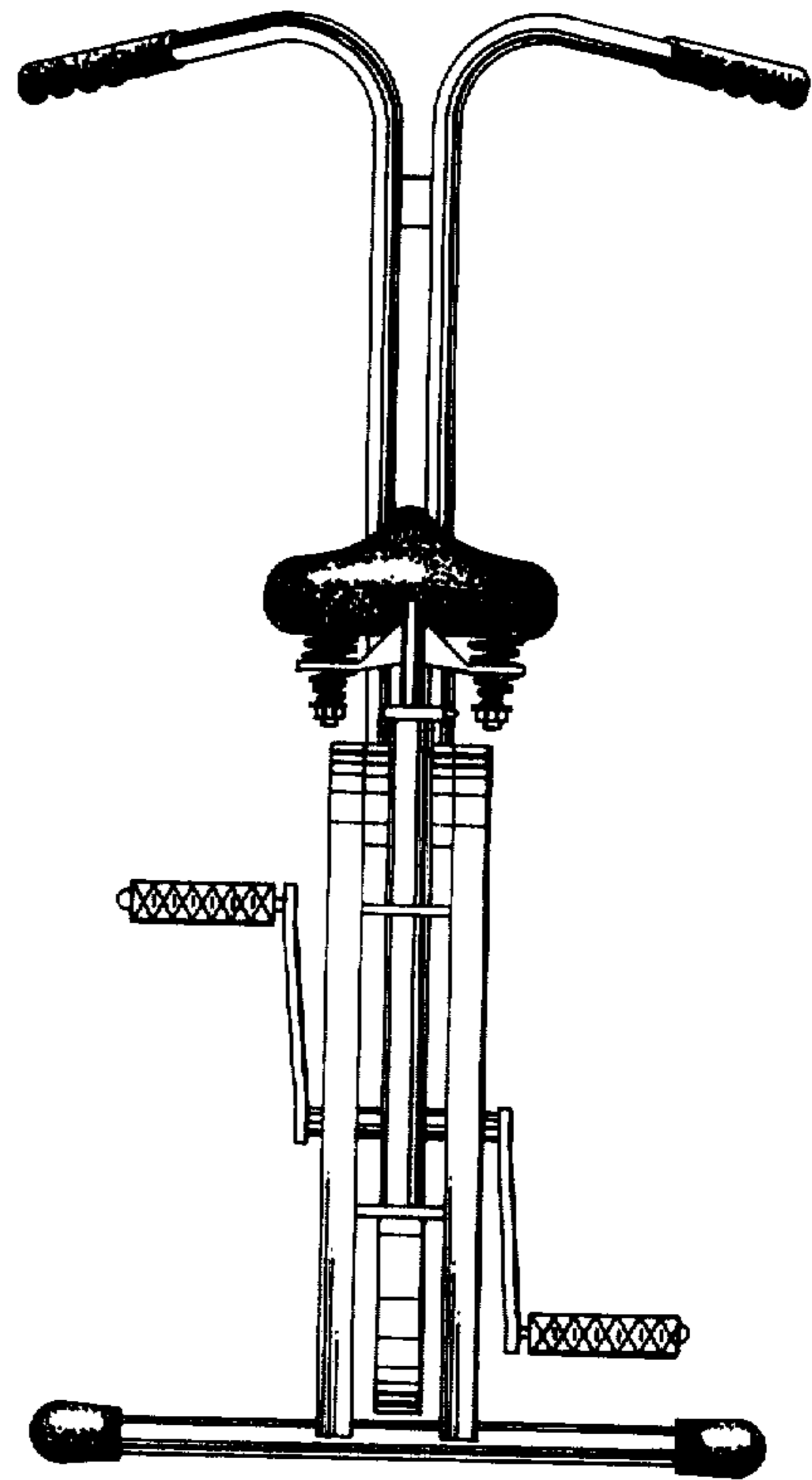


FIG 3

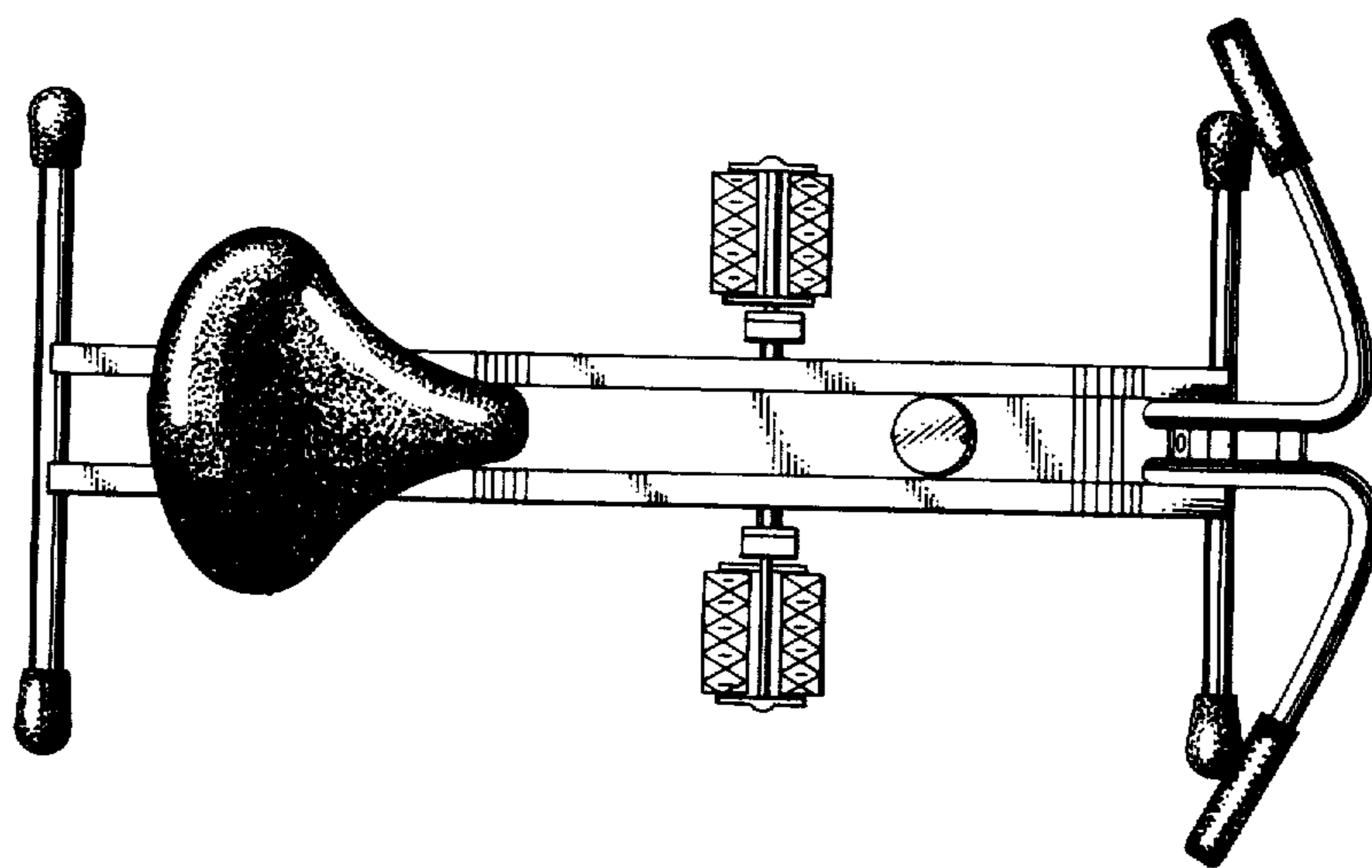


FIG 4