

- [54] **AQUARIUM STAND**
- [75] Inventors: **Richard S. Young**, Frankenmuth;
Leo E. Hearn, Flint, both of Mich.
- [73] Assignee: **Pentaco Enterprises Corporation**,
Clio, Mich.
- [**] Term: **14 Years**
- [21] Appl. No.: **421,056**
- [22] Filed: **Dec. 3, 1973**

- D. 181,164 10/1957 Remstein D6/177
- D. 230,165 1/1974 Young et al. D30/12

OTHER PUBLICATIONS

Metaframe Cat. No. 70, 1970, p. 6, top of page.

Primary Examiner—Melvin B. Feifer
Assistant Examiner—George P. Word
Attorney, Agent, or Firm—Learman & McCulloch

Related U.S. Application Data

- [62] Division of Ser. No. 261,096, June 12, 1972, Pat. No. 233,050.

- [51] **Int. Cl.** **D6-06**
- [52] **U.S. Cl.** **D30/12**
- [58] **Field of Search** D30/6-12;
D6/85, 177, 179, 191, 196; 119/5

References Cited

U.S. PATENT DOCUMENTS

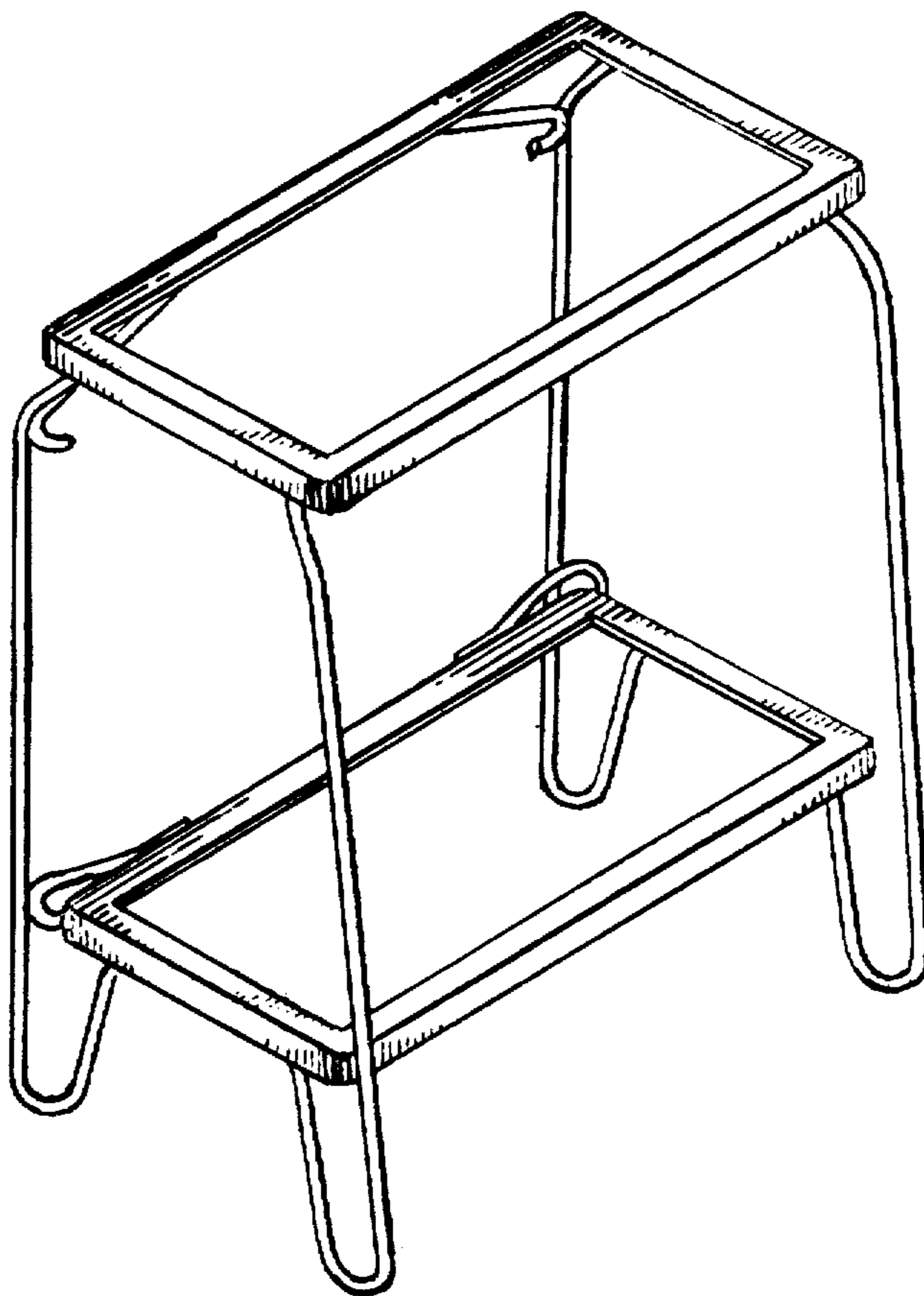
- D. 172,594 7/1954 Gulchard D6/196

[57] **CLAIM**

The ornamental design for an aquarium stand, as shown.

DESCRIPTION

FIG. 1 is a perspective view of an aquarium stand showing our new design;
FIG. 2 is a left side elevational view;
FIG. 3 is a rear elevational view;
FIG. 4 is a front elevational view;
FIG. 5 is a top plan view; and
FIG. 6 is a bottom plan view.



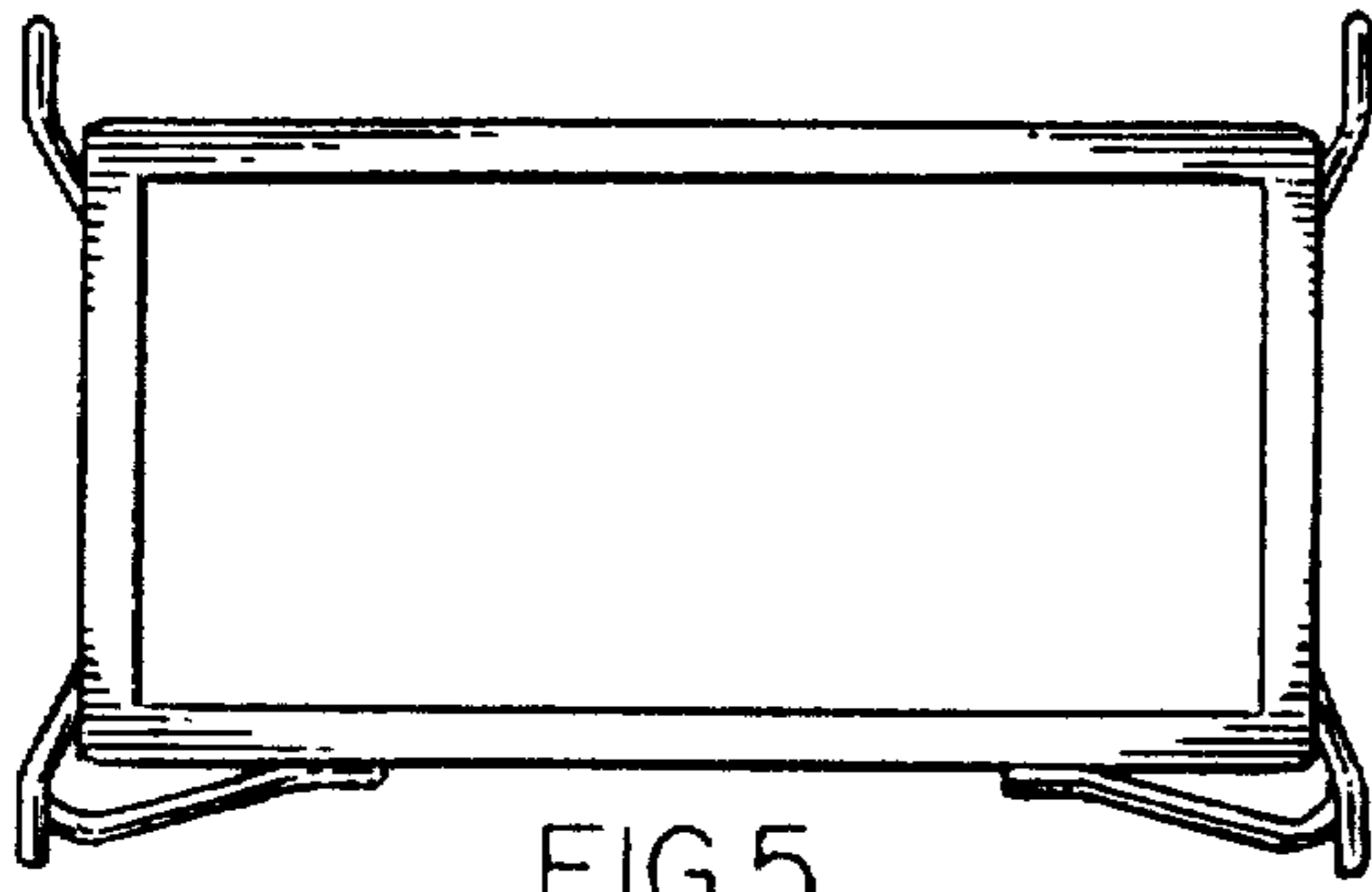


FIG. 5

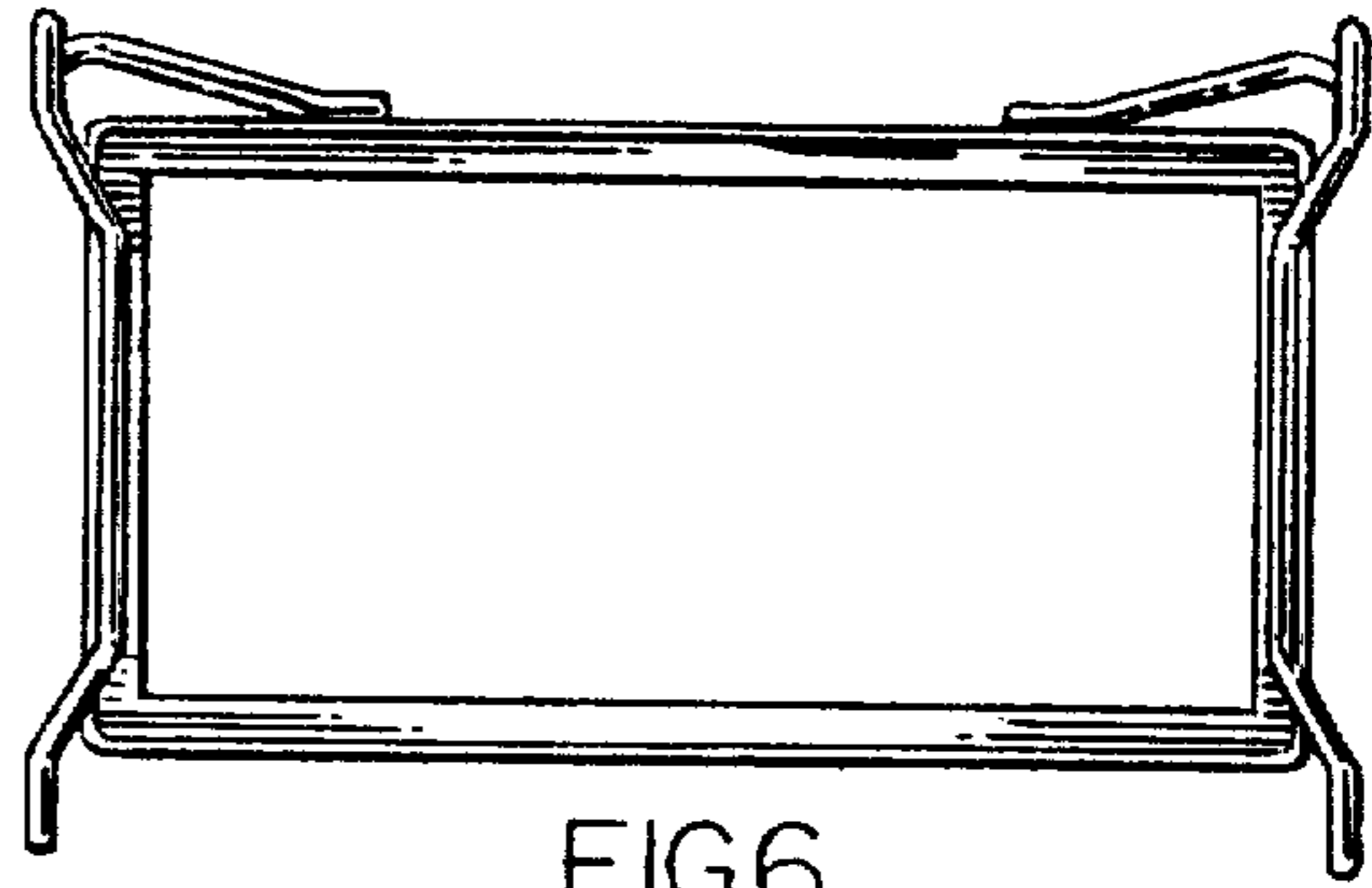


FIG. 6

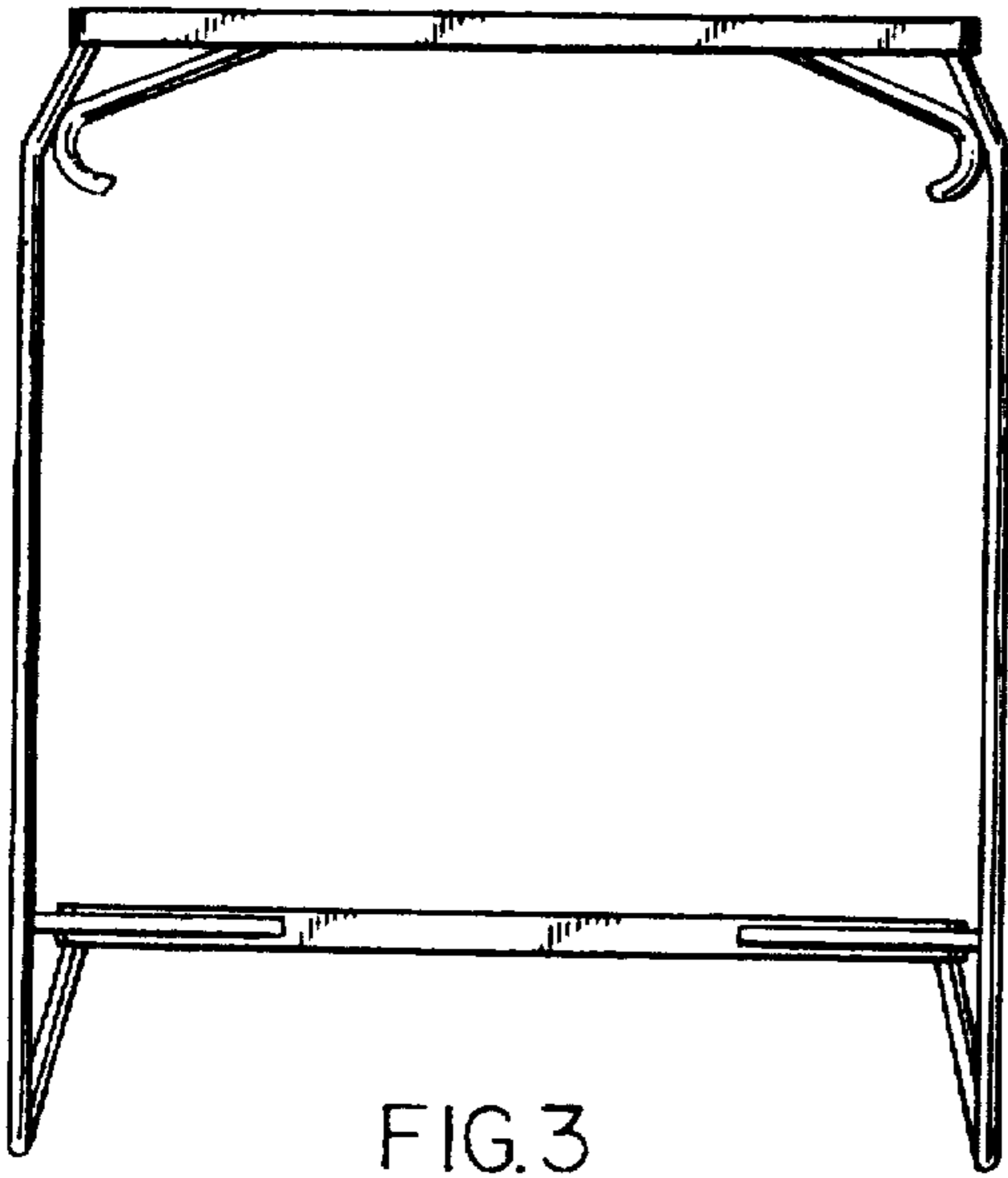


FIG. 3

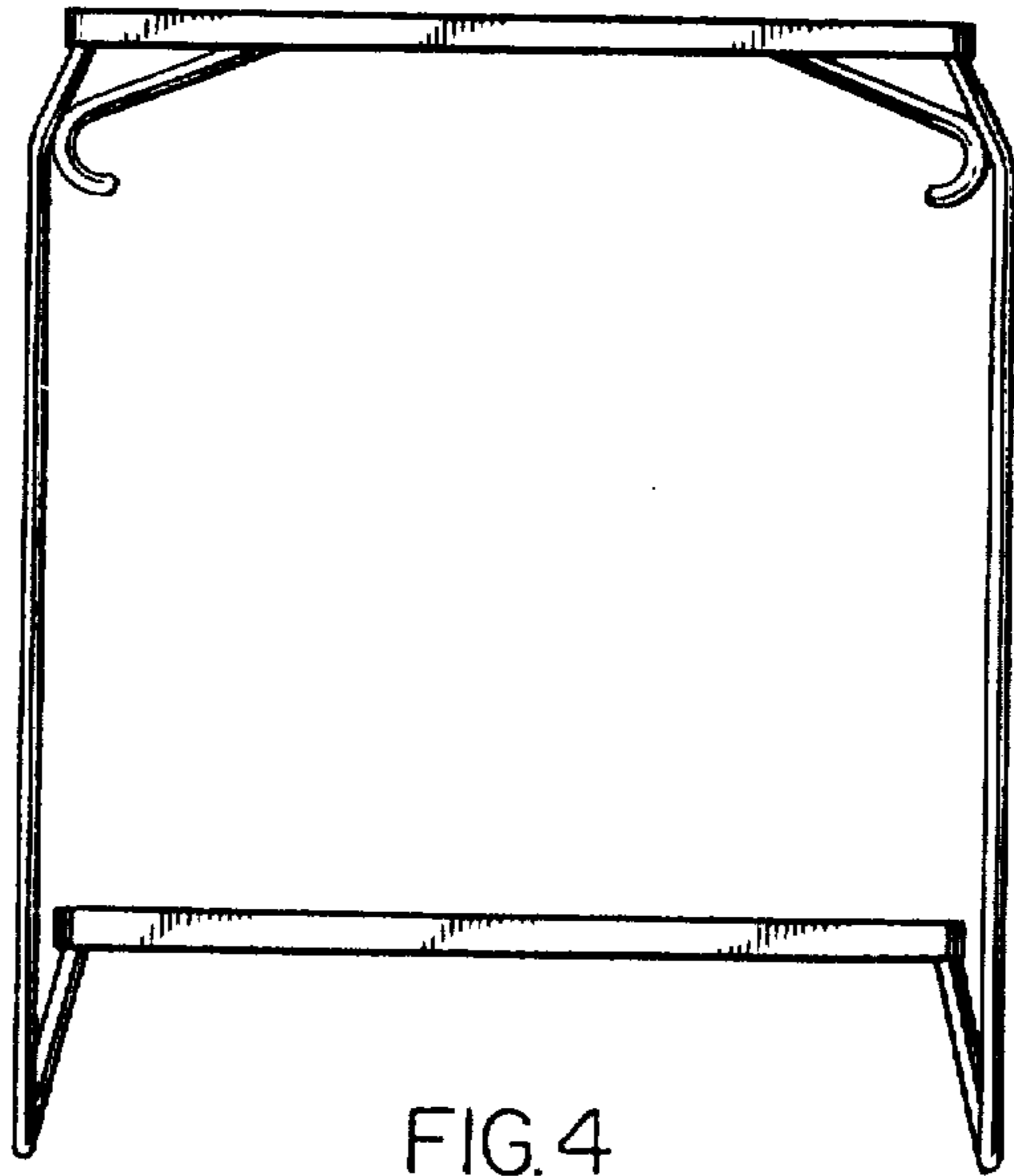


FIG. 4

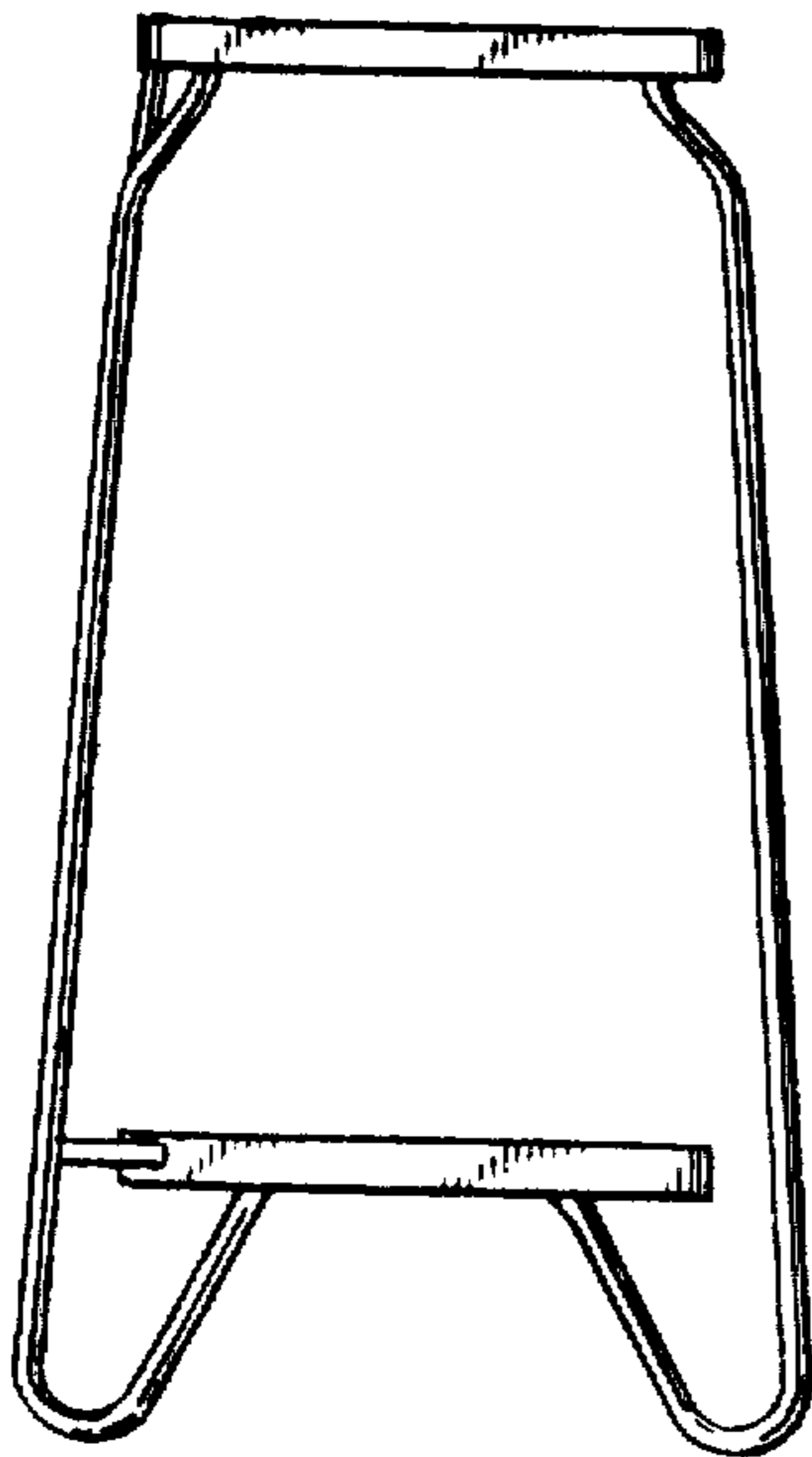


FIG. 2

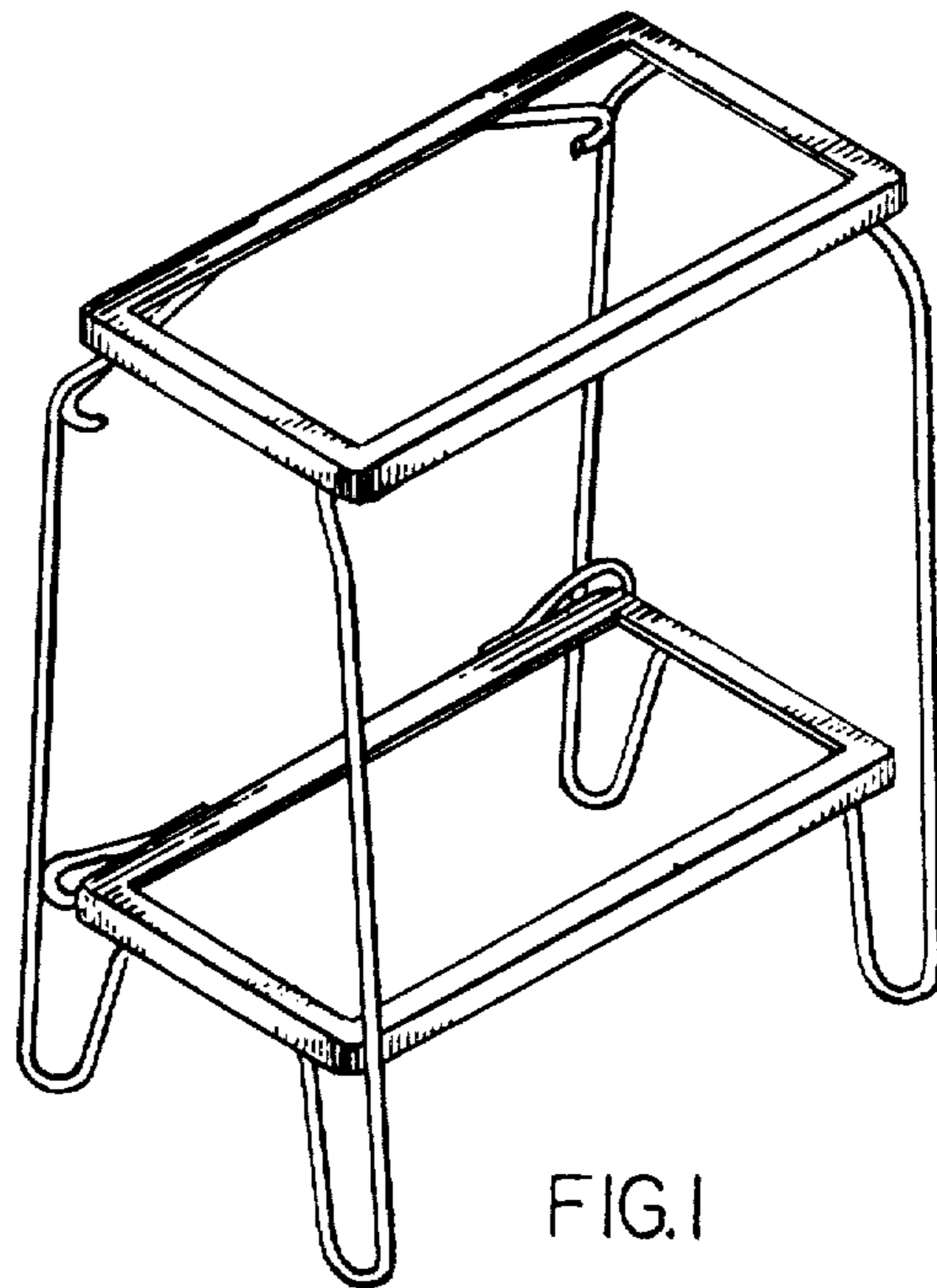


FIG. 1