

[54] SWIMMING POOL LADDER

[75] Inventor: Raymond C. Confer, Gasport, N.Y.

[73] Assignee: Confer Plastics, Inc., North Tonawanda, N.Y.

[\*\*] Term: 14 Years

[21] Appl. No.: 574,431

[22] Filed: May 5, 1975

[51] Int. Cl. .... D6-99

[52] U.S. Cl. .... D25/64

[58] Field of Search ..... D54/1 A; D34/5 F; D13/1 G, 7 R; 4/172; 182/46, 118, 106, 93; D25/64

[56] References Cited

U.S. PATENT DOCUMENTS

3,428,146	2/1969	Bair	182/106
D. 238,607	1/1976	Gannon	D54/1 A

Primary Examiner—Wallace R. Burke  
Assistant Examiner—James M. Gandy  
Attorney, Agent, or Firm—Kenneth R. Sommer

[57] CLAIM

The ornamental design for a swimming pool ladder, substantially as shown and described.

DESCRIPTION

FIG. 1 is a perspective view of a swimming pool ladder embodying my new design.  
FIG. 2 is a top plan view thereof.  
FIG. 3 is a front elevational view thereof, the rear being a mirror image of the front shown herein.  
FIG. 4 is a side elevational view thereof, the opposite side being a mirror image of the side shown herein.  
FIG. 5 is a bottom plan view thereof.

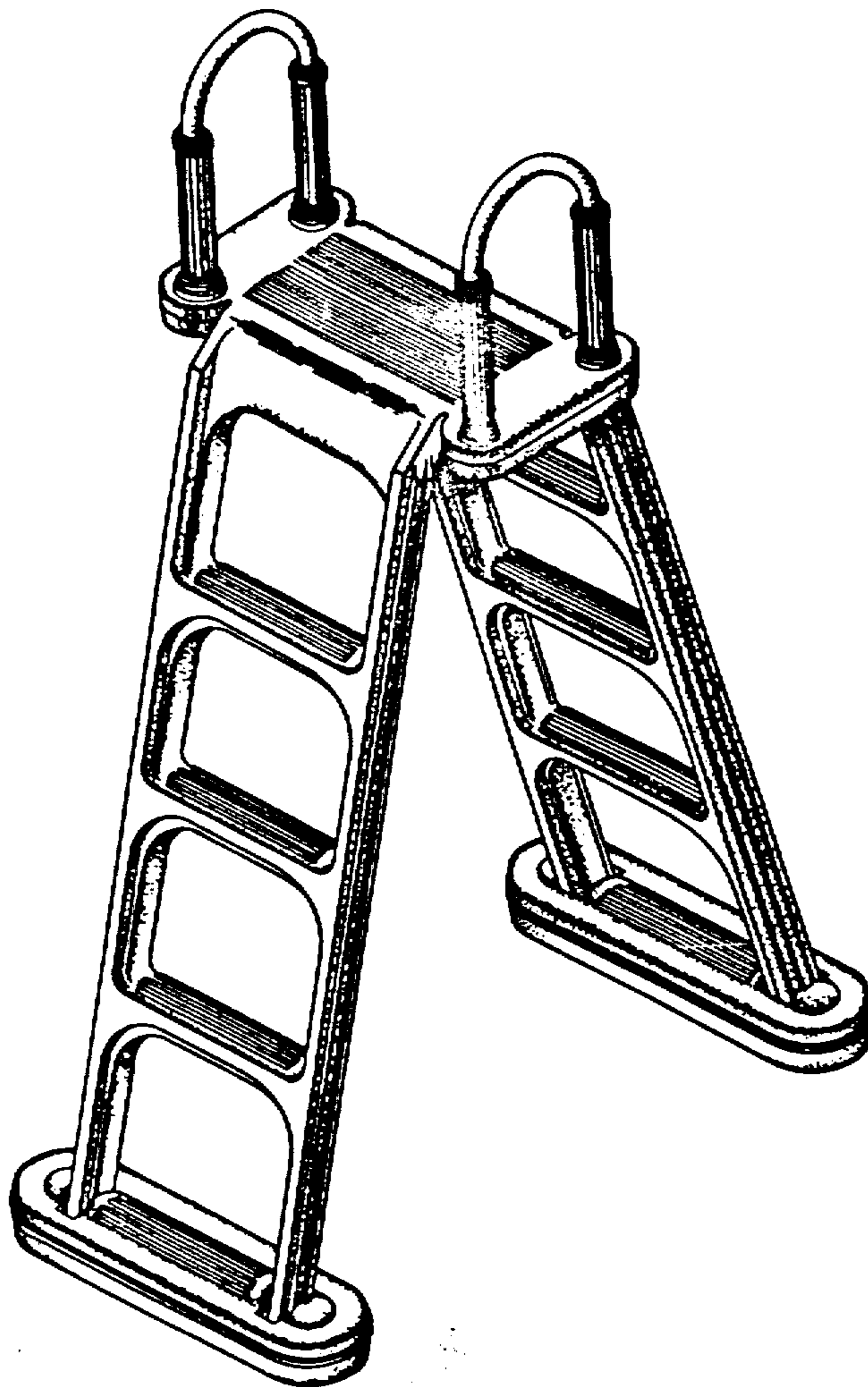
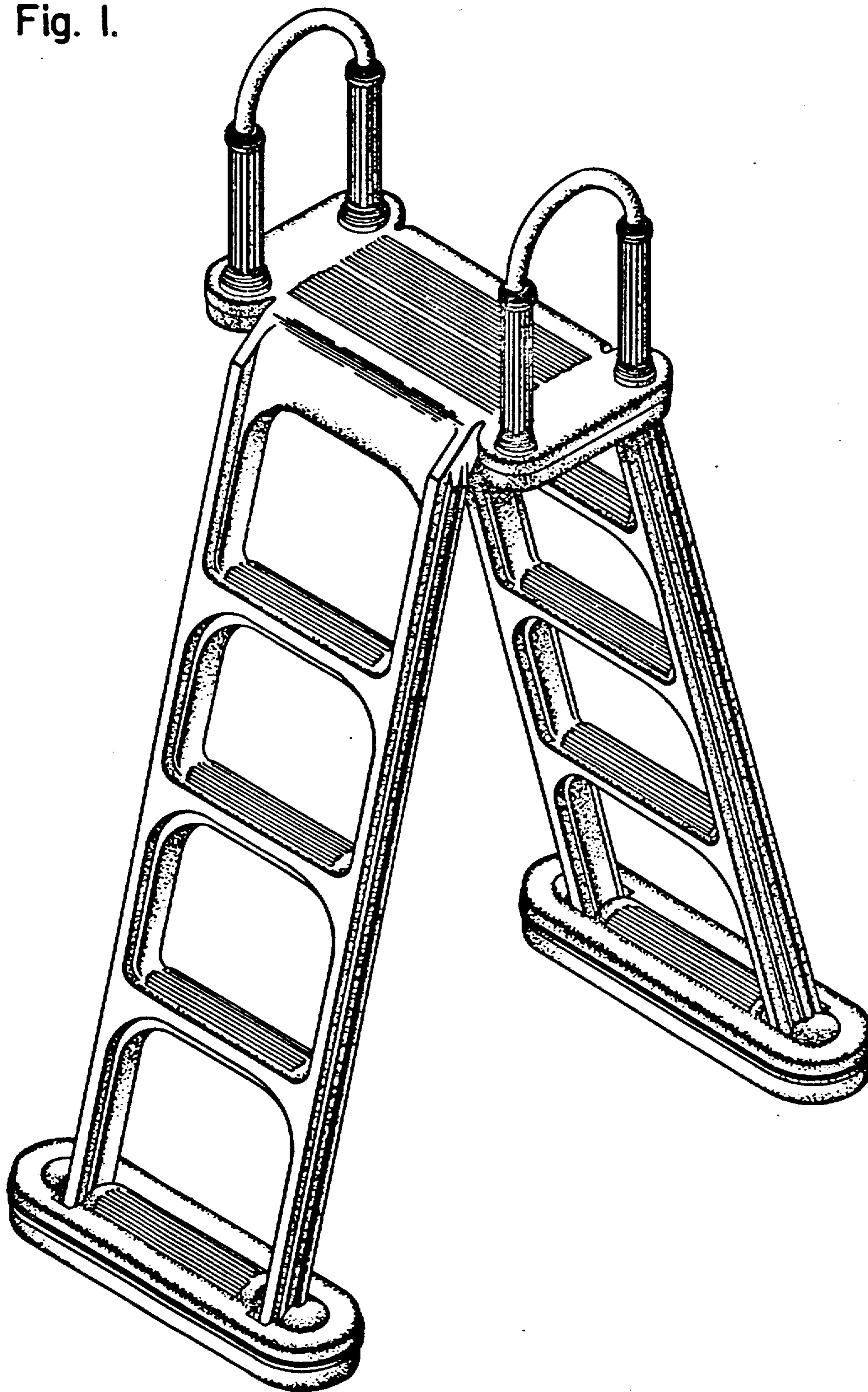


Fig. 1.



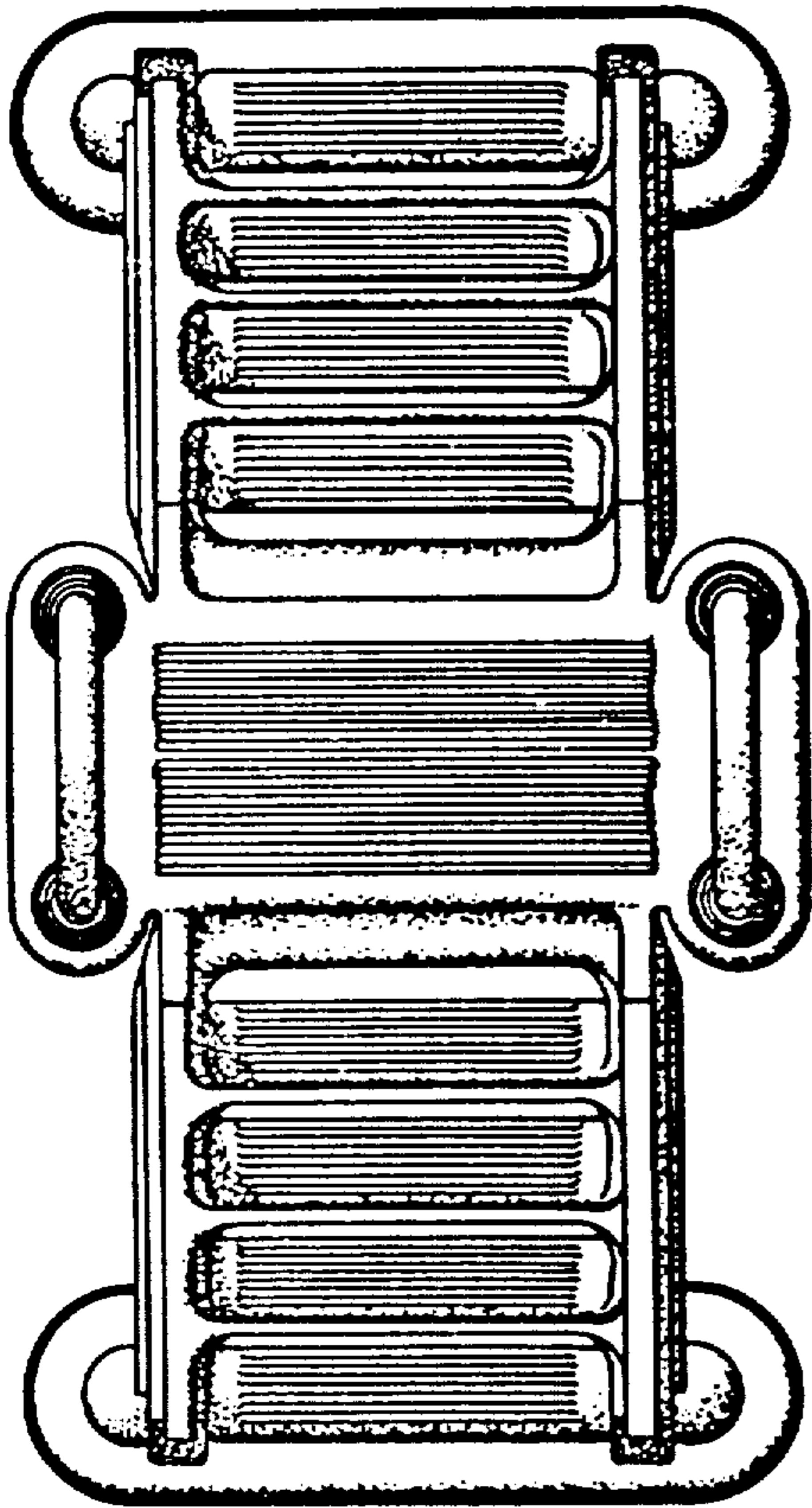
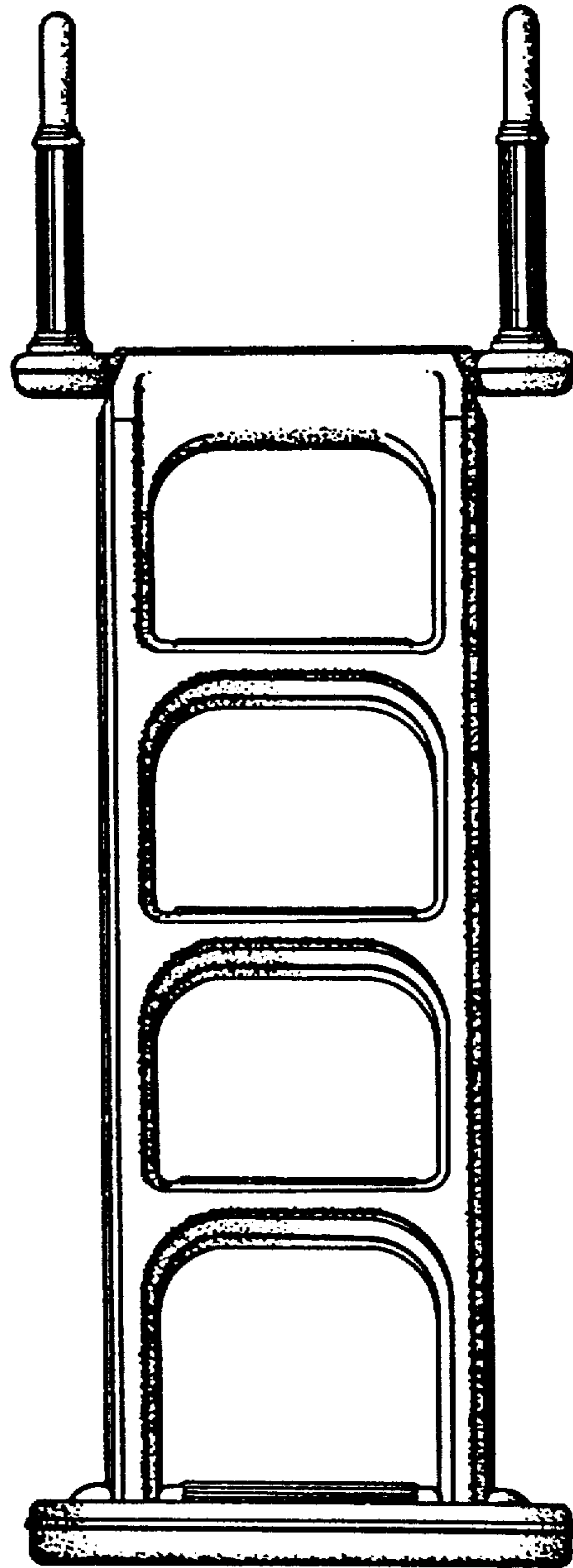


Fig. 2.

Fig. 3.





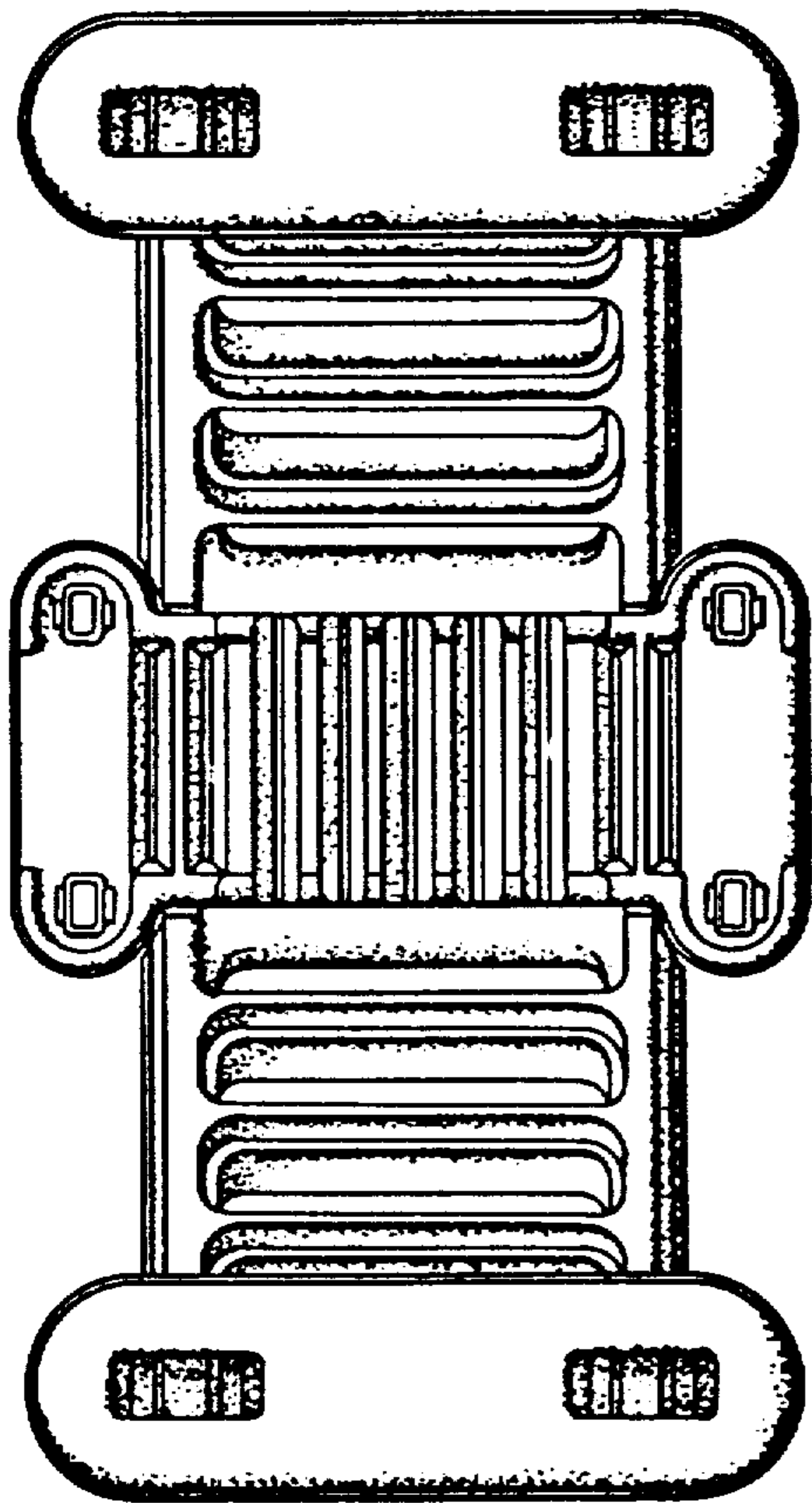


Fig. 5.

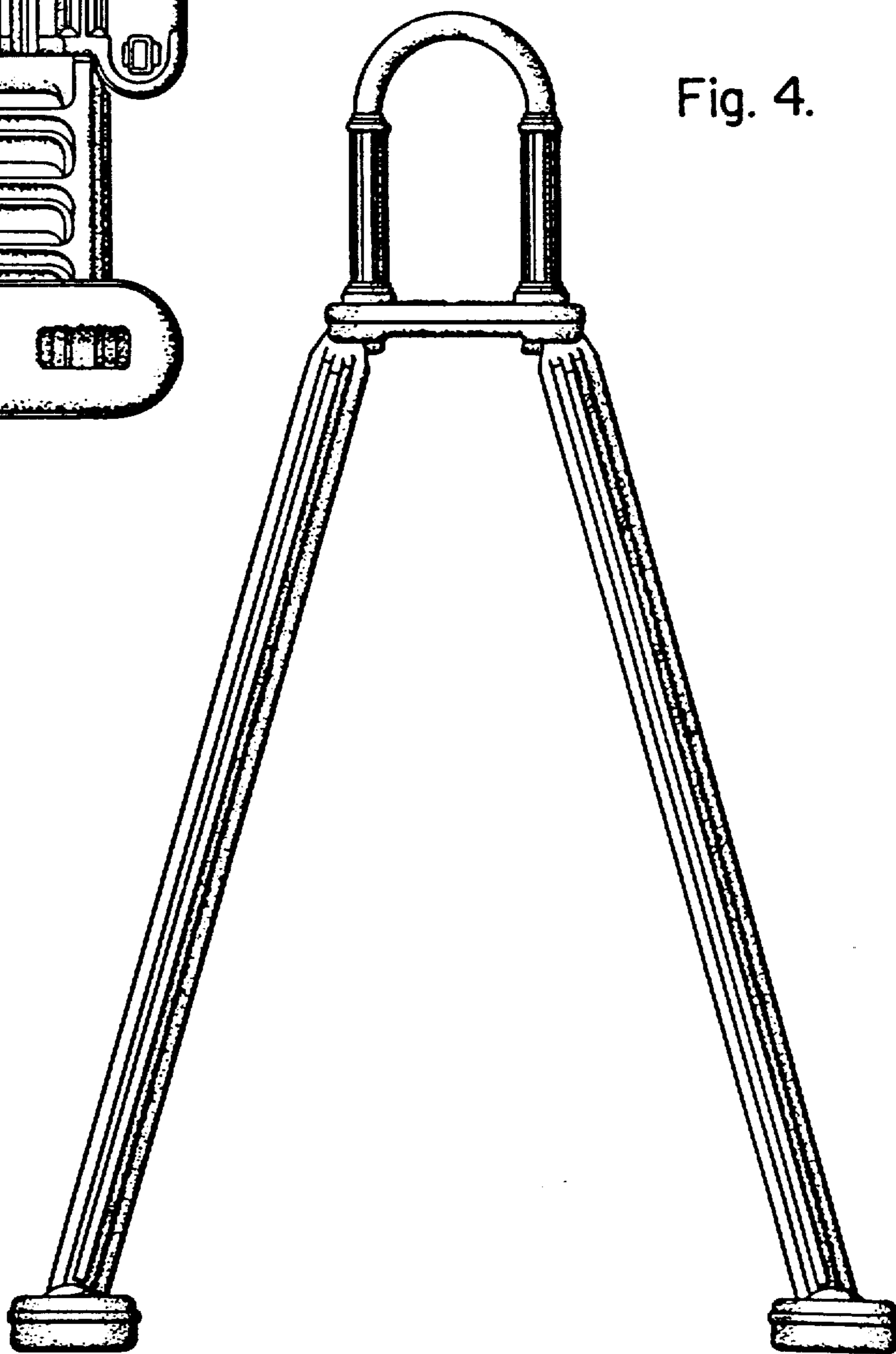


Fig. 4.