

[54] SPRAY UNIT

[75] Inventors: George W. Bills, Golden Valley; Marvin J. Eull, St. Michael, both of Minn.

[73] Assignee: Graco Inc., Minneapolis, Minn.

[**] Term: 14 Years

[21] Appl. No.: 662,365

[22] Filed: Mar. 1, 1976

[51] Int. Cl. D23-01

[52] U.S. Cl. D23/17

[58] Field of Search D23/17, 18, 34-39; 239/332, 333, 526

[56] References Cited

U.S. PATENT DOCUMENTS

2,546,808 3/1951 Woolf et al. D23/17 UX

3,255,967 6/1966 Kenney 239/332 X
3,940,065 2/1976 Ware et al. 239/526 X
D. 186,731 11/1959 Zapolski D23/18
D. 235,544 6/1975 Bippus et al. D23/18

Primary Examiner—James R. Largen
Attorney, Agent, or Firm—Paul L. Sjoquist

[57] CLAIM

The ornamental design for a spray unit, substantially as shown.

DESCRIPTION

FIG. 1 is a front elevational view of a spray unit showing our new design; FIG. 2 is a left side elevational view thereof; FIG. 3 is a top plan view thereof; FIG. 4 is a bottom plan view thereof; FIG. 5 is a rear elevational view thereof; and FIG. 6 is a right side elevational view thereof.

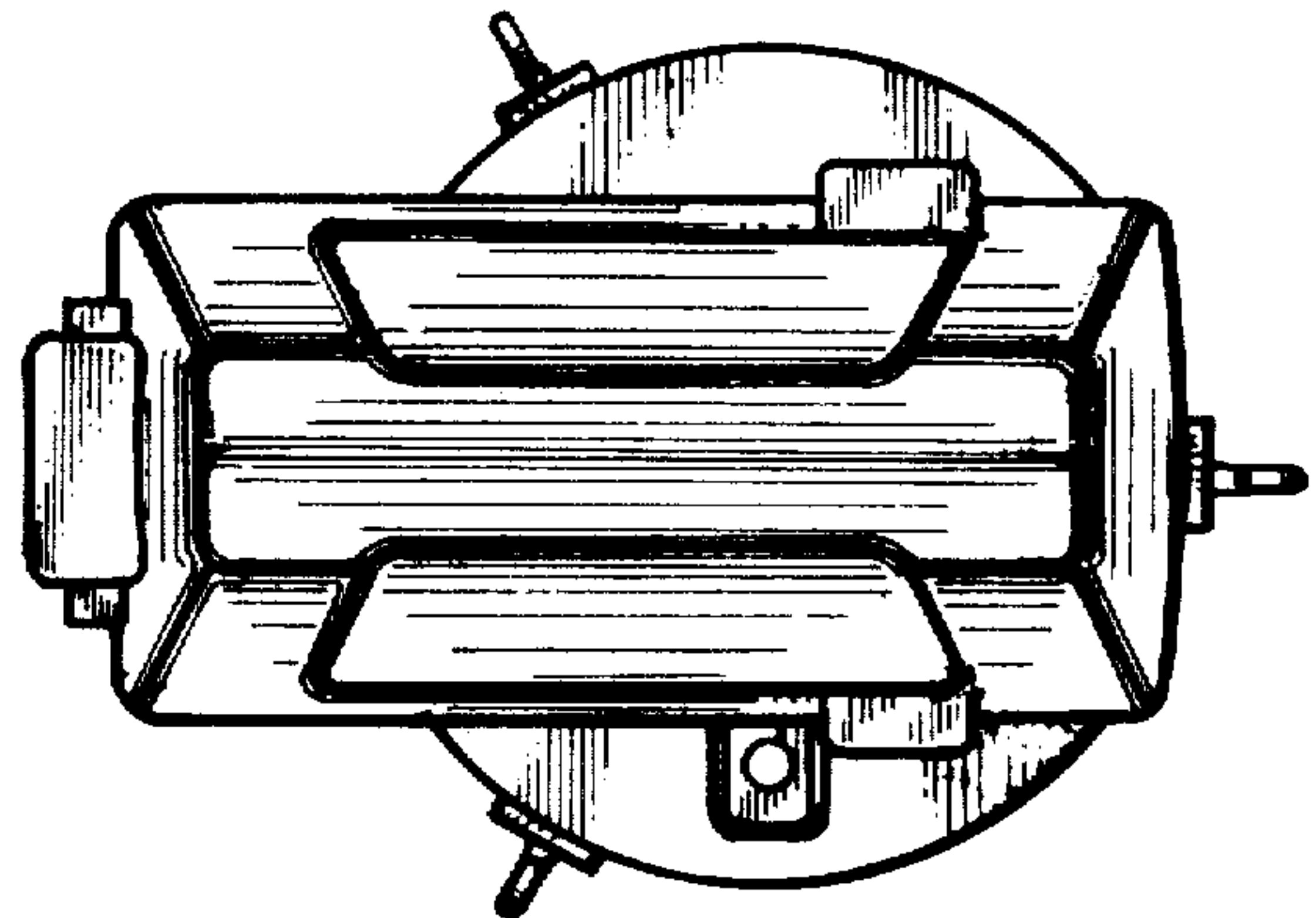
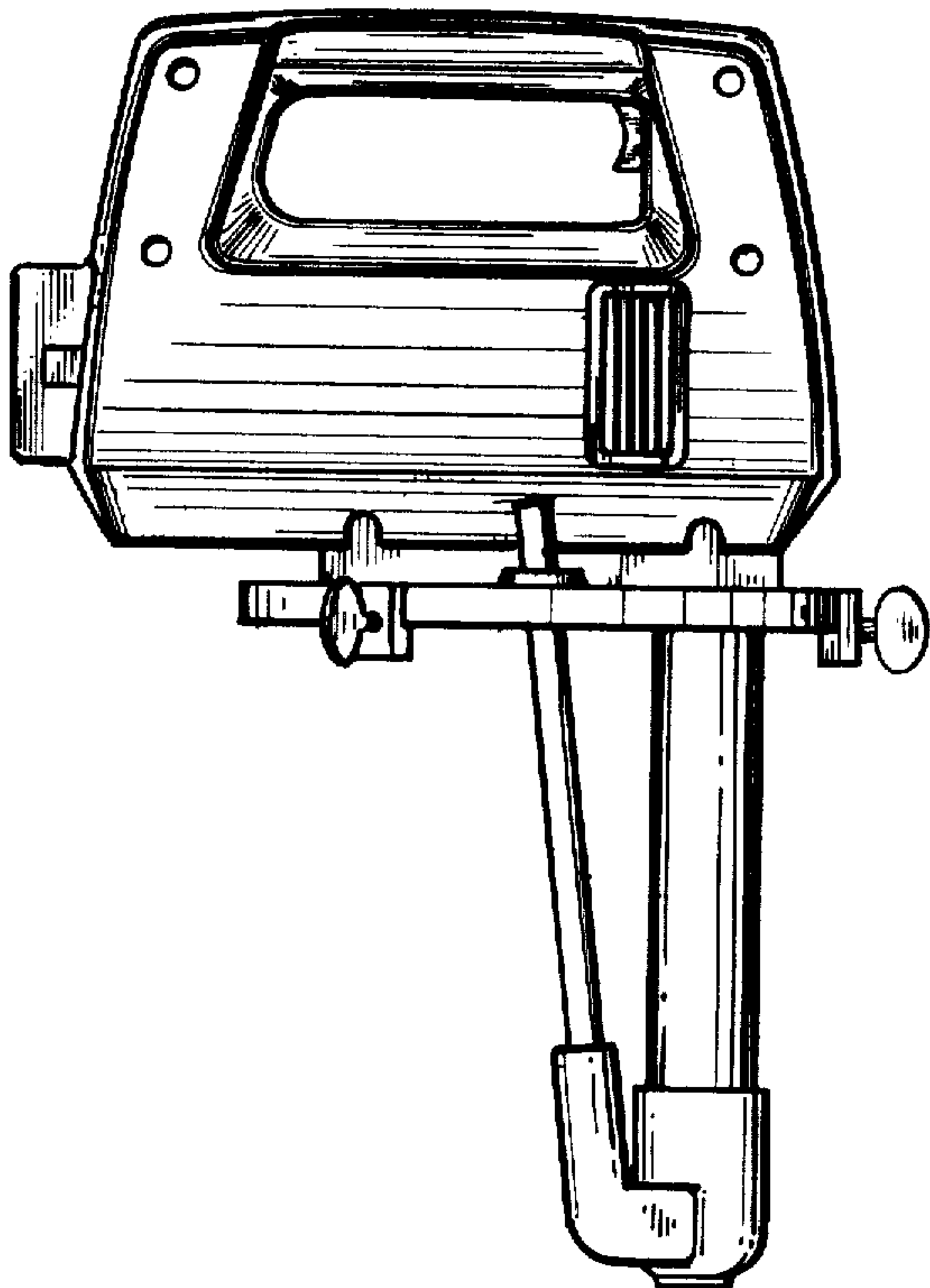


FIG. 3

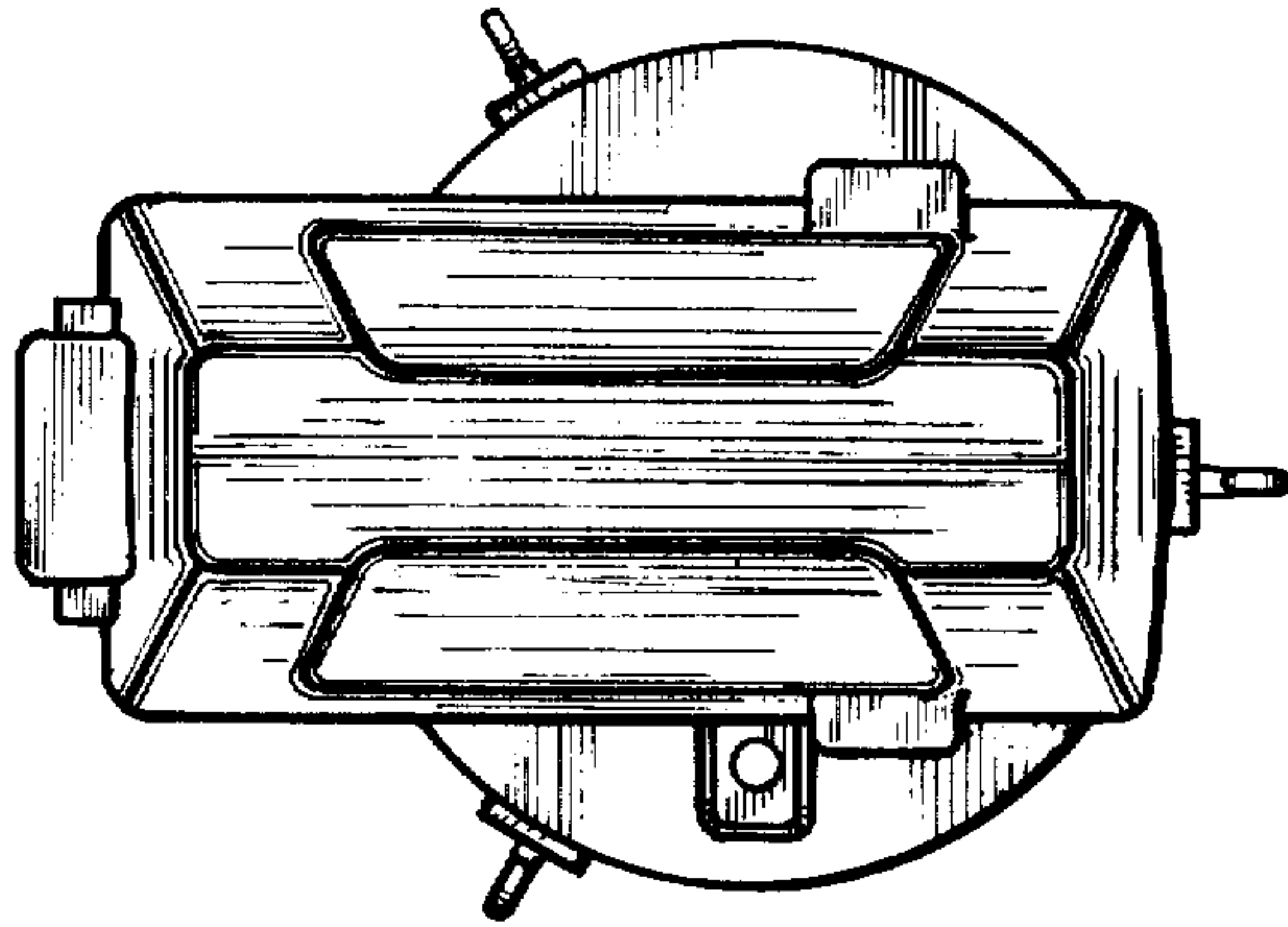


FIG. 2

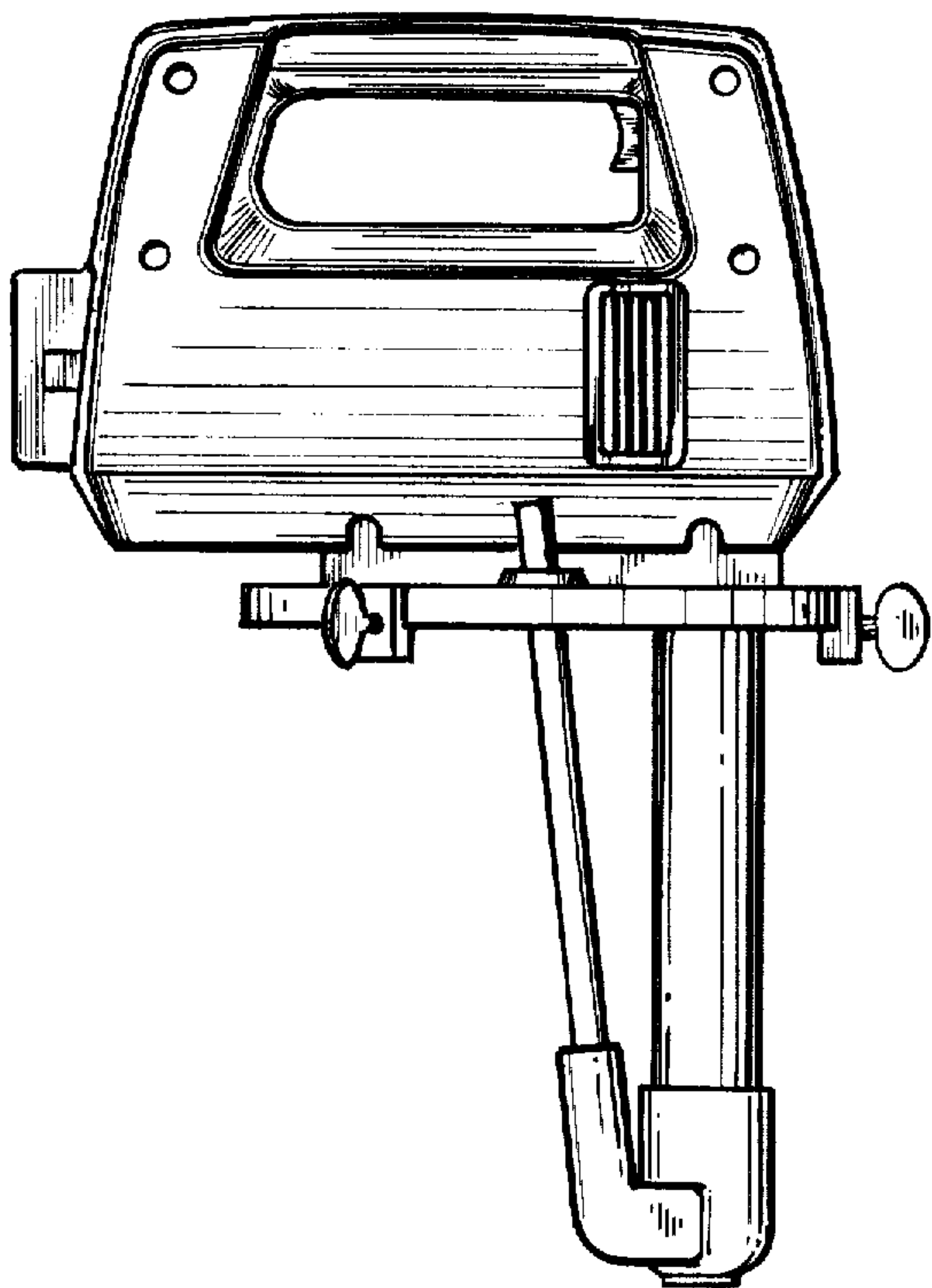


FIG. 1

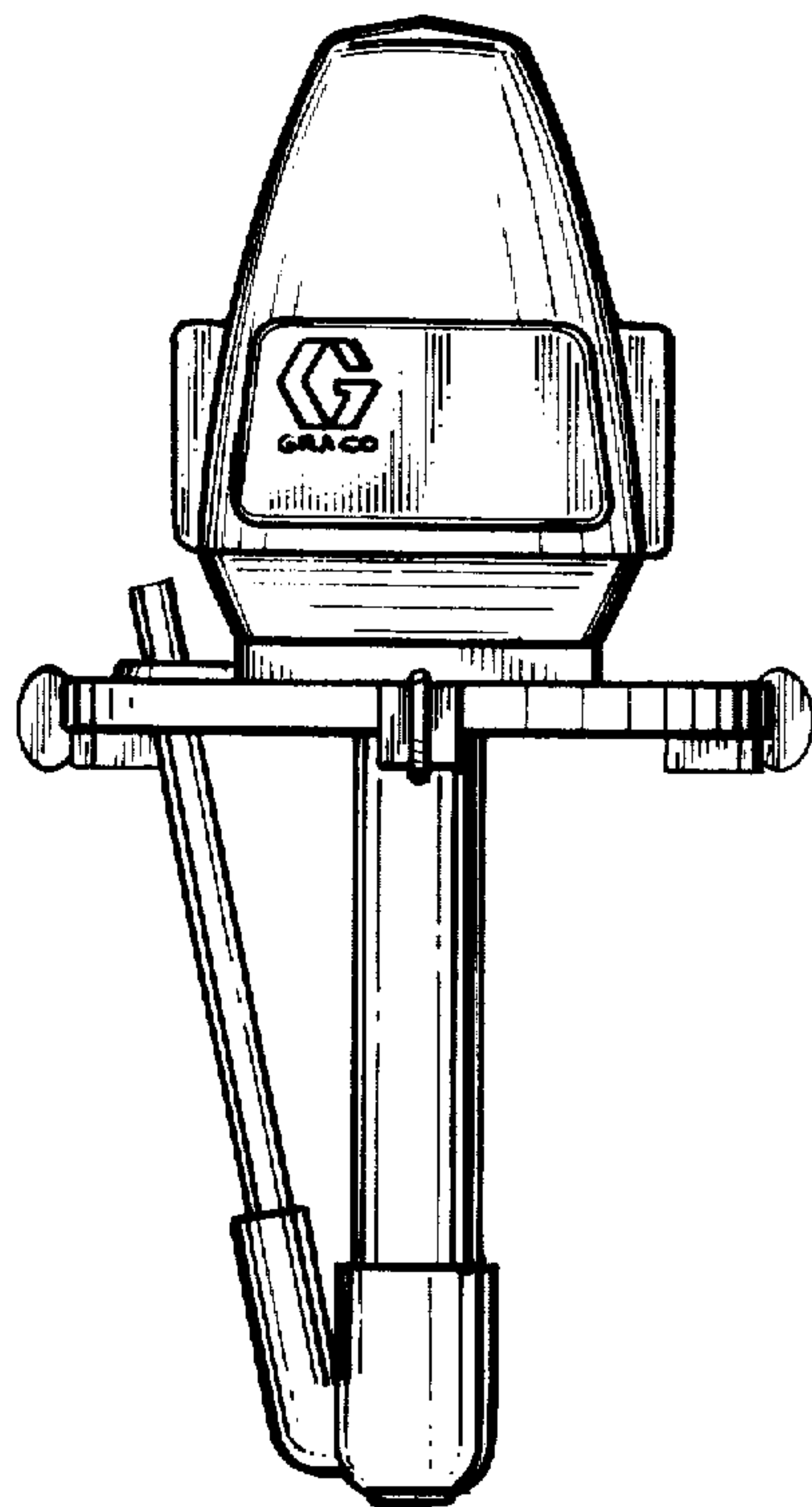


FIG. 4

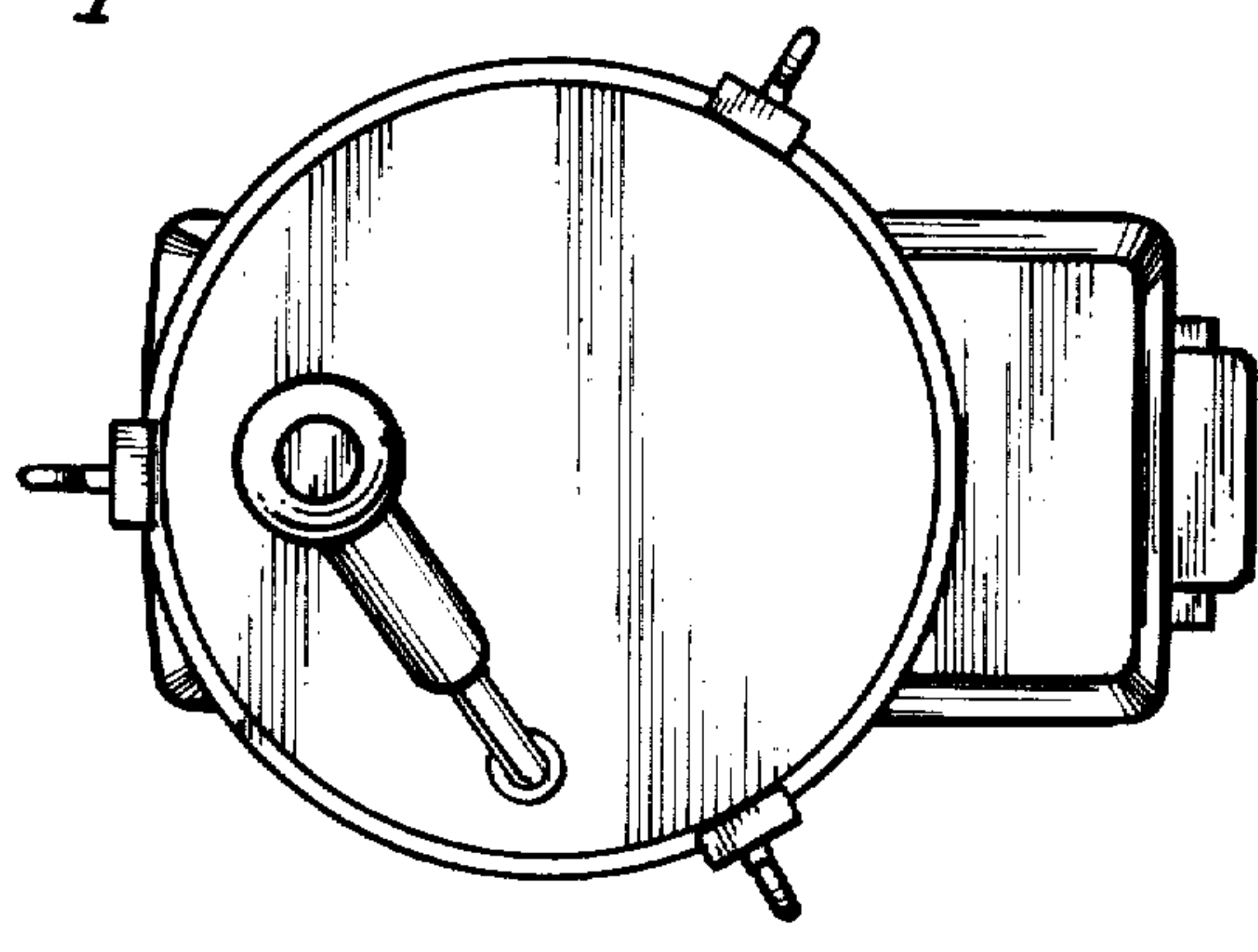


FIG. 5

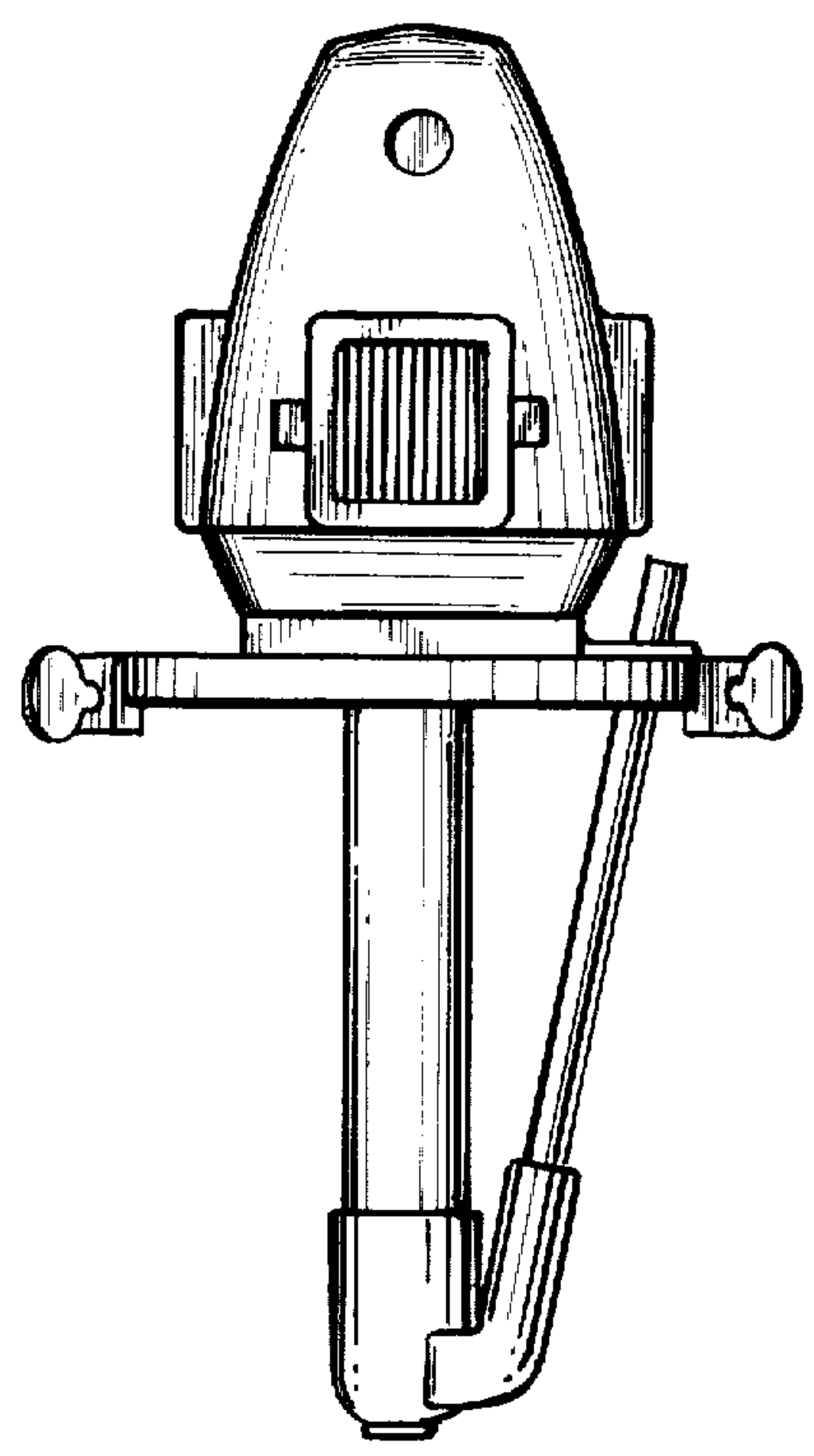


FIG. 6

