

[54] FOUNTAIN PEN

[75] Inventor: Frederick R. Wittnebert,  
Whitewater, Wis.

[73] Assignee: The Parker Pen Company,  
Janesville, Wis.

[\*\*] Term: 14 Years

[21] Appl. No.: 480,212

[22] Filed: June 17, 1974

[51] Int. Cl. .... D19-06

[52] U.S. Cl. .... D19/47

[58] Field of Search ..... D19/35-36,  
D19/41-51, 55

[56] References Cited

U.S. PATENT DOCUMENTS

D. 23,502	7/1894	McIntyre .....	D19/49
D. 183,112	6/1958	Winter .....	D19/55
D. 191,998	12/1961	Doman .....	D19/49
D. 205,872	9/1966	Parker .....	D19/48

D. 215,768 10/1969 Horie ..... D19/48

Primary Examiner—Bruce W. Dunkins  
Assistant Examiner—George P. Word  
Attorney, Agent, or Firm—John E. Fabke

[57] CLAIM

The ornamental design for a fountain pen, as shown and described.

DESCRIPTION

FIG. 1 is a front elevational view of a fountain pen showing my new design;  
FIG. 2 is a rear elevational view;  
FIG. 3 is an enlarged scale elevational view of the nib end;  
FIG. 4 is an enlarged scale elevational view of the opposite end;  
FIG. 5 is an enlarged scale fragmentary top plan view of the nib end;  
FIG. 6 is a front elevational view thereof; and  
FIG. 7 is a bottom plan view thereof.



FIG. 2

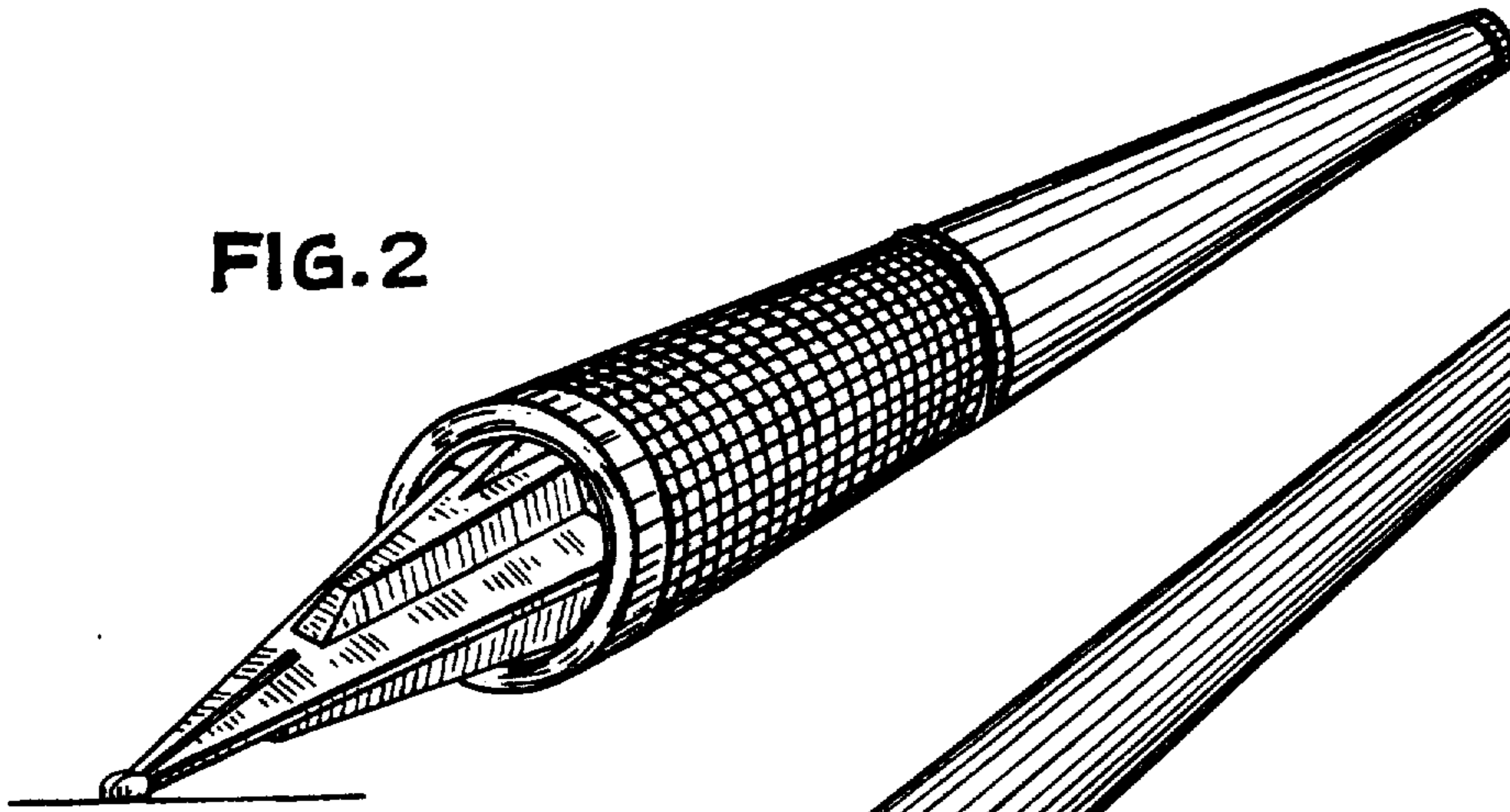


FIG. 1

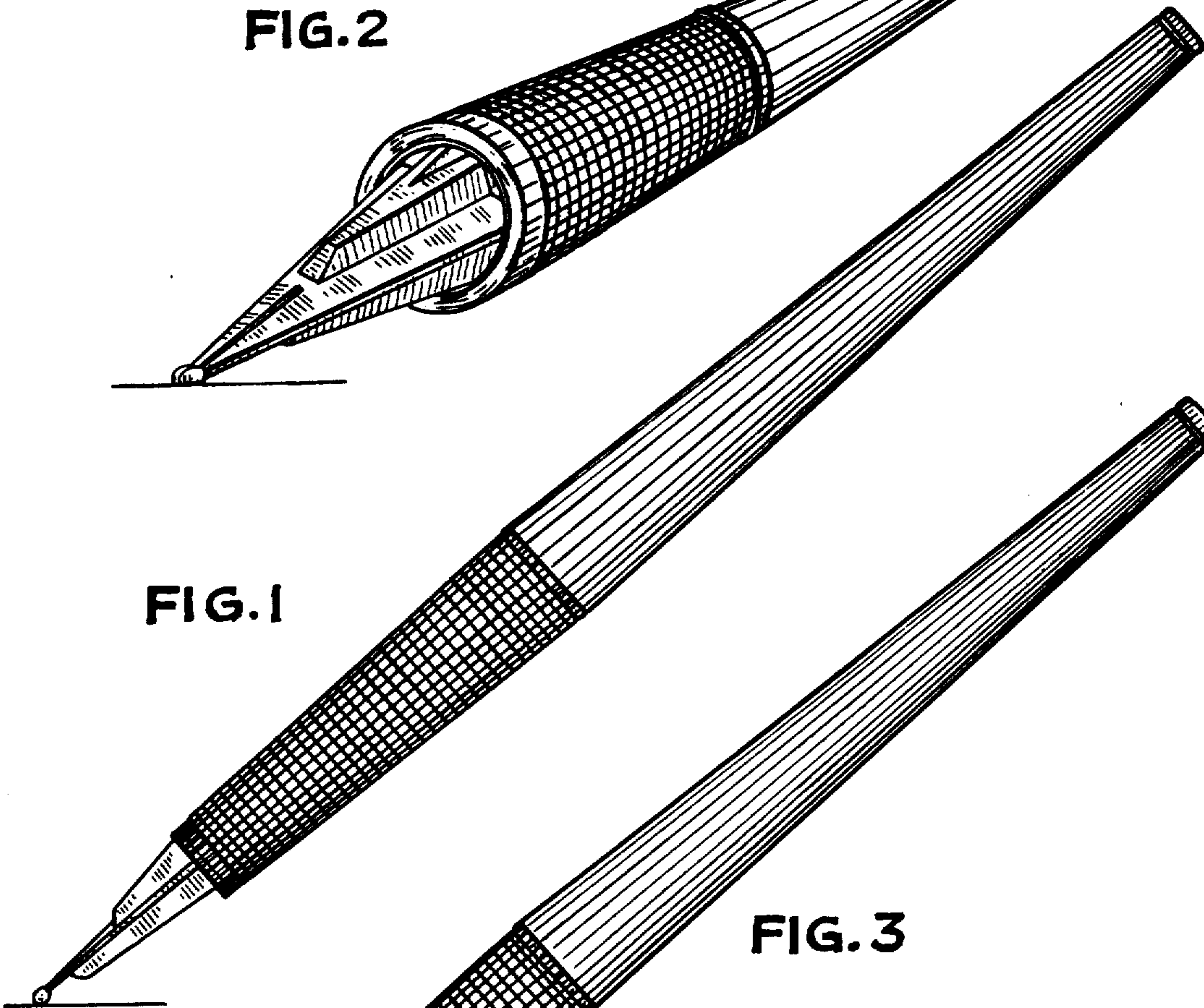


FIG. 3

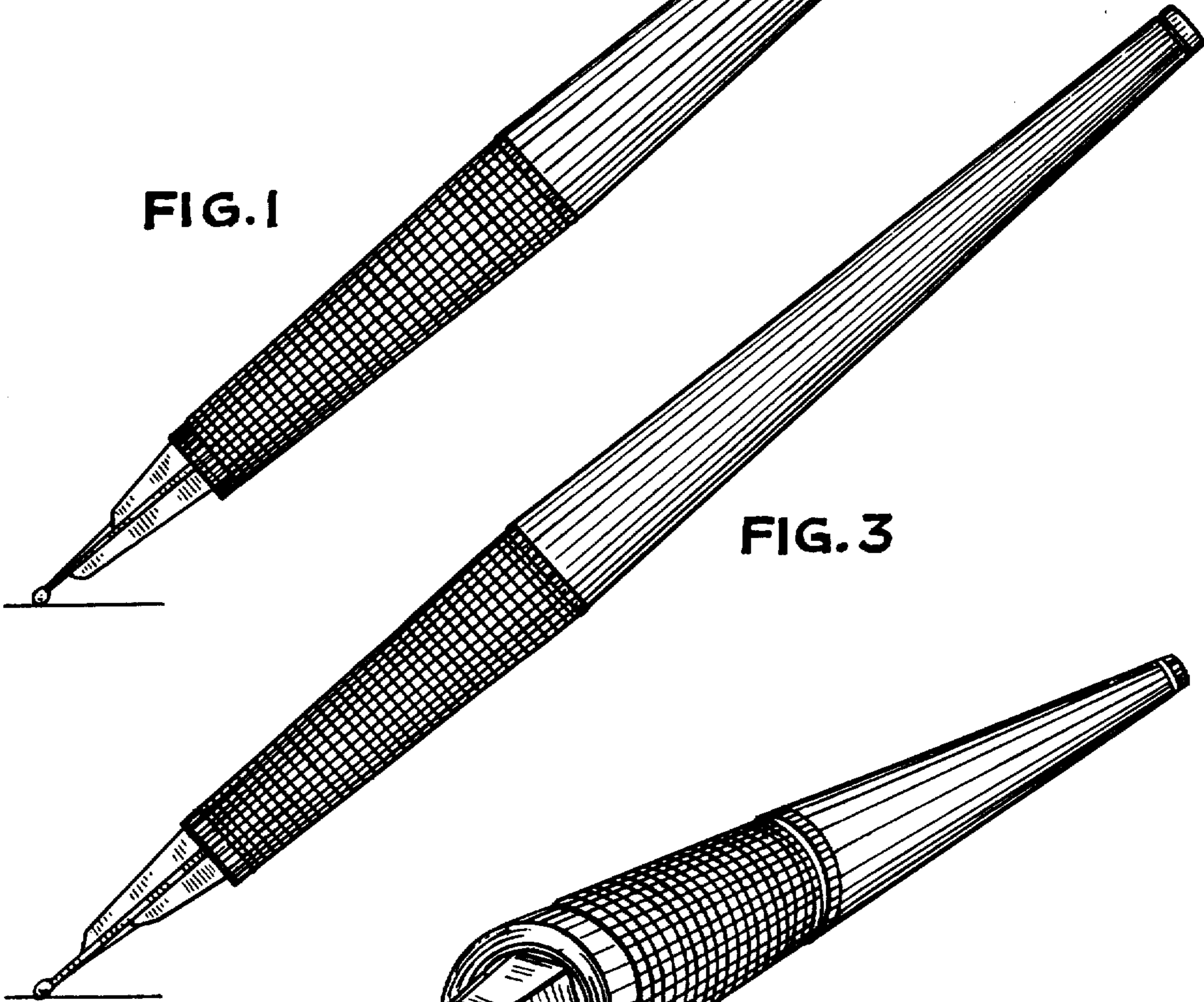
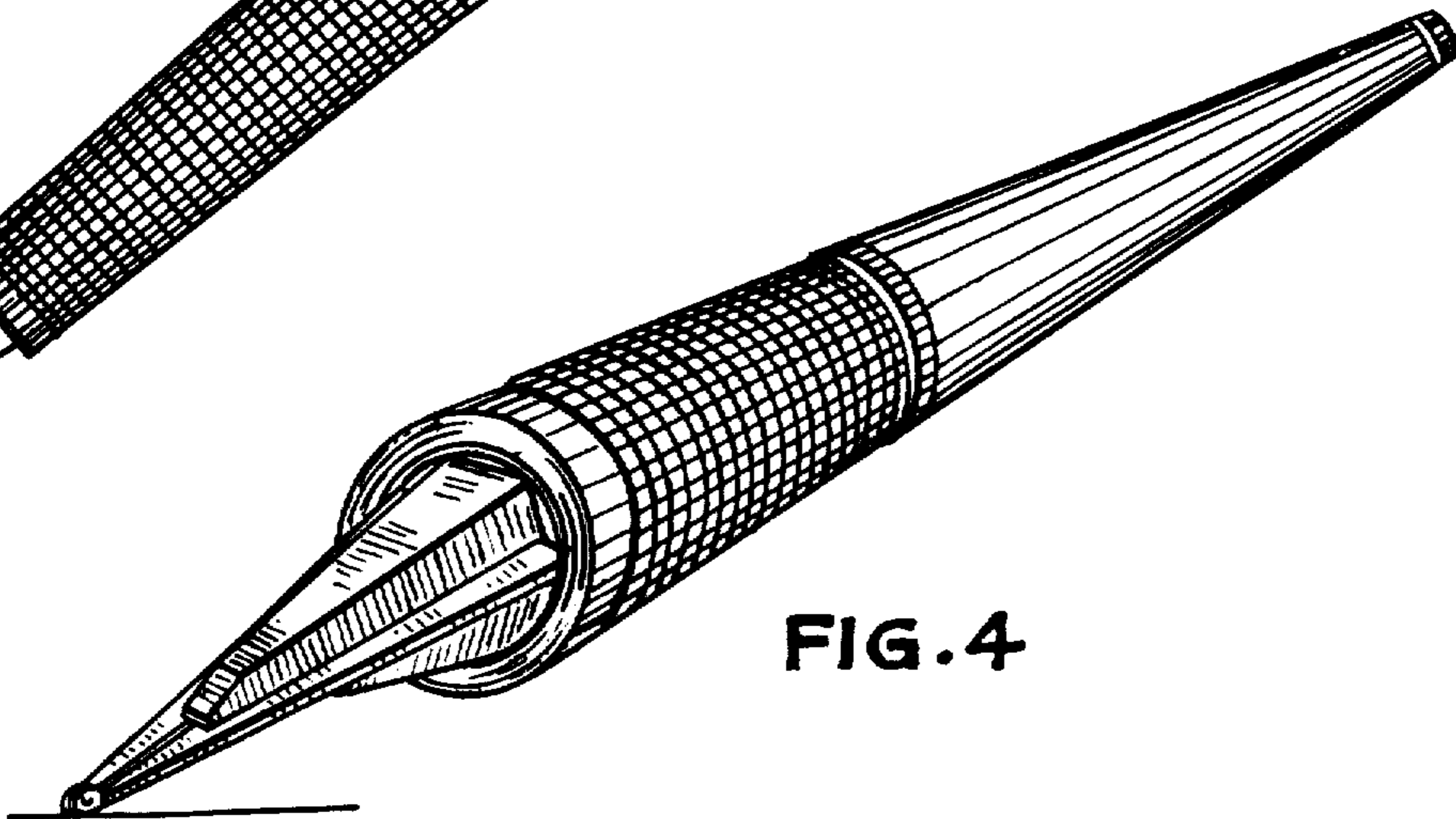
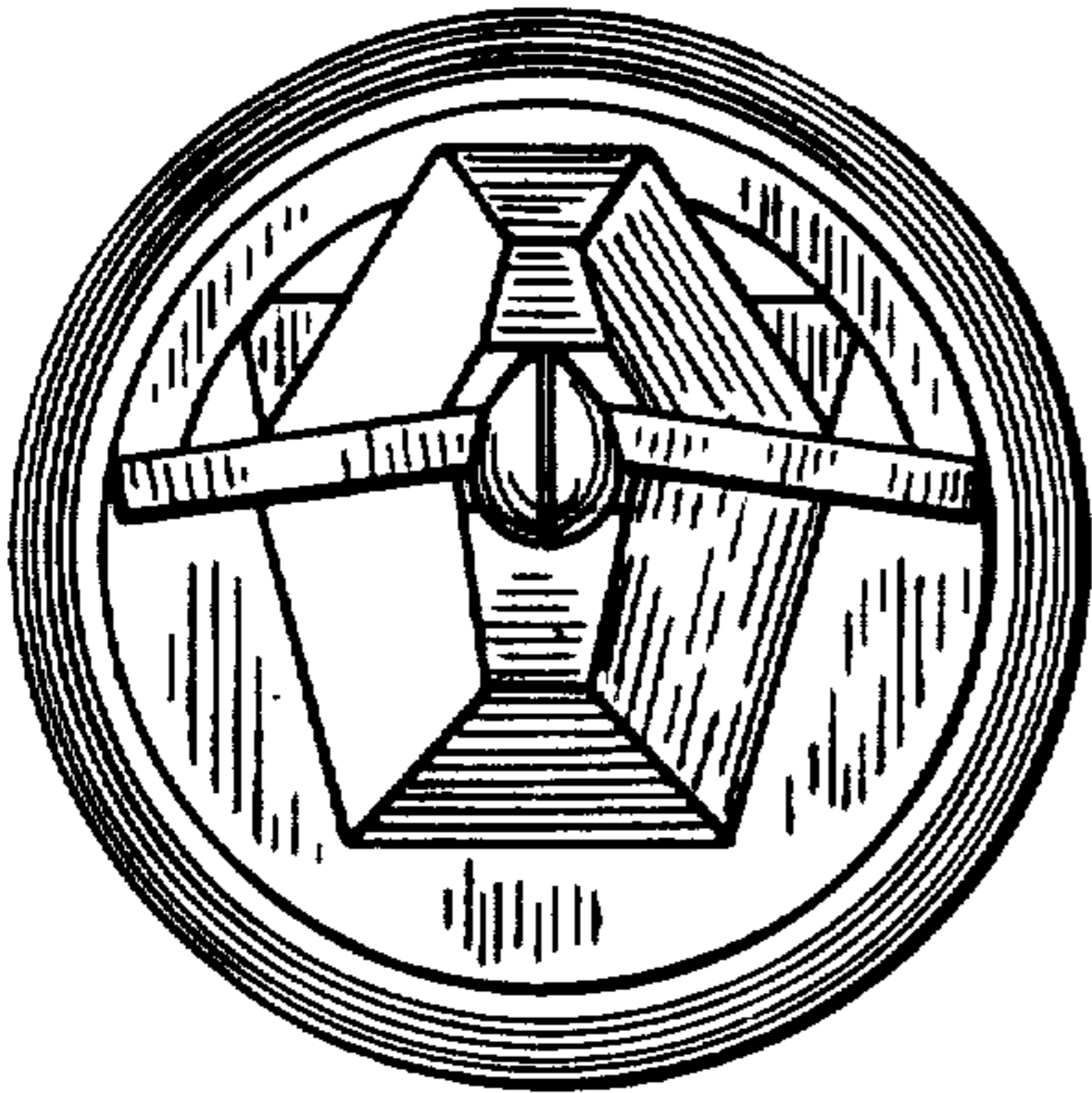


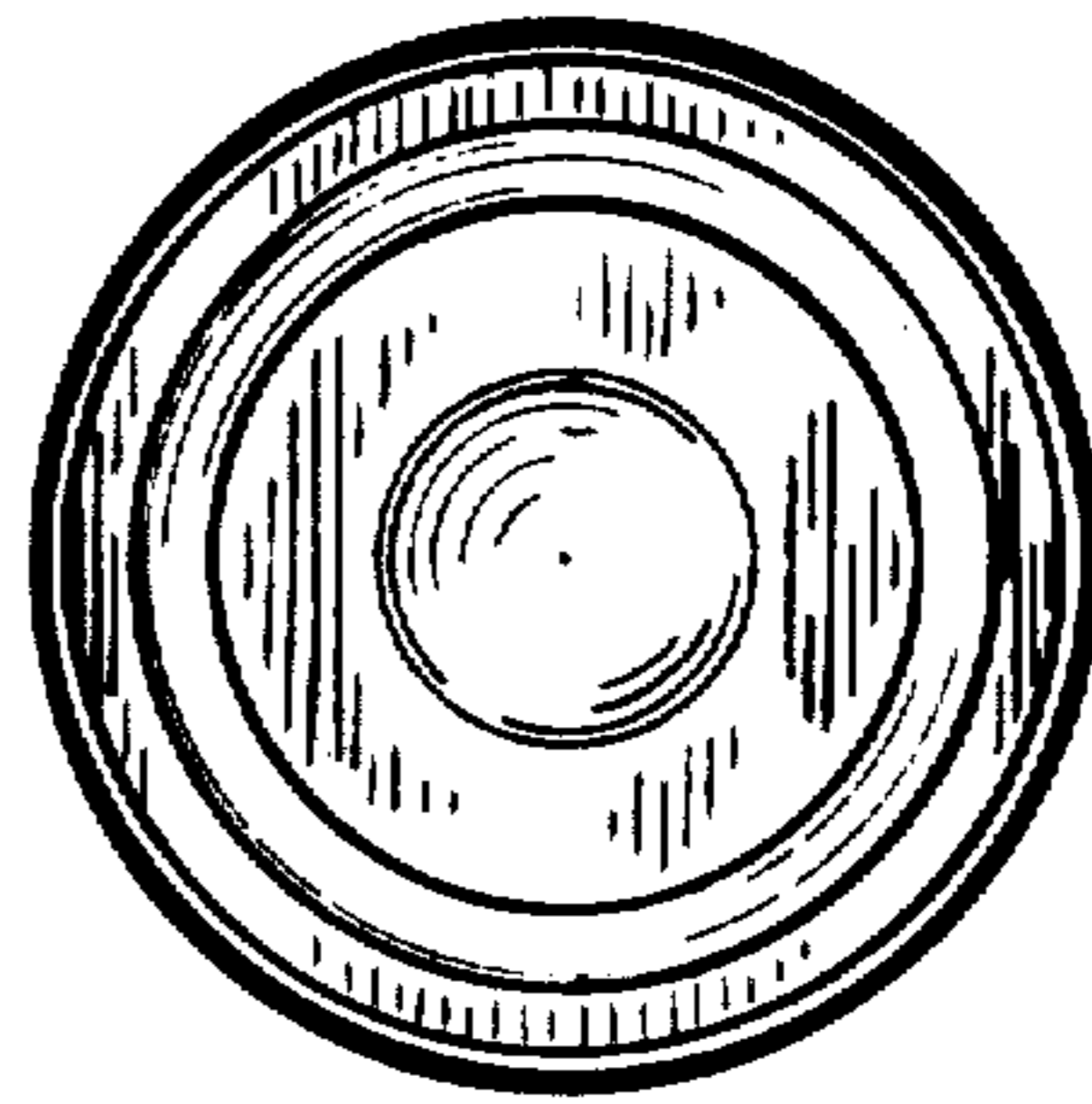
FIG. 4



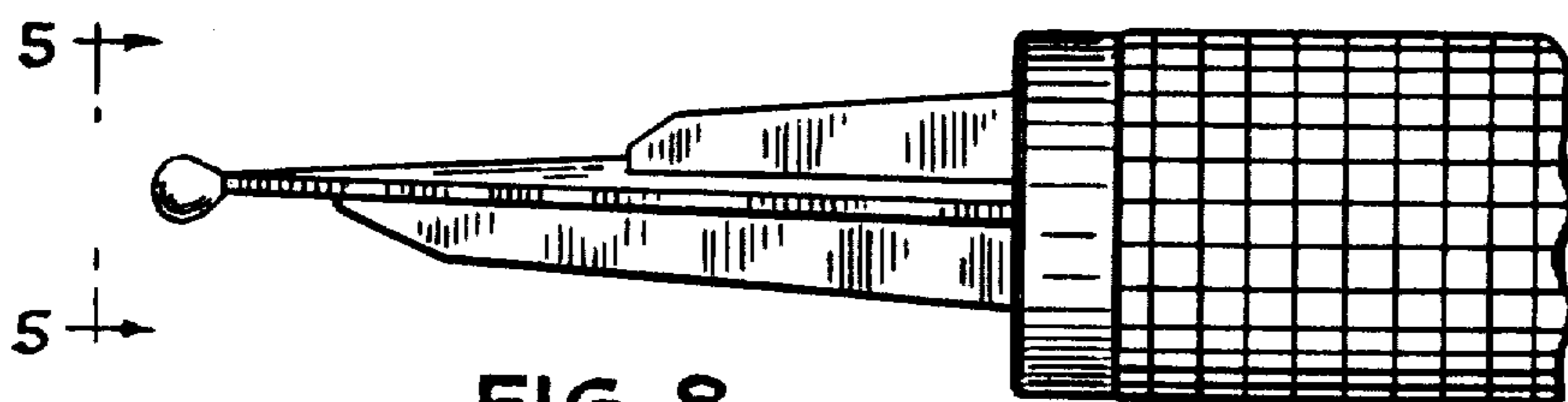
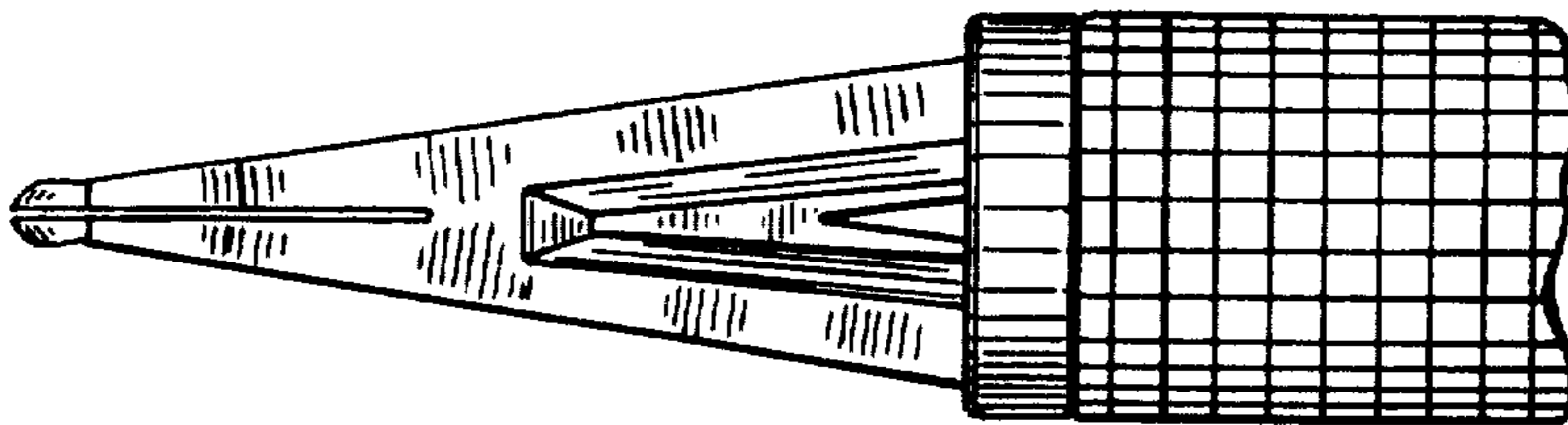
**FIG. 5**



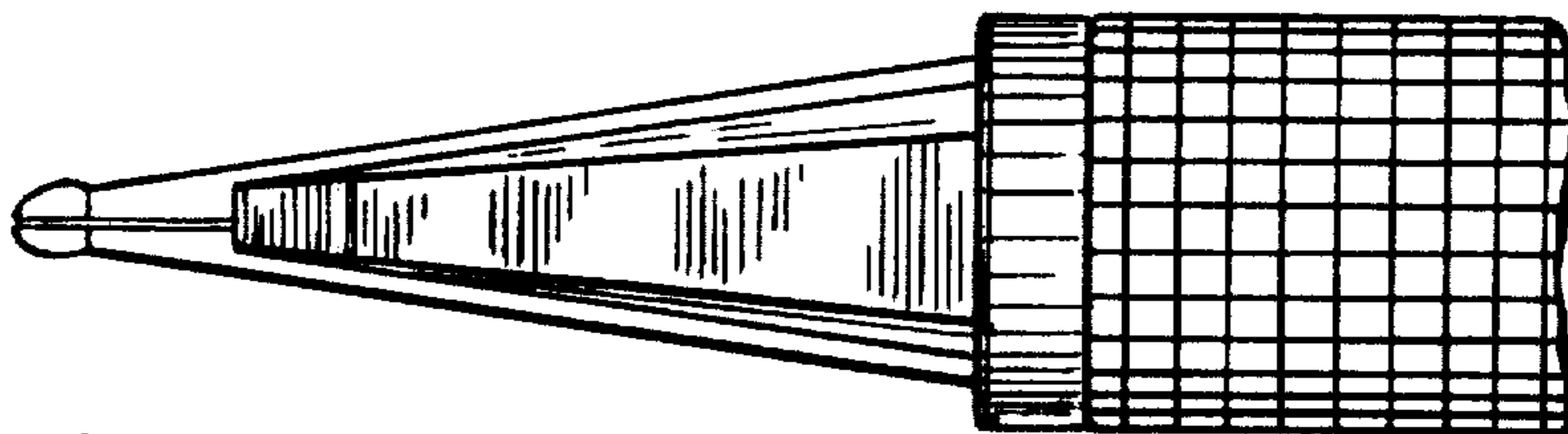
**FIG. 6**



**FIG. 7**



**FIG. 8**



**FIG. 9**

UNITED STATES PATENT OFFICE  
CERTIFICATE OF CORRECTION

Patent No. D 243,014 Dated January 11, 1977

Inventor(s) Frederick R. Wittnebert Page 1 of 3

It is certified that error appears in the above-identified patent and that said Letters Patent are hereby corrected as shown below:

The drawings should read as shown on the attached sheets.

Signed and Sealed this

Twenty-fourth Day of May 1977

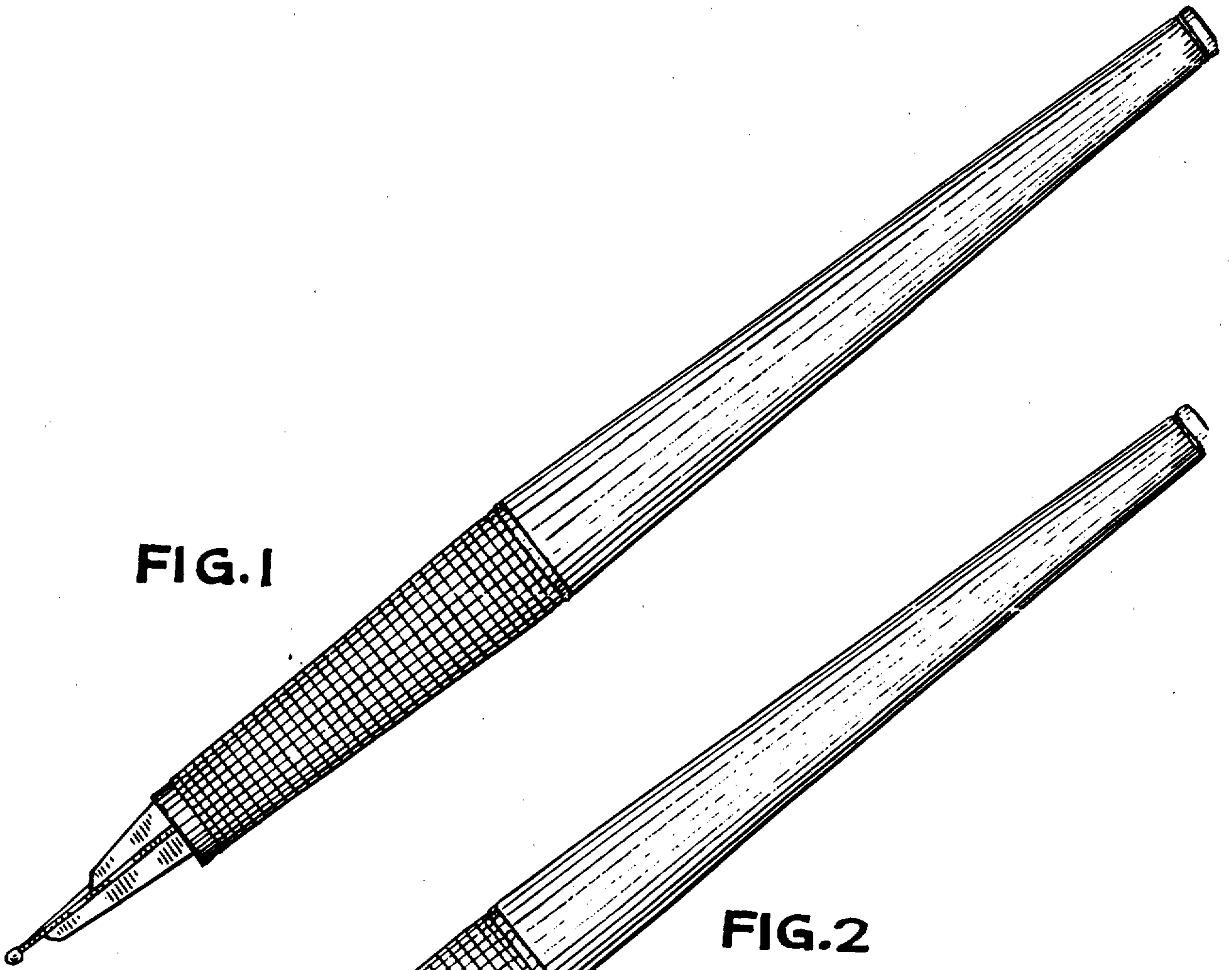
[SEAL]

*Attest:*

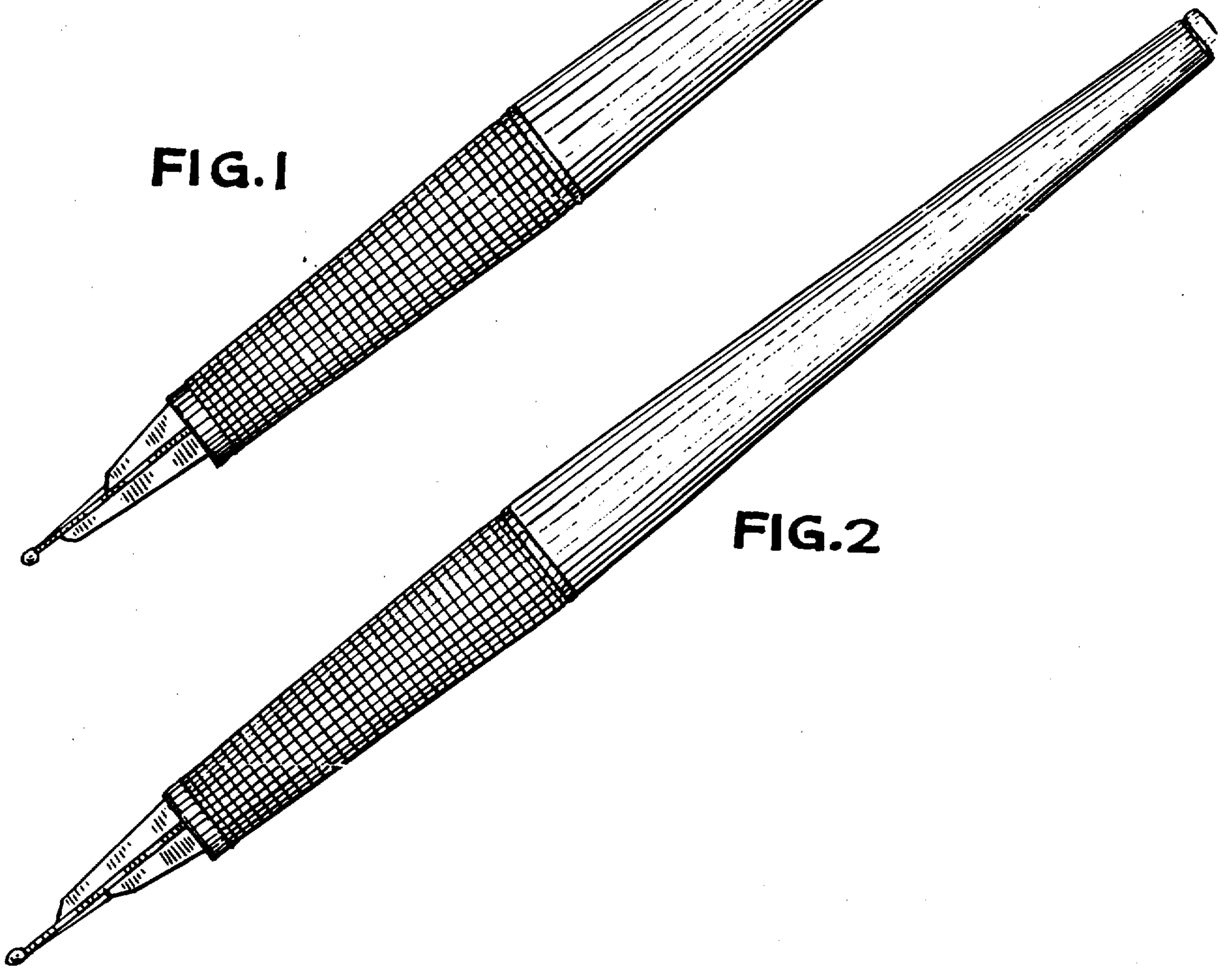
**RUTH C. MASON**  
*Attesting Officer*

**C. MARSHALL DANN**  
*Commissioner of Patents and Trademarks*

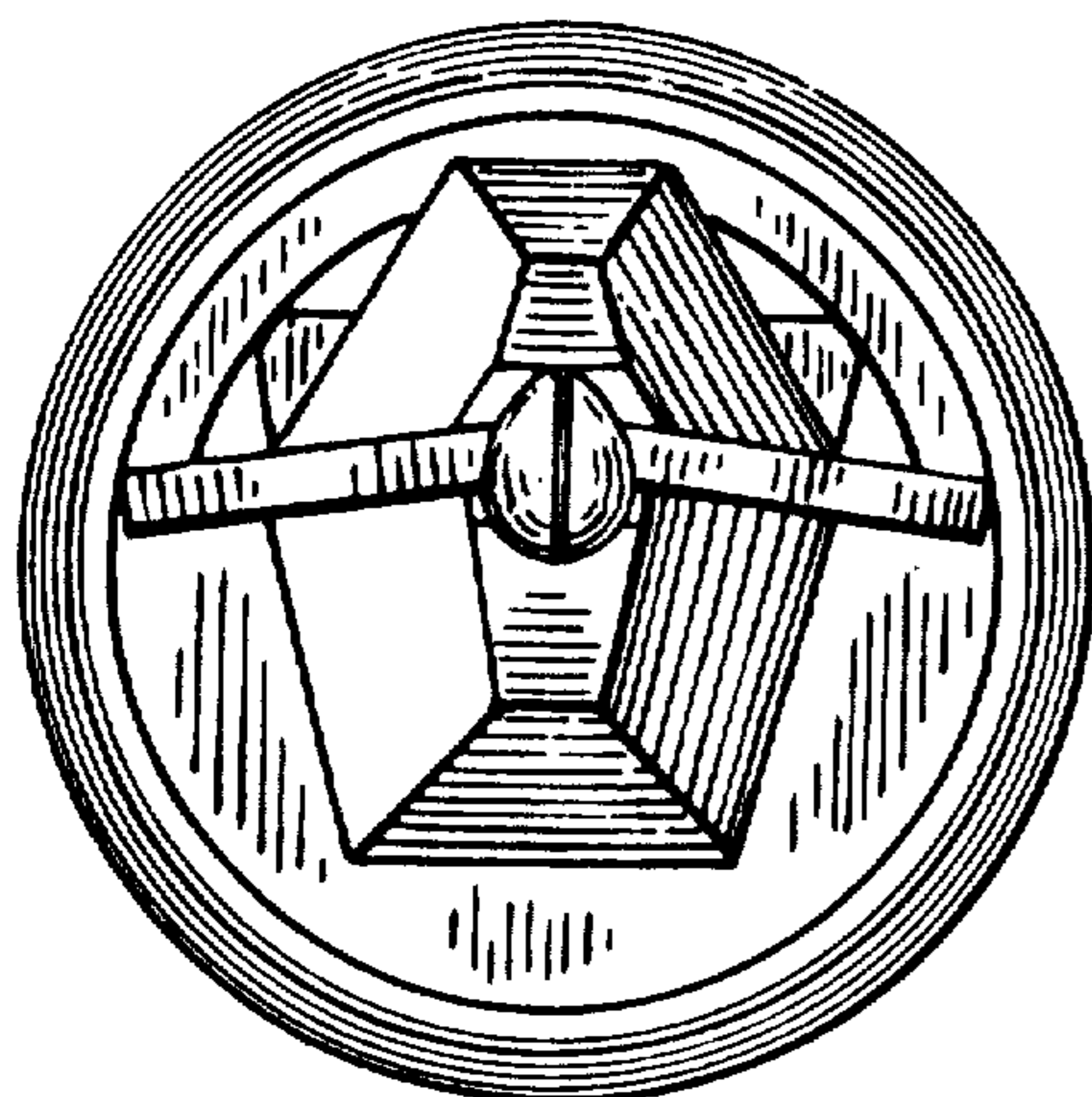
**FIG.1**



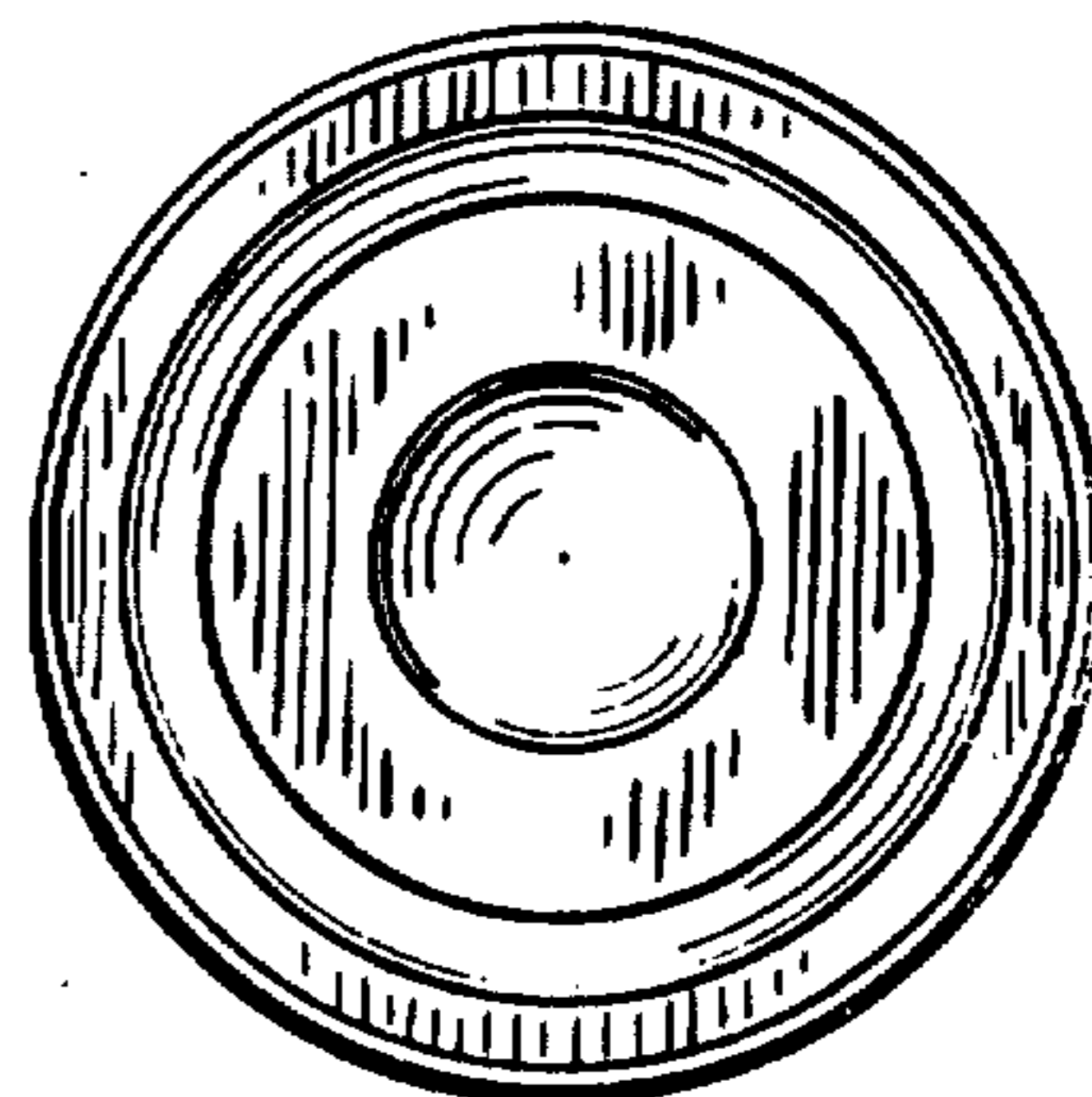
**FIG.2**



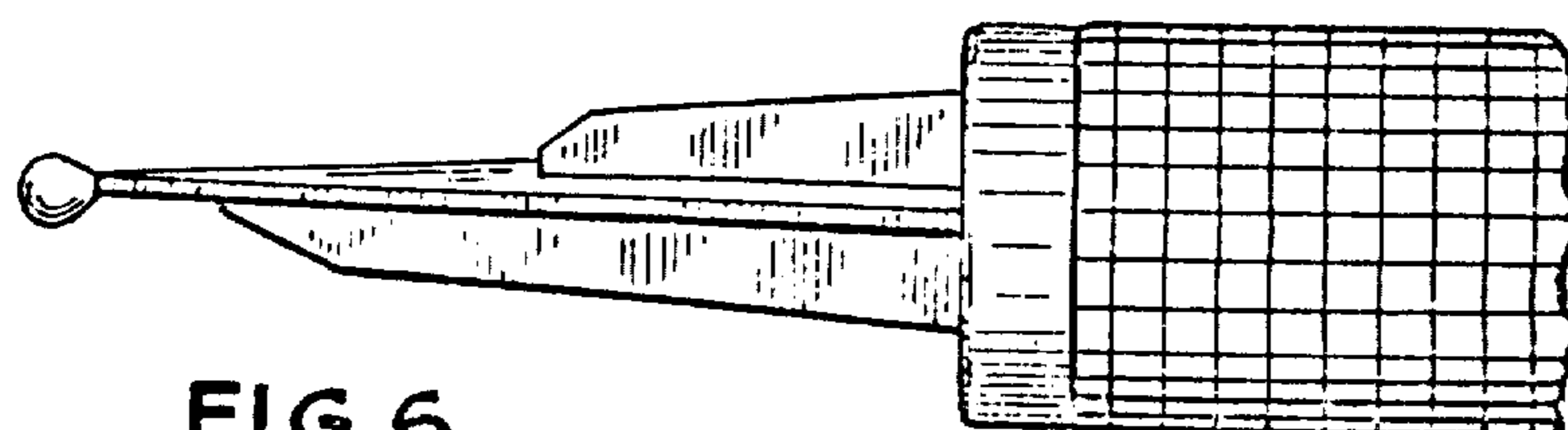
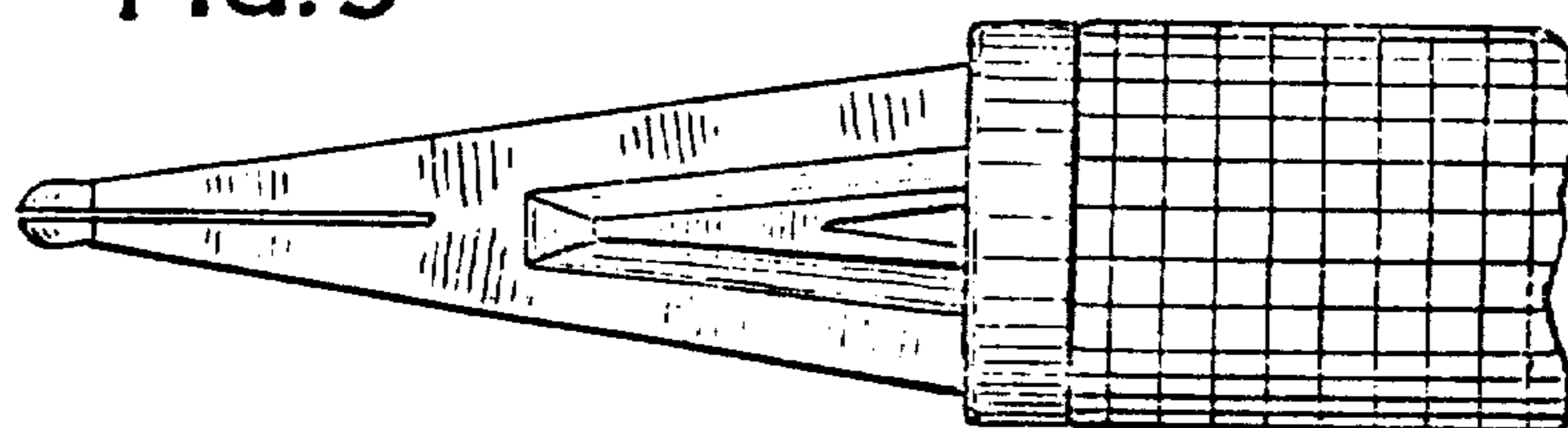
**FIG. 3**



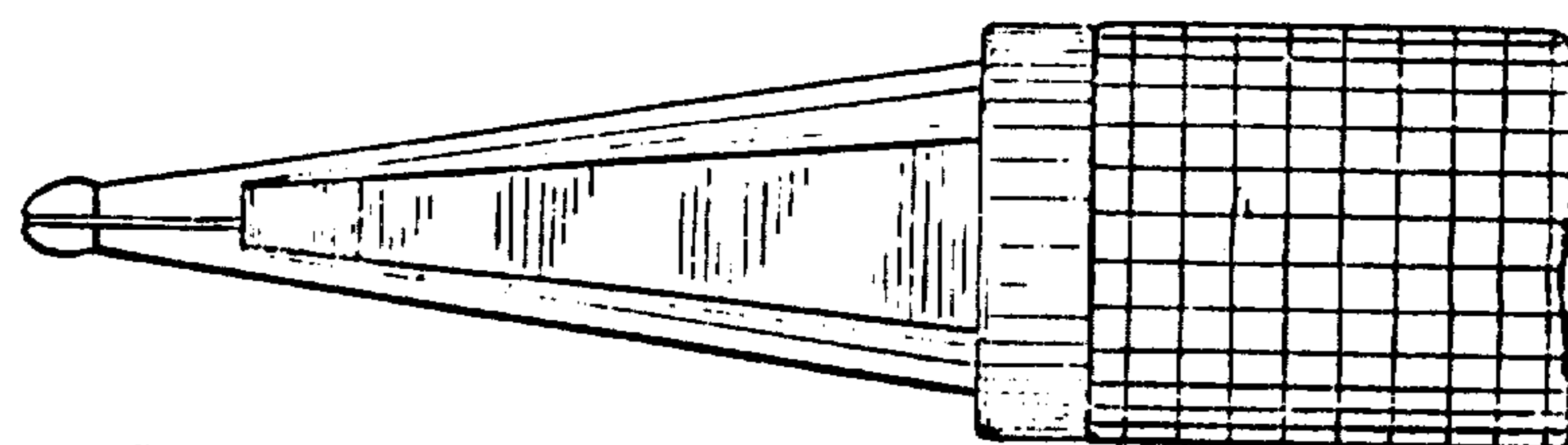
**FIG. 4**



**FIG. 5**



**FIG. 6**



**FIG. 7**