

[54] SUN SHADE FOR AN AUTOMOBILE DRIVER

[76] Inventor: Donald W. Heckathorn, 31556 Agoura Rd. Apt. No. 1, West Lake Village, Calif. 91361

[**] Term: 14 Years

[21] Appl. No.: 596,802

[22] Filed: July 17, 1975

[51] Int. Cl. D12-16

[52] U.S. Cl. D12/191

[58] Field of Search D12/191; 296/95, 96, 296/97 R, 97 A, 97 B, 97 C, 97 D, 97 G, 97 H, 97 K

[56] References Cited

U.S. PATENT DOCUMENTS

1,628,704	5/1927	Zartman	296/97 G
2,212,007	8/1940	Buchanan	296/97 C
3,184,265	5/1965	Calabrese	296/97 C

Primary Examiner—Wallace R. Burke

Assistant Examiner—James M. Gandy

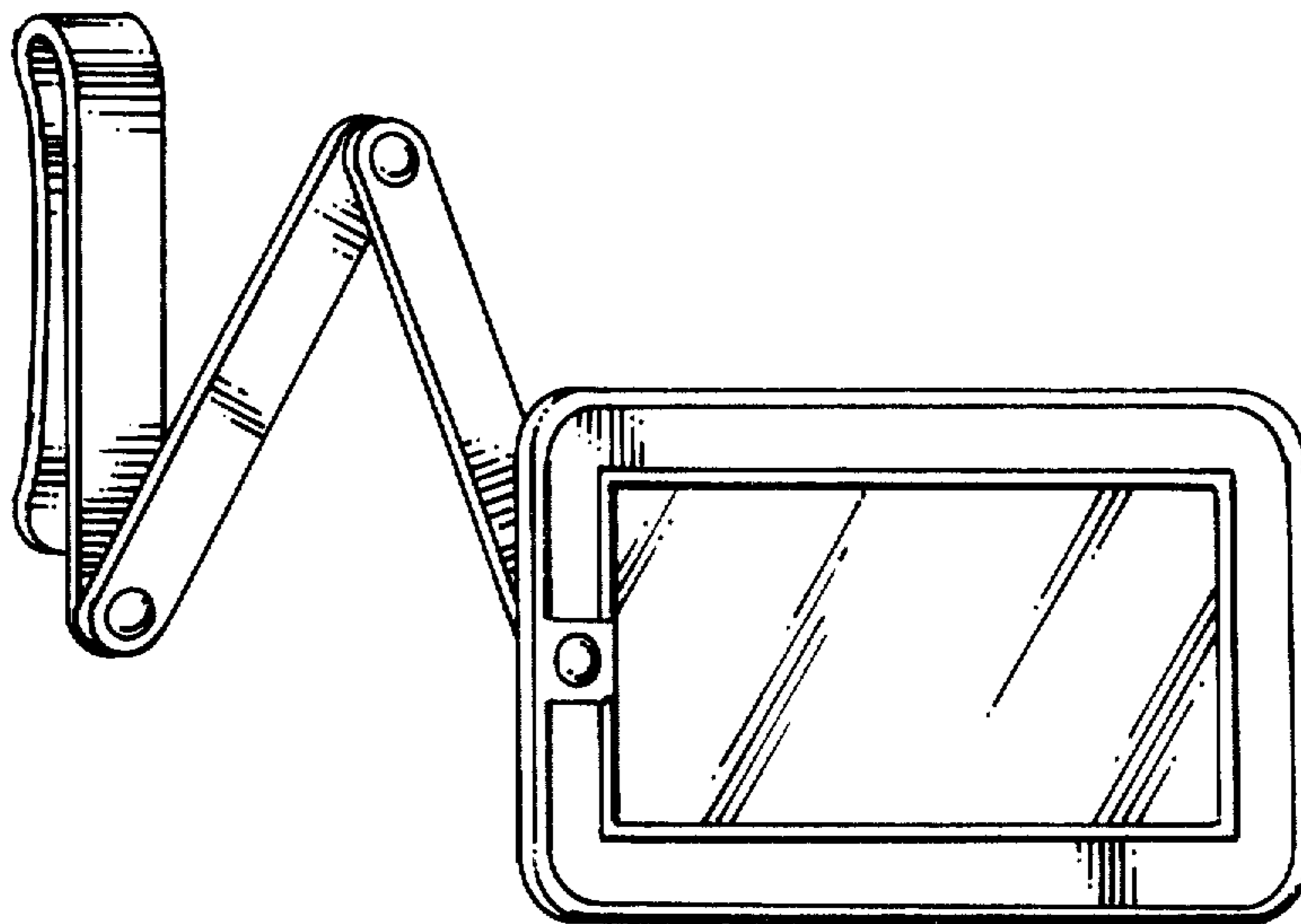
Attorney, Agent, or Firm—Samuel Lindenberg

[57] CLAIM

The ornamental design for a sun shade for an automobile driver, as shown.

DESCRIPTION

FIG. 1 is a front perspective view of a sun shade for an automobile driver showing my new design; FIG. 2 is a rear elevational view thereof; FIG. 3 is an end elevational view thereof; FIG. 4 is a top plan view thereof.



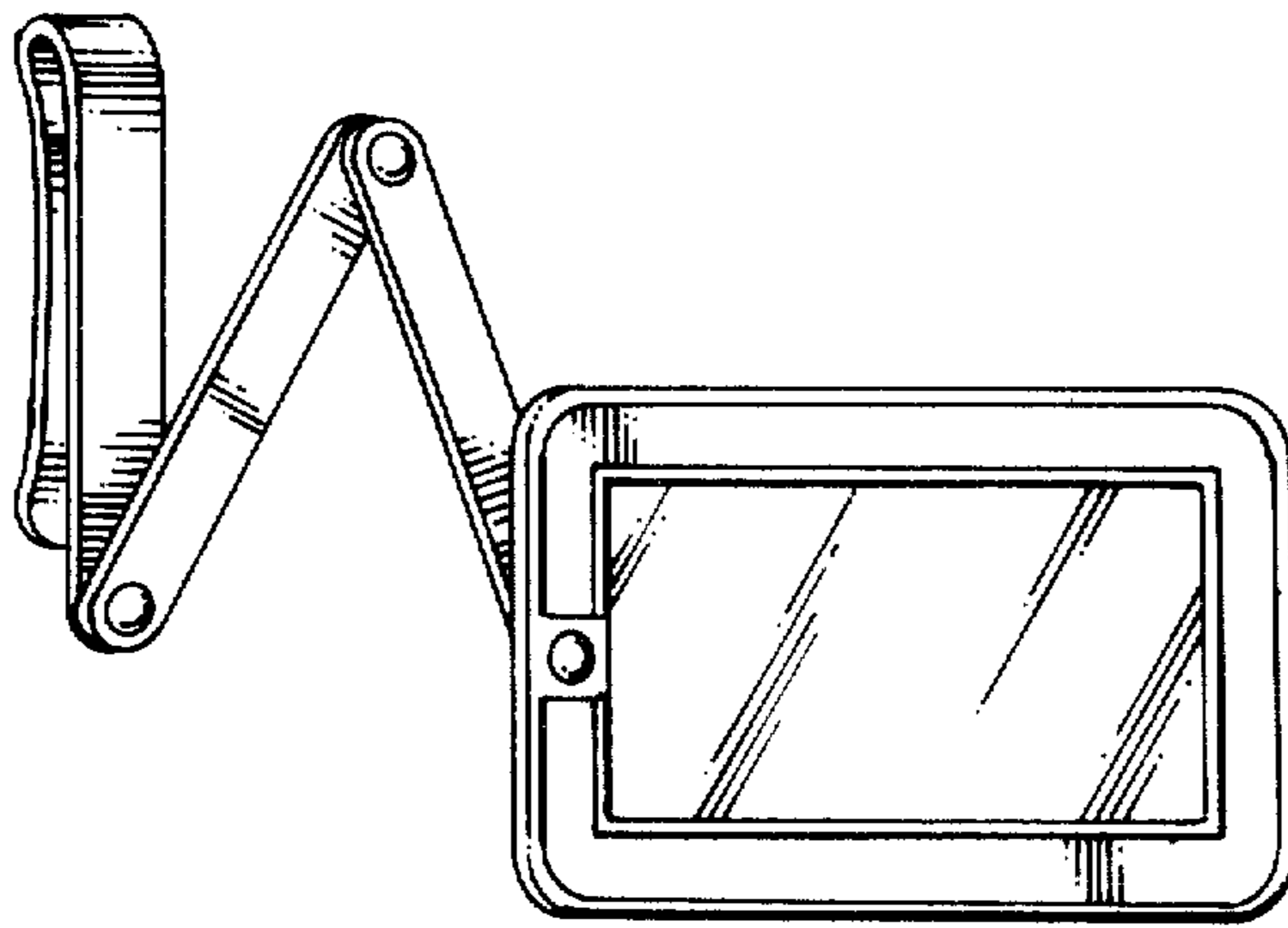


Fig. 1

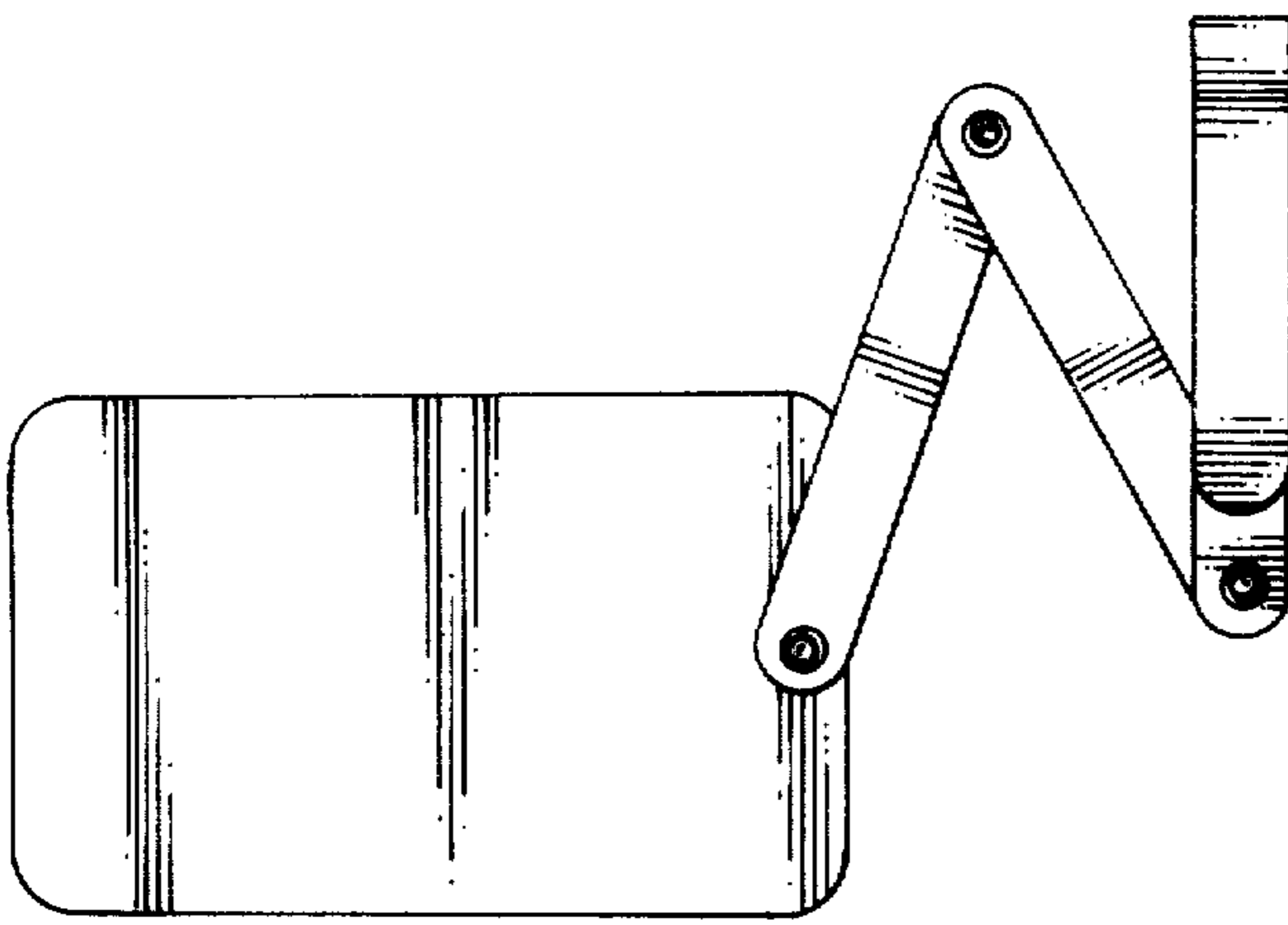


Fig. 2

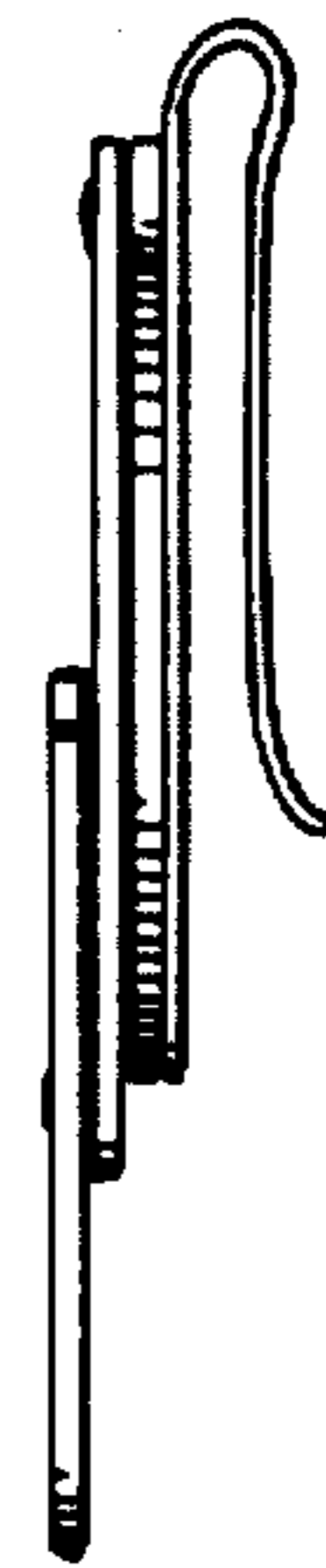


Fig. 3

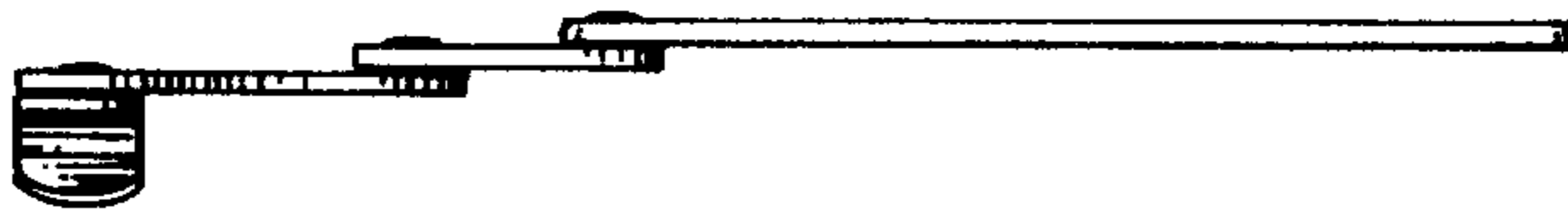


Fig. 4