

[54] GOOSENECK TRAILER HITCH CONVERTER

[76] Inventor: Marvin T. Carnes, Rte. 1, Crescent, Okla. 73028

[**] Term: 14 Years

[21] Appl. No.: 639,378

[22] Filed: Dec. 10, 1975

[51] Int. Cl. D12-16

[52] U.S. Cl. D12/162

[58] Field of Search D12/162, 97; 280/423 R, 280/415 B, 501, 425 A, 423 B

[56] References Cited

U.S. PATENT DOCUMENTS

3,945,668 3/1976 Holland 280/423 R
D. 237,169 10/1975 Hill et al. D12/97

OTHER PUBLICATIONS

Implement & Tractor, Jan. 7, 1975, Gooseneck Trailer Hitch, top center of page, p. 52.

Implement & Tractor, Mar. 31, 1975, p. 106, Gooseneck Trailer Hitch, top left side of page.

Primary Examiner—Wallace R. Burke
Assistant Examiner—James M. Gandy
Attorney, Agent, or Firm—William R. Laney

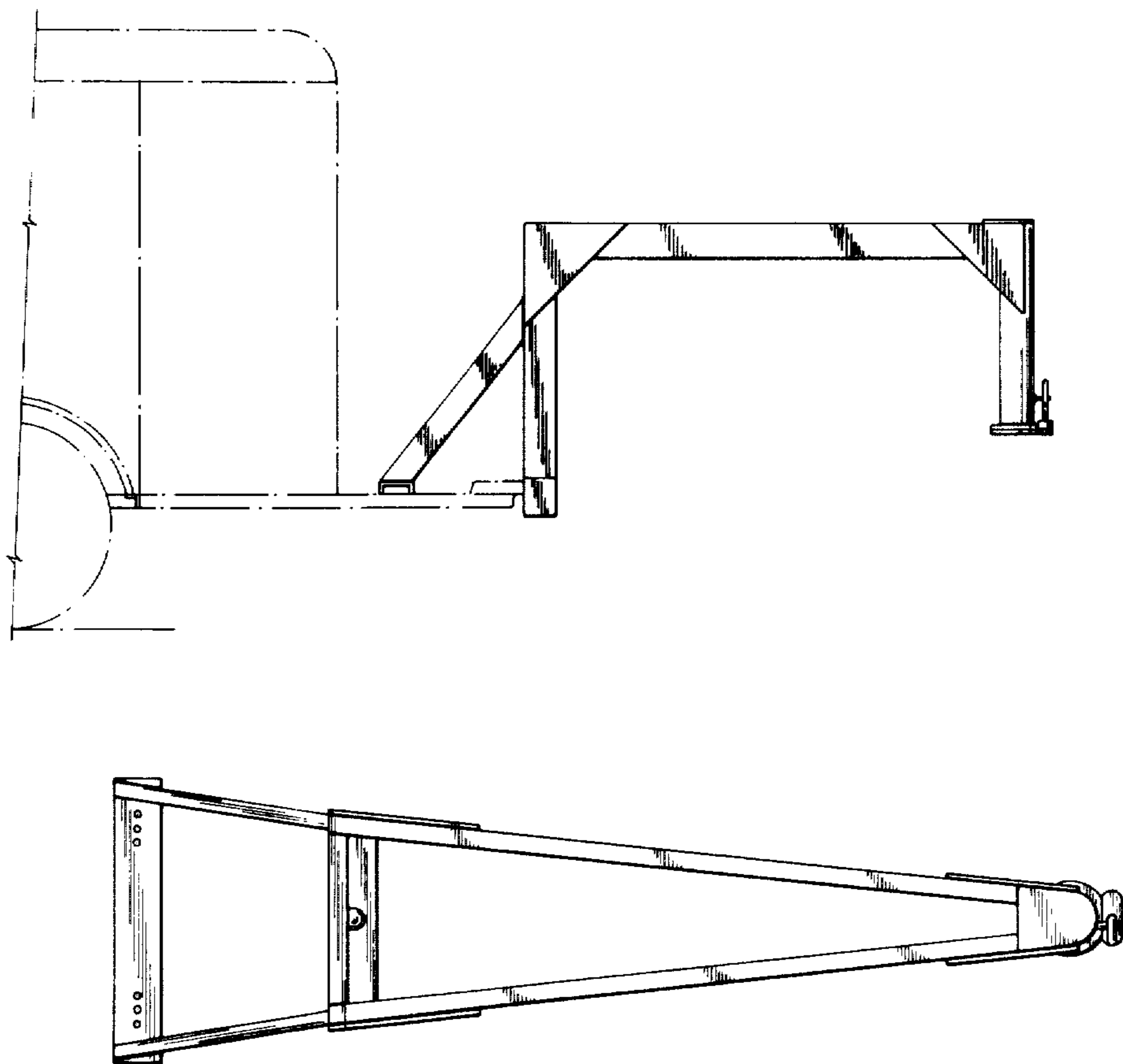
[57] CLAIM

The ornamental design for gooseneck trailer hitch converter, substantially as shown and described.

DESCRIPTION

FIG. 1 is a right side elevation view of the gooseneck trailer hitch converter showing the present design; FIG. 2 is a top plan view thereof to an enlarged scale; FIG. 3 is a bottom plan view thereof to an enlarged scale; FIG. 4 is a left side elevation view thereof to an enlarged scale; FIG. 5 is a rear elevation view thereof to an enlarged scale; FIG. 6 is a front elevation view thereof to an enlarged scale.

The broken lines in FIG. 1 of the drawing are for illustrative purposes only.



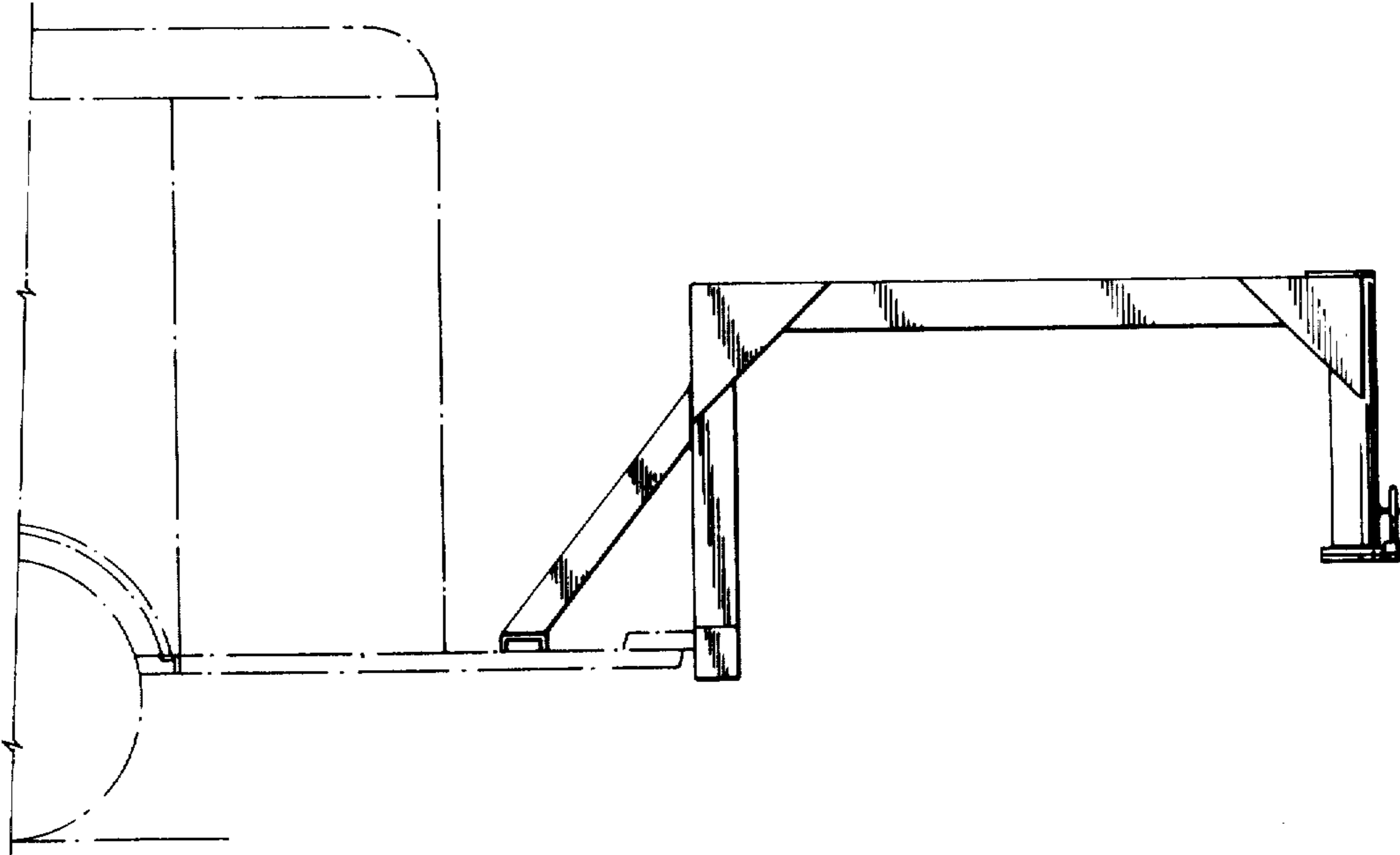


FIG. 1

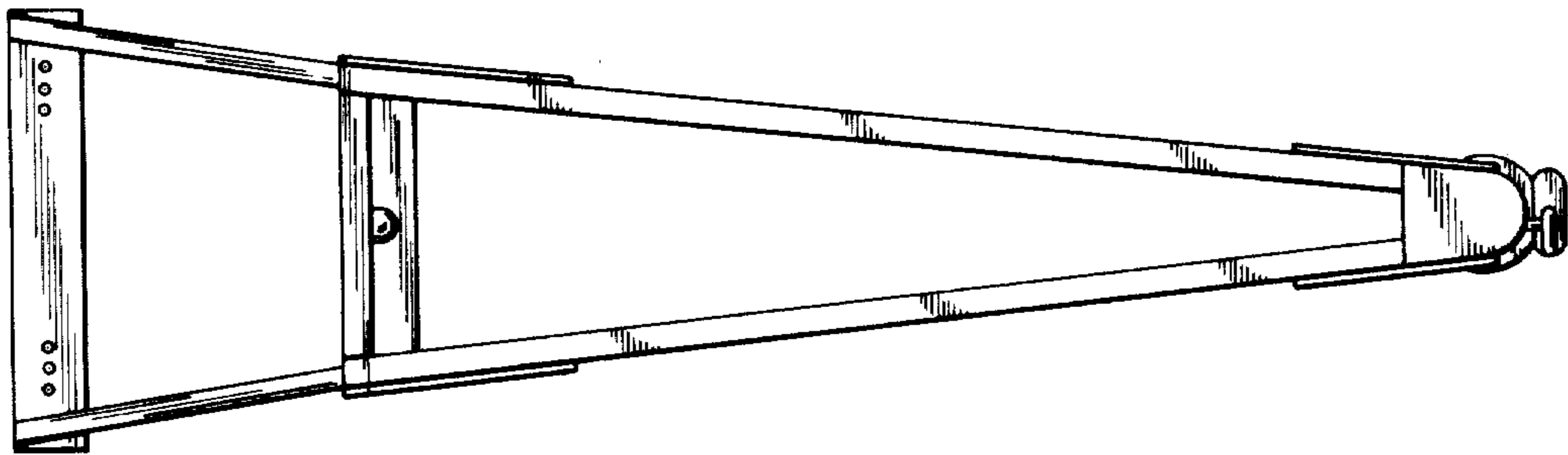


FIG. 2

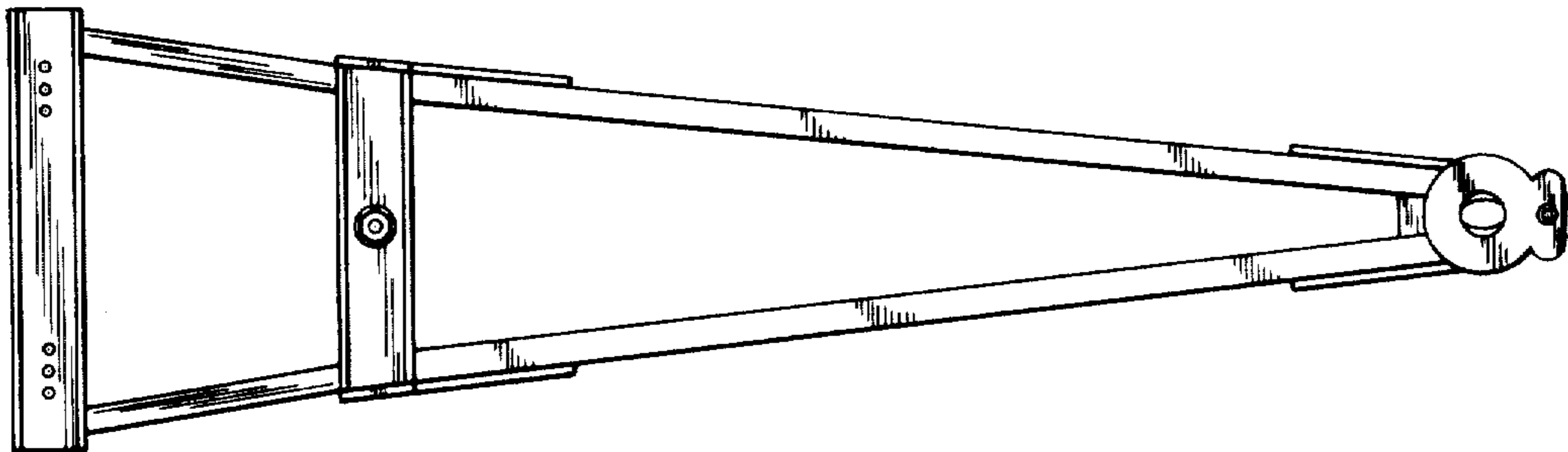


FIG. 3

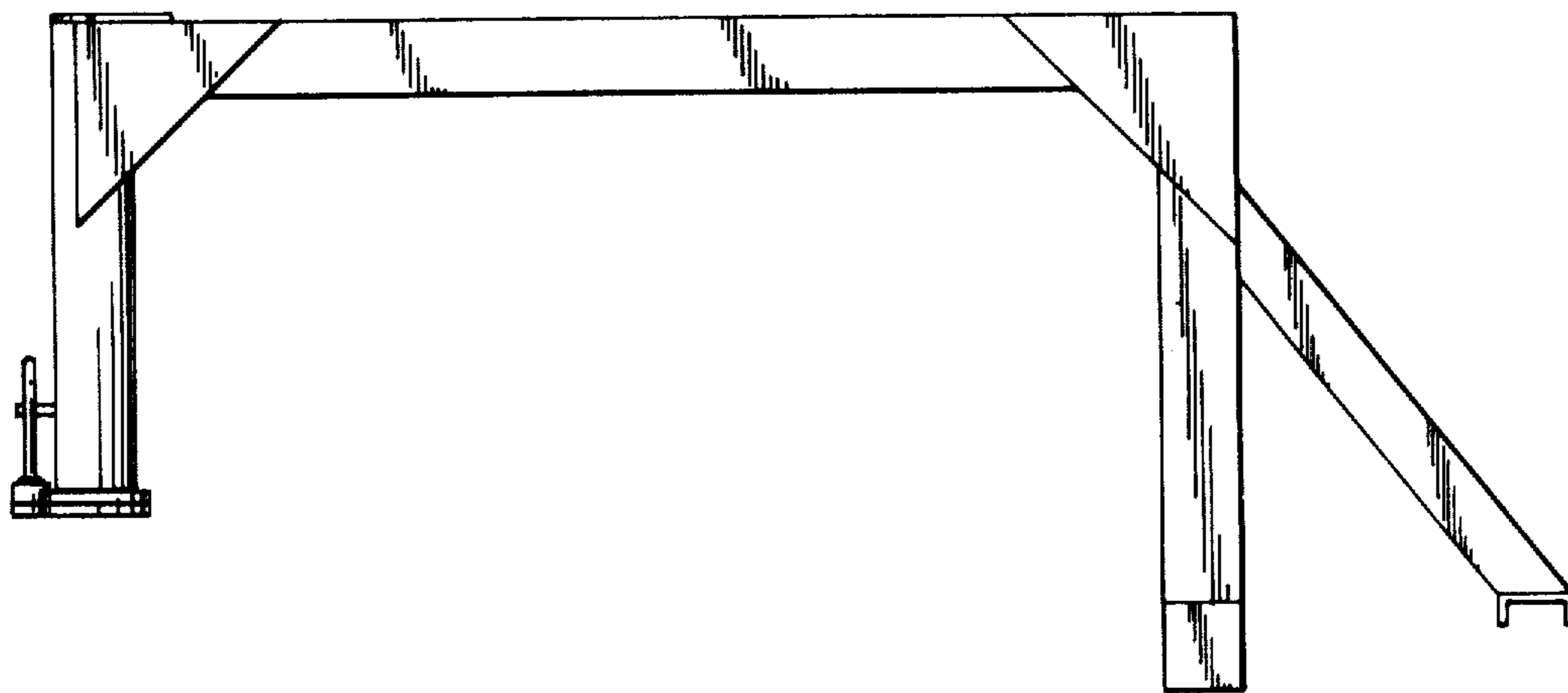


FIG. 4

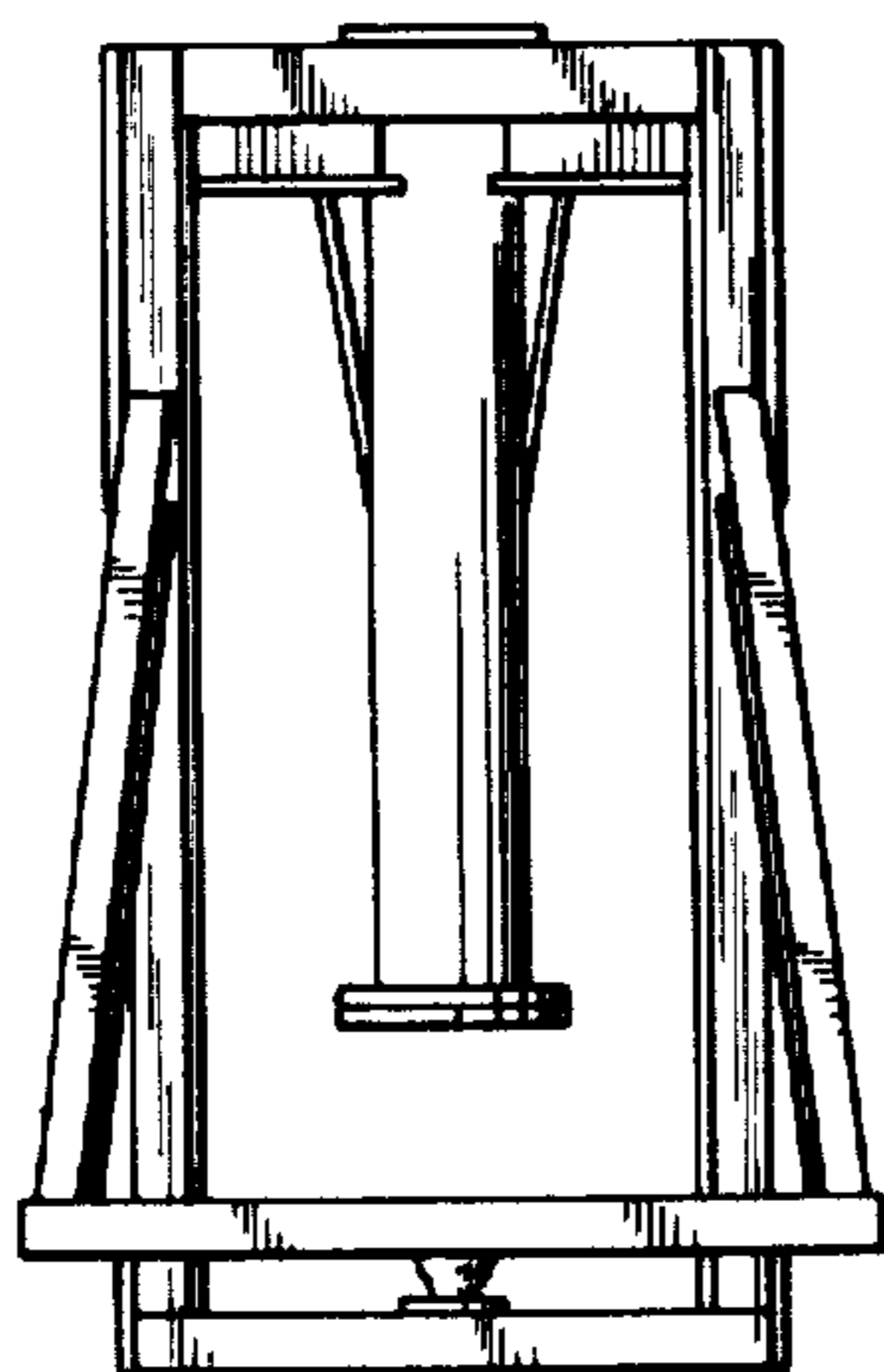


FIG. 5

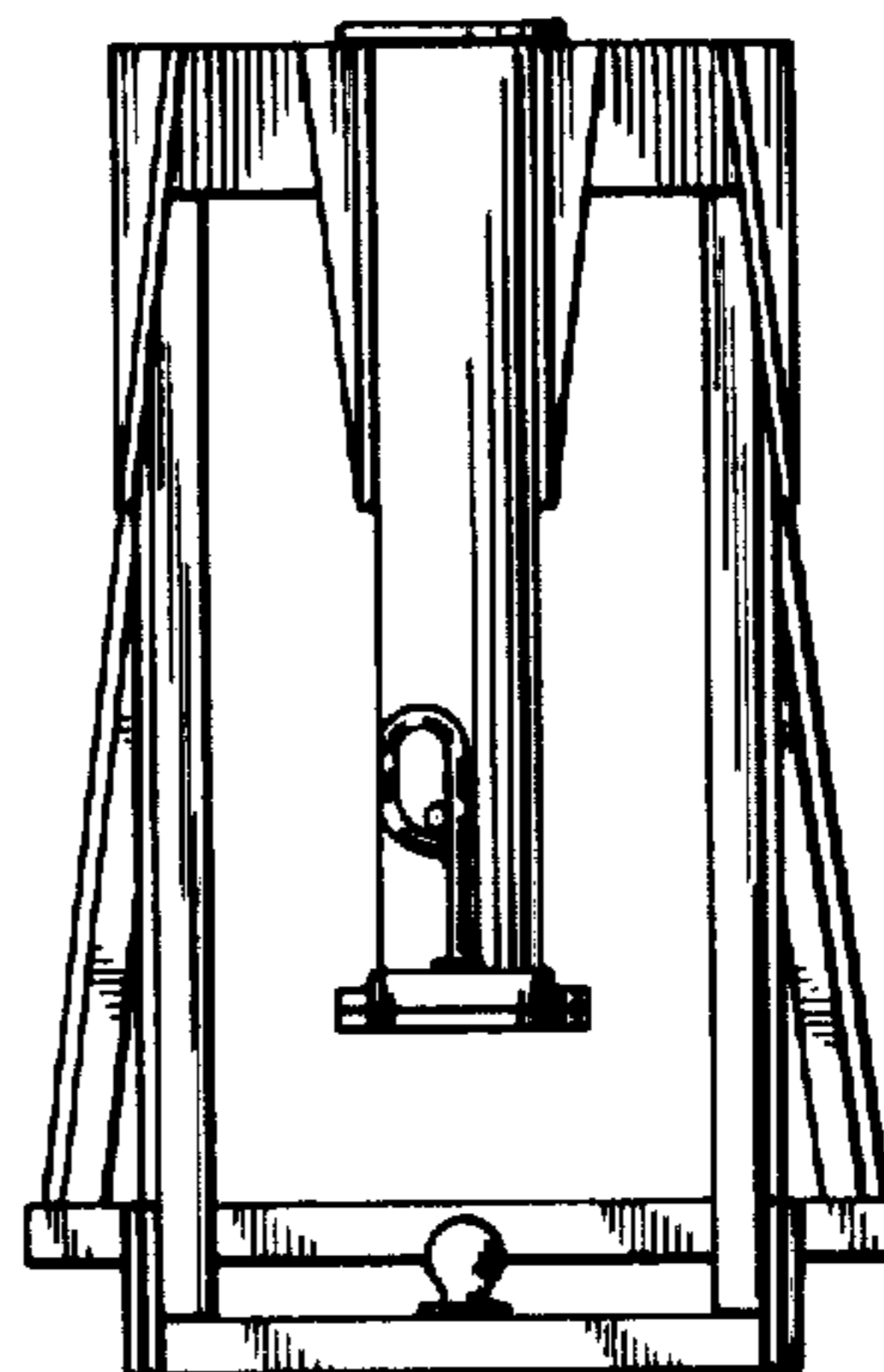


FIG. 6