

[54] MOTORCYCLE ACCESSORY CONSOLE

[76] Inventor: Tommy W. Dixon, 1509 W. Willetta, Phoenix, Ariz. 85007

[\*\*] Term: 14 Years

[21] Appl. No.: 646,190

[22] Filed: Jan. 2, 1976

[51] Int. Cl. .... D12-11

[52] U.S. Cl. .... D12/114

[58] Field of Search ..... D12/114, 158, 192; D56/4 B, 4 C; 312/7 R; 280/289 R, 289 D, 289 G, 289 S, 289 H; 180/90, 30, 31, 33 R, 35; 296/70

[56] References Cited

U.S. PATENT DOCUMENTS

2,588,671	3/1952	Tringali .....	280/289 UX
D. 193,049	6/1962	Masterson et al. ....	D12/158
D. 193,714	10/1962	Rector .....	D56/4 B
D. 238,766	2/1976	Fritts et al. ....	D12/114
D. 238,864	2/1976	Masterson .....	D12/114

OTHER PUBLICATIONS

Popular Science, 11/73, p. 94, Bike Radio, bottom right side of page.

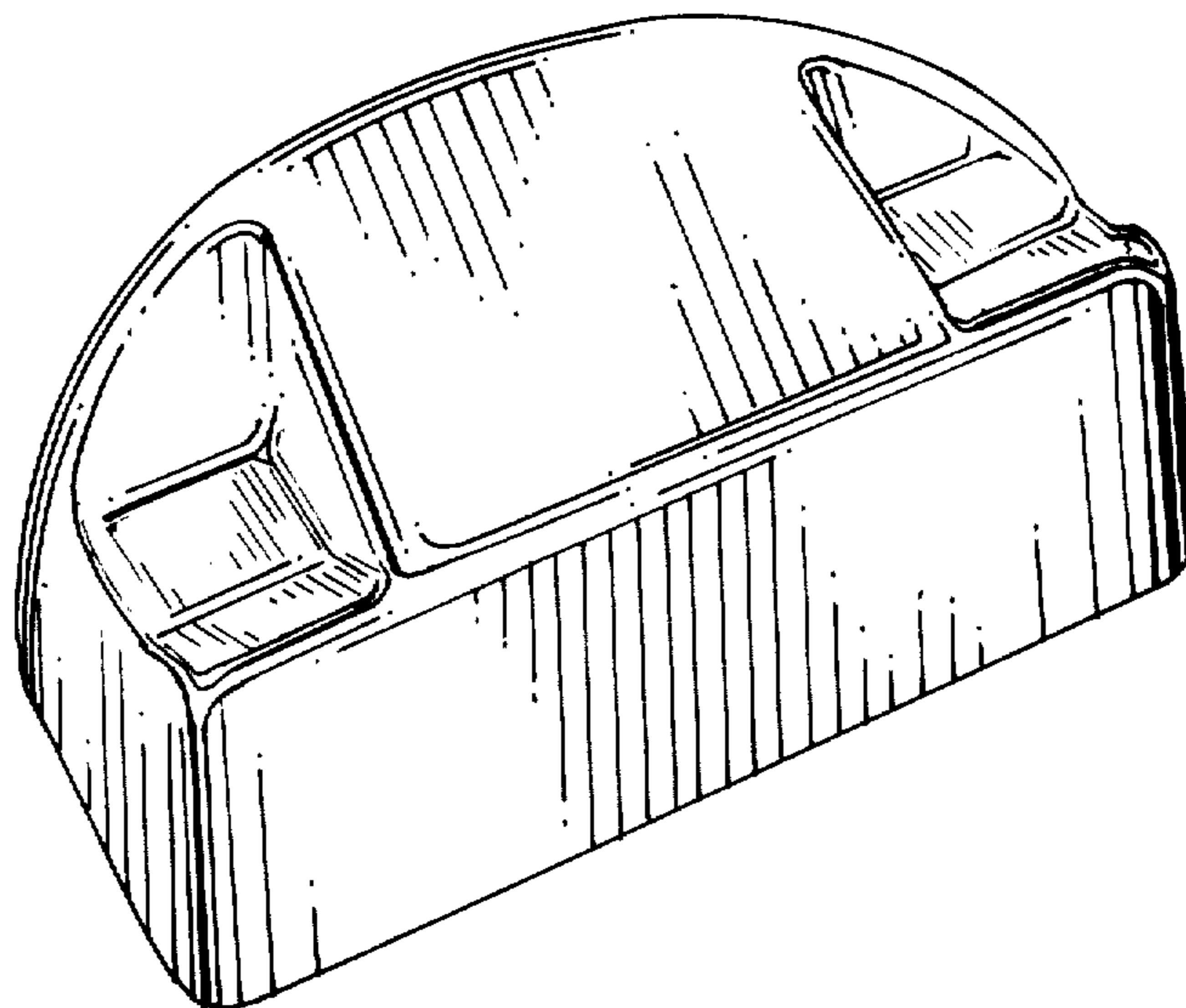
Primary Examiner—Wallace R. Burke  
Assistant Examiner—James M. Gandy  
Attorney, Agent, or Firm—H. Gordon Shields

[57] CLAIM

The ornamental design for motorcycle accessory console, as shown.

DESCRIPTION

FIG. 1 is a top left front perspective view of a motorcycle accessory console, showing my new design; FIG. 2 is a left side elevational view thereof to an enlarged scale; FIG. 3 is a front elevational view thereof; FIG. 4 is a rear elevational view thereof; FIG. 5 is a top plan view thereof; and FIG. 6 is a bottom right rear perspective view thereof.



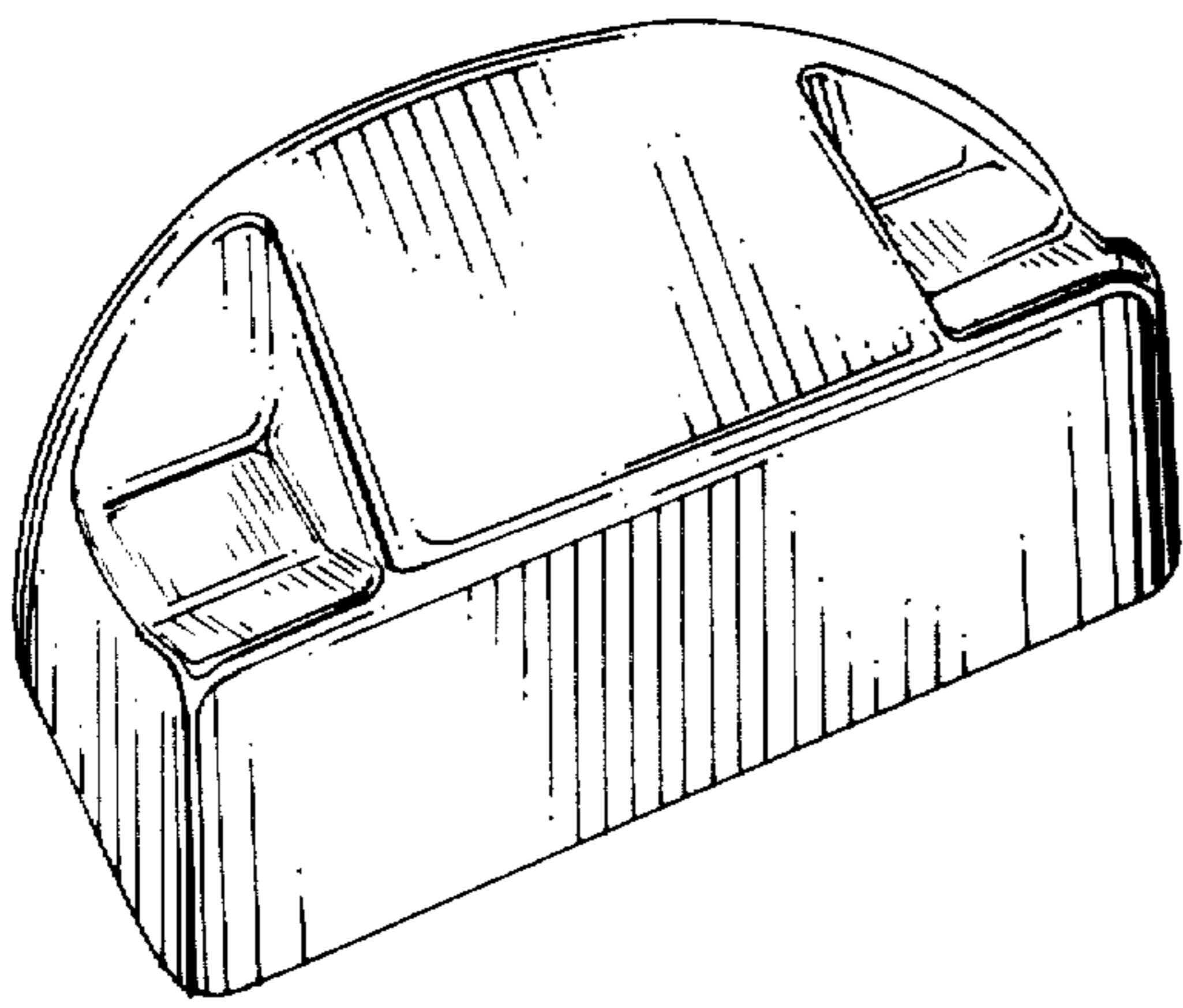


FIG. 1

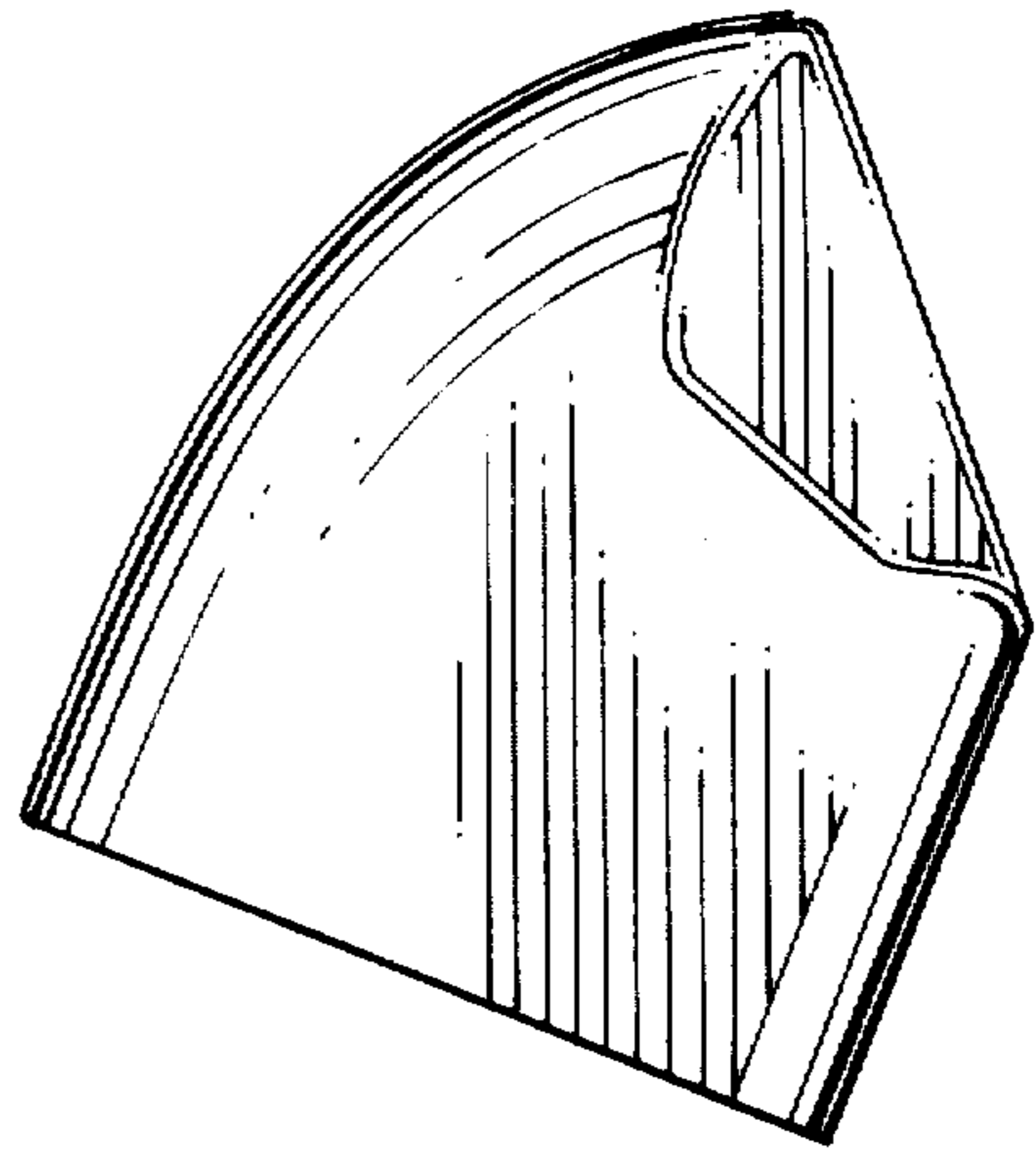


FIG. 2

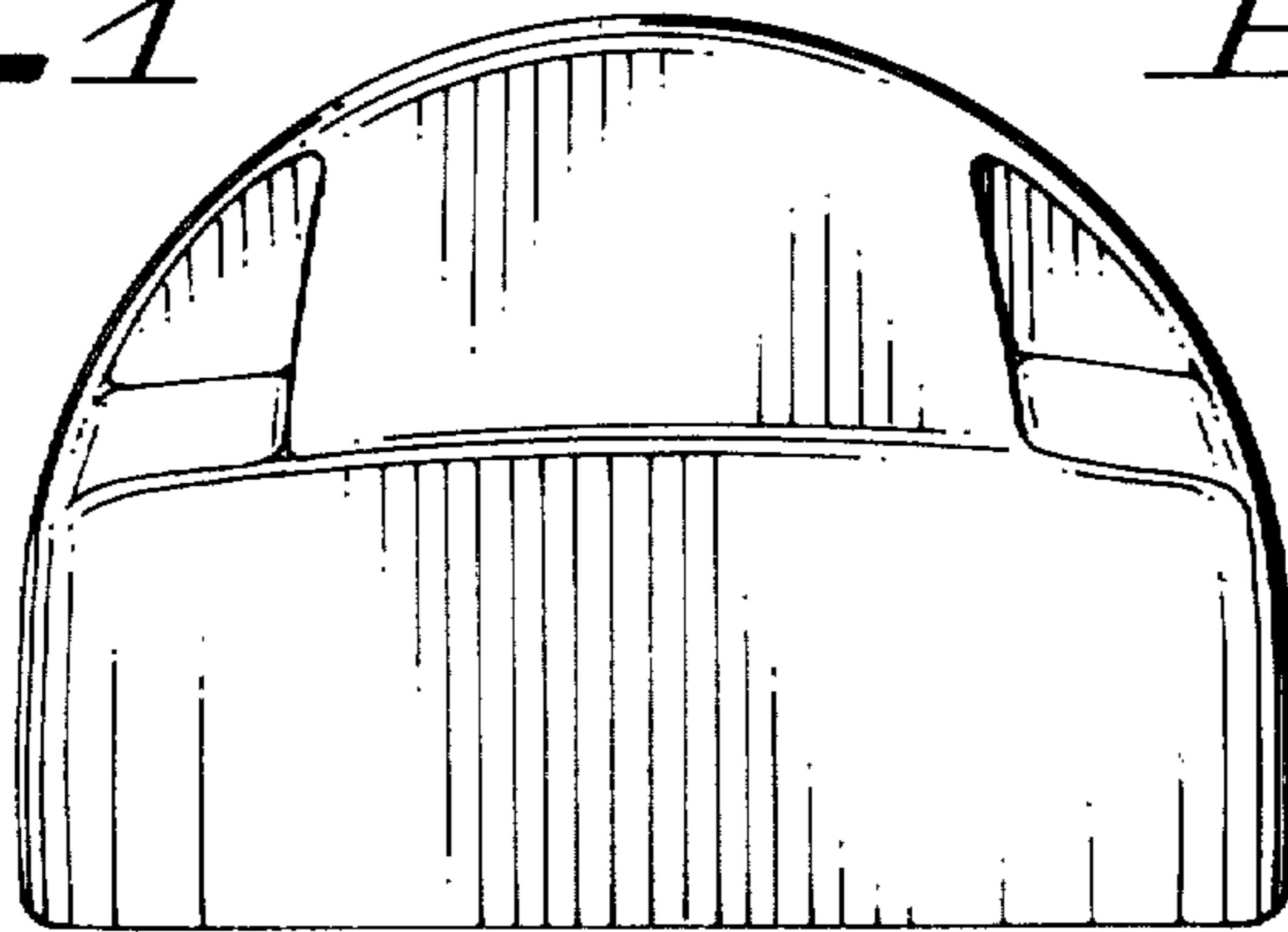


FIG. 3

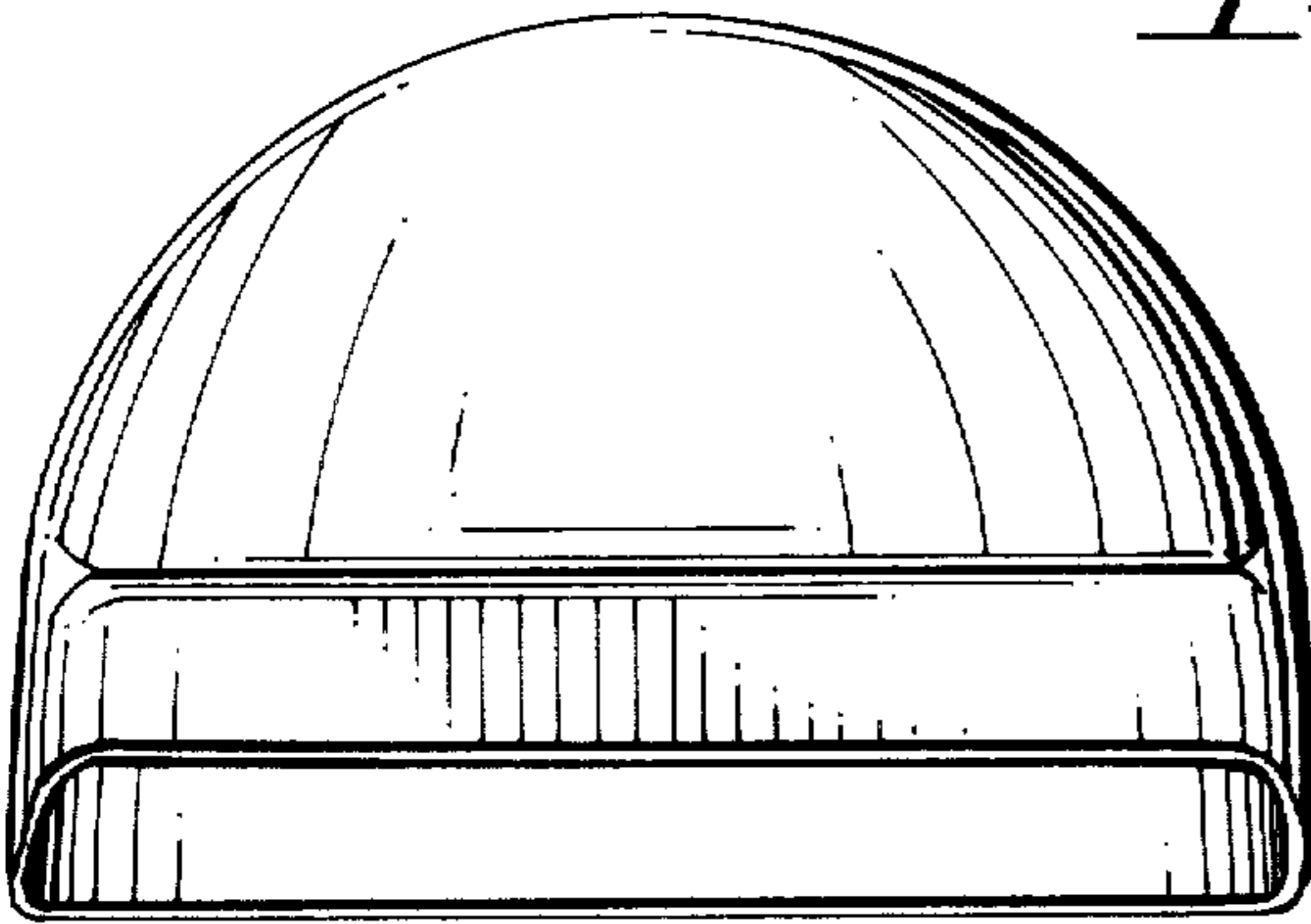


FIG. 4

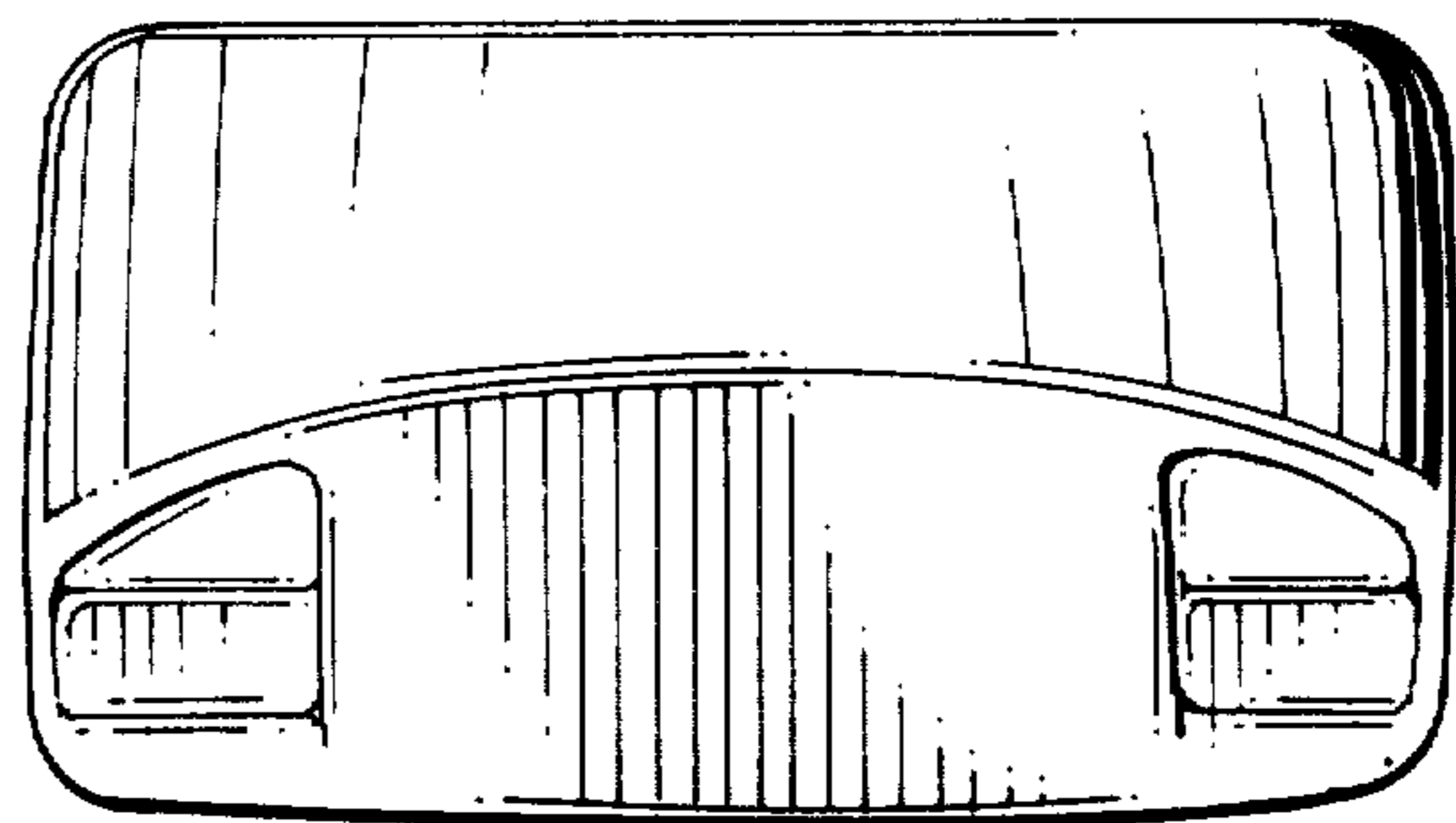


FIG. 5

FIG. 6

