

[54] **ACCESSORY CONSOLE FOR MOTORCYCLES**

[76] Inventor: **Tommy W. Dixon**, 1509 W. Willetta, Phoenix, Ariz. 85007

[**] Term: **14 Years**

[21] Appl. No.: **599,828**

[22] Filed: **July 28, 1975**

[51] Int. Cl. **D12-11**

[52] U.S. Cl. **D12/114**

[58] **Field of Search** D12/114, 158, 192; D56/4 B, 4 C; 312/7 R; 280/289 R, 289 D, 289 G, 289 S, 289 H; 180/30, 31, 33 R, 35, 90; 296/70

D. 238,864 2/1976 Masterson D12/114
 D. 238,939 2/1976 Weber D12/114

FOREIGN PATENT DOCUMENTS

571,612 8/1945 United Kingdom 180/90

Primary Examiner—Wallace R. Burke
Assistant Examiner—James M. Gandy
Attorney, Agent, or Firm—H. Gordon Shields

CLAIM

[57] The ornamental design for an accessory console for motorcycles, as shown.

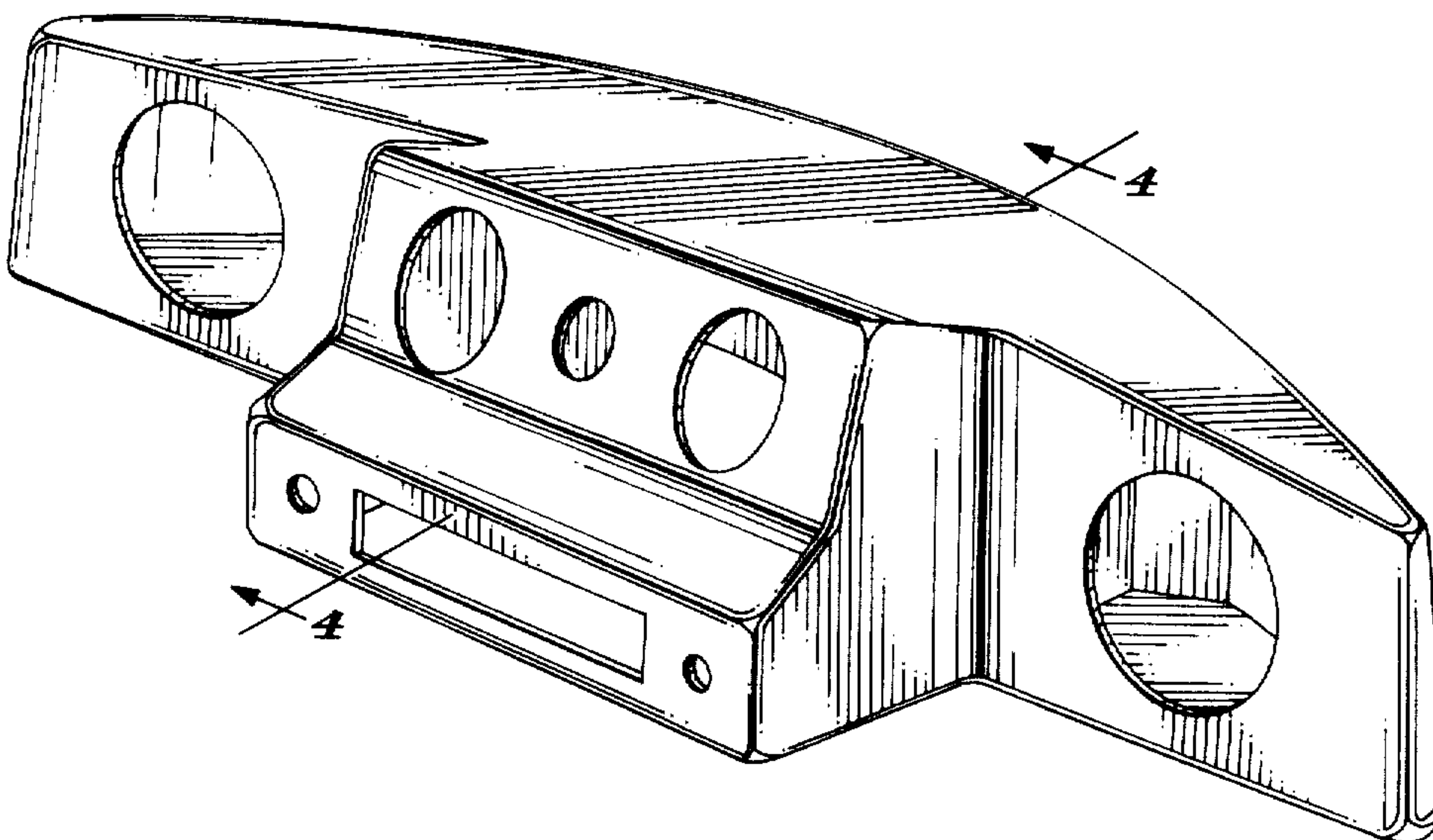
DESCRIPTION

FIG. 1 is a perspective view of an accessory console for motorcycles showing my new design;
 FIG. 2 is a bottom perspective view thereof;
 FIG. 3 is a bottom plan view thereof to a reduced scale; and
 FIG. 4 is a sectional view thereof taken along line 4—4 in FIG. 1.

[56] **References Cited**

U.S. PATENT DOCUMENTS

2,588,671 3/1952 Tringali 280/289 UX
 D. 193,049 6/1962 Masterson et al. D12/158
 D. 238,766 2/1976 Fritts et al. D12/114



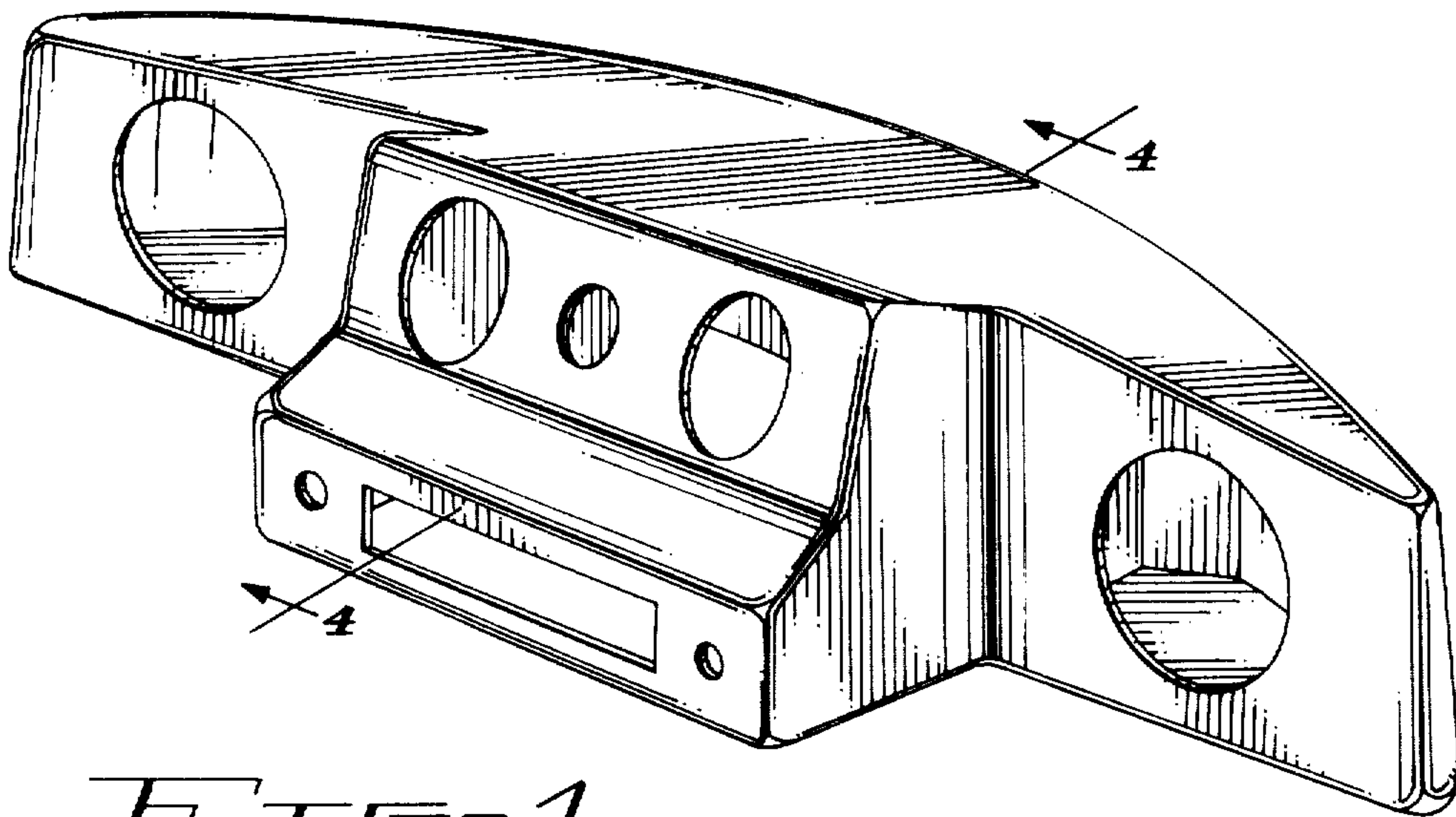


FIG. 1

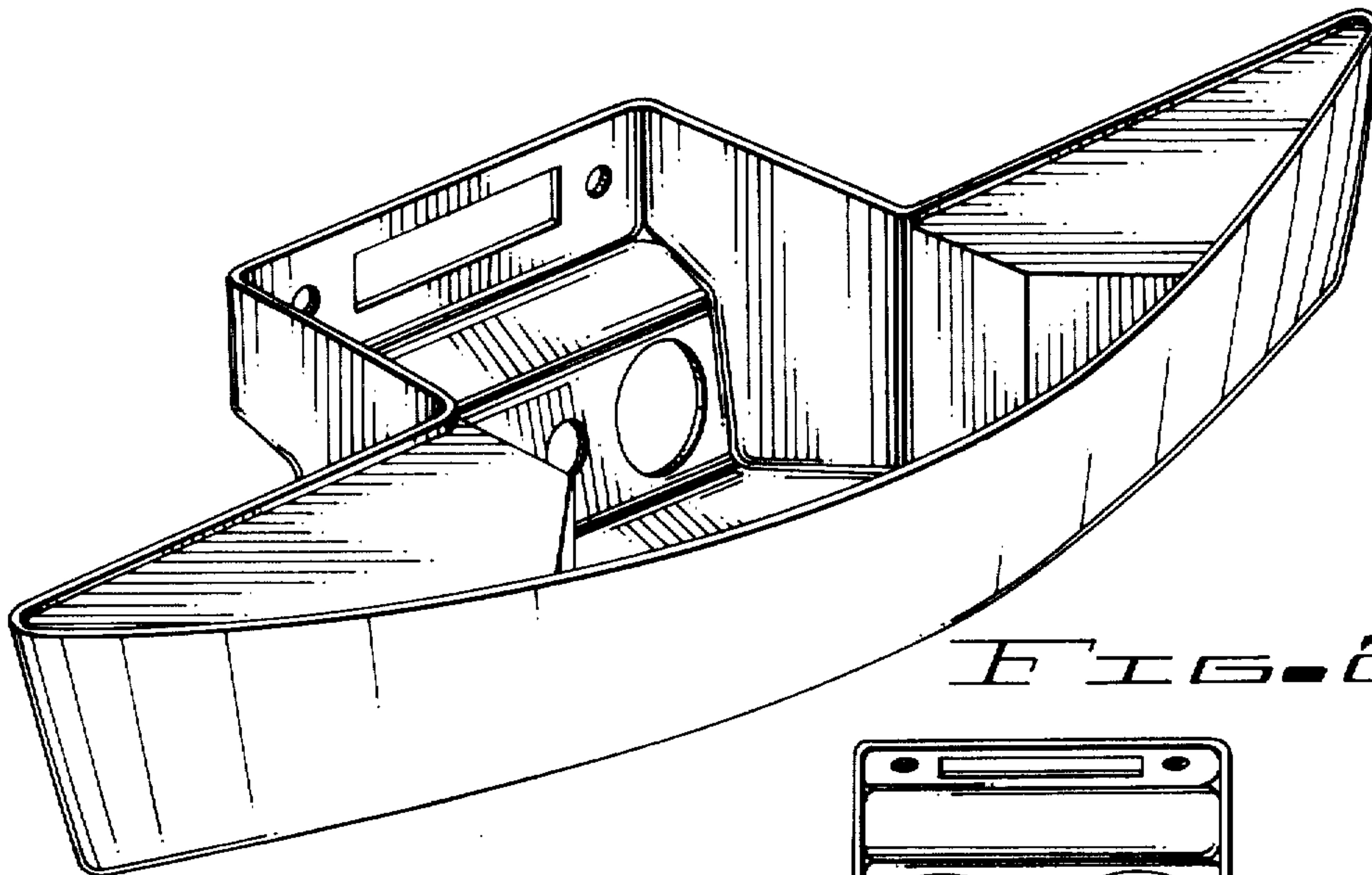


FIG. 2

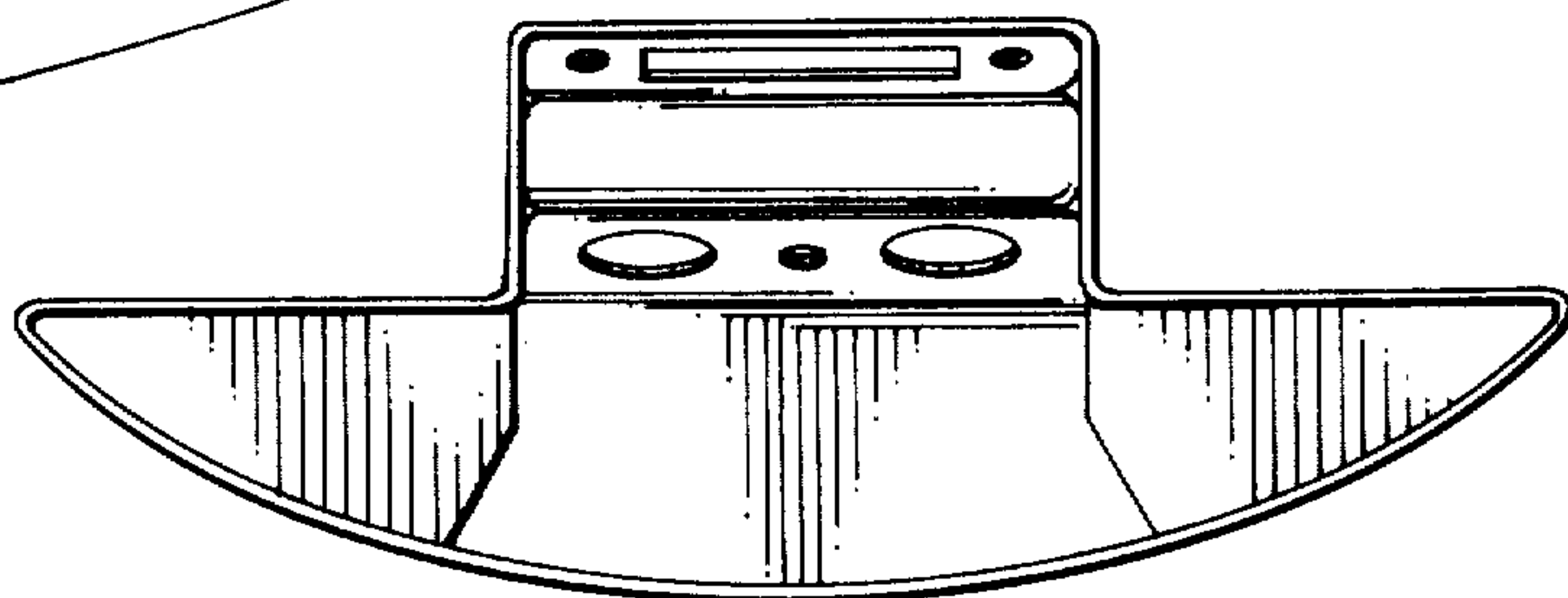


FIG. 3

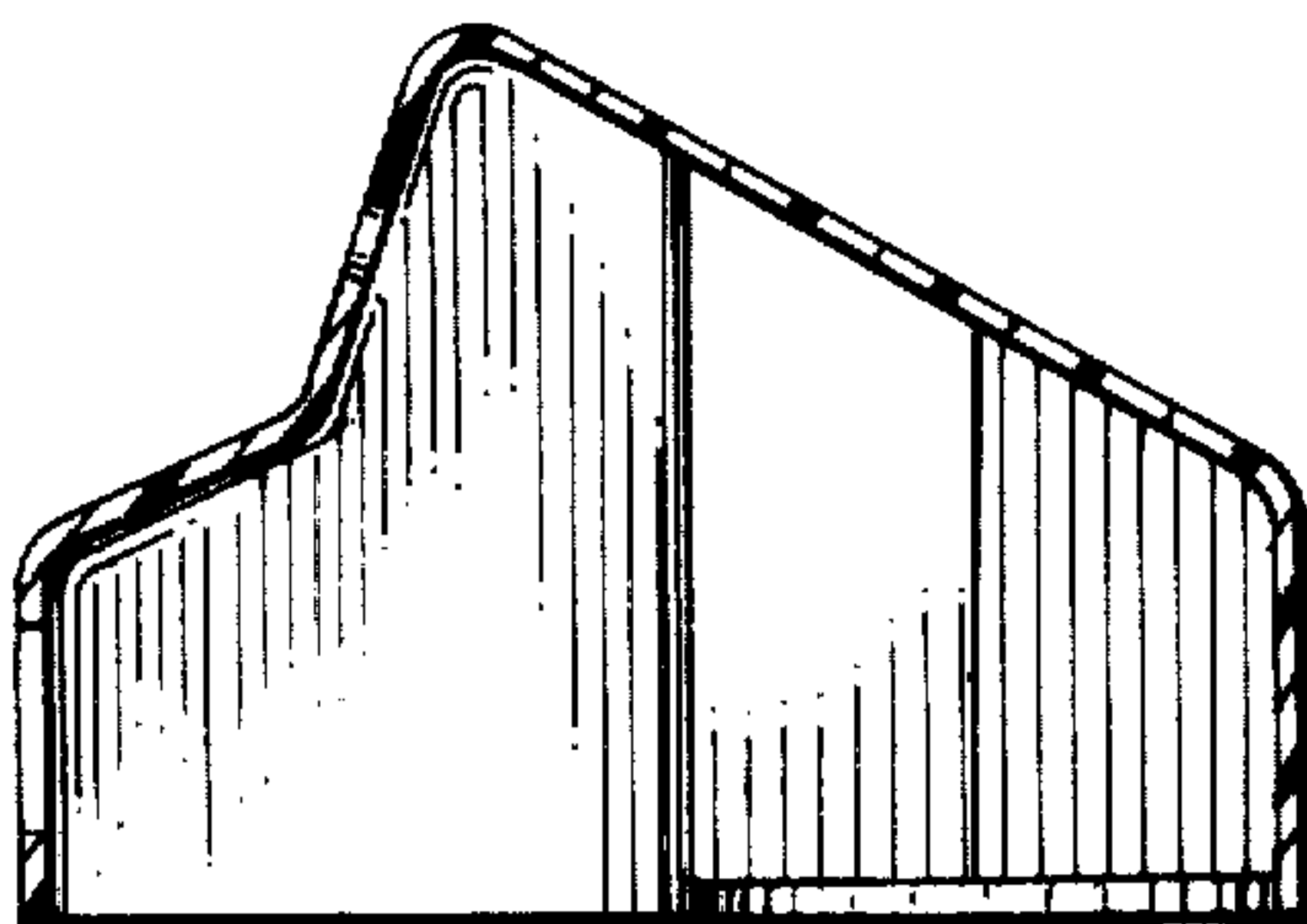


FIG. 4