

[54] TRUCK CAB

[76] Inventors: **Ronald A. Servais**, 7359 Mohawk Trail, Dayton, Ohio 45459; **Paul T. Bauer**, 4048 Eckworth Drive, Bellbrook, Ohio 45305

[\*\*] Term: **14 Years**

[21] Appl. No.: **620,593**

[22] Filed: **Oct. 8, 1975**

[51] Int. Cl. .... **D12-08**

[52] U.S. Cl. .... **D12/97**

[58] Field of Search ..... D12/96-98;  
180/89 R, 89 A; 296/28 C

[56] **References Cited**

**U.S. PATENT DOCUMENTS**

3,719,244	3/1973	Miller et al. ....	D12/97 UX
D. 146,879	6/1947	Sebern .....	D12/97
D. 163,544	6/1951	Selzer .....	D12/98

**OTHER PUBLICATIONS**

Business Week, June 19, 1943, p. 97, Truck Cab, top of page.

*Primary Examiner*—Susie J. Mercer  
*Assistant Examiner*—James M. Gandy  
*Attorney, Agent, or Firm*—Lawrence B. Biebel

[57] **CLAIM**

The ornamental design for a truck cab, substantially as shown.

**DESCRIPTION**

FIG. 1 is a perspective view of the truck cab showing our new design;  
FIG. 2 is a side elevational view thereof;  
FIG. 3 is a front elevational view thereof;  
FIG. 4 is a rear elevational view thereof;  
FIG. 5 is a top plan view thereof; and  
FIG. 6 is a bottom view thereof.

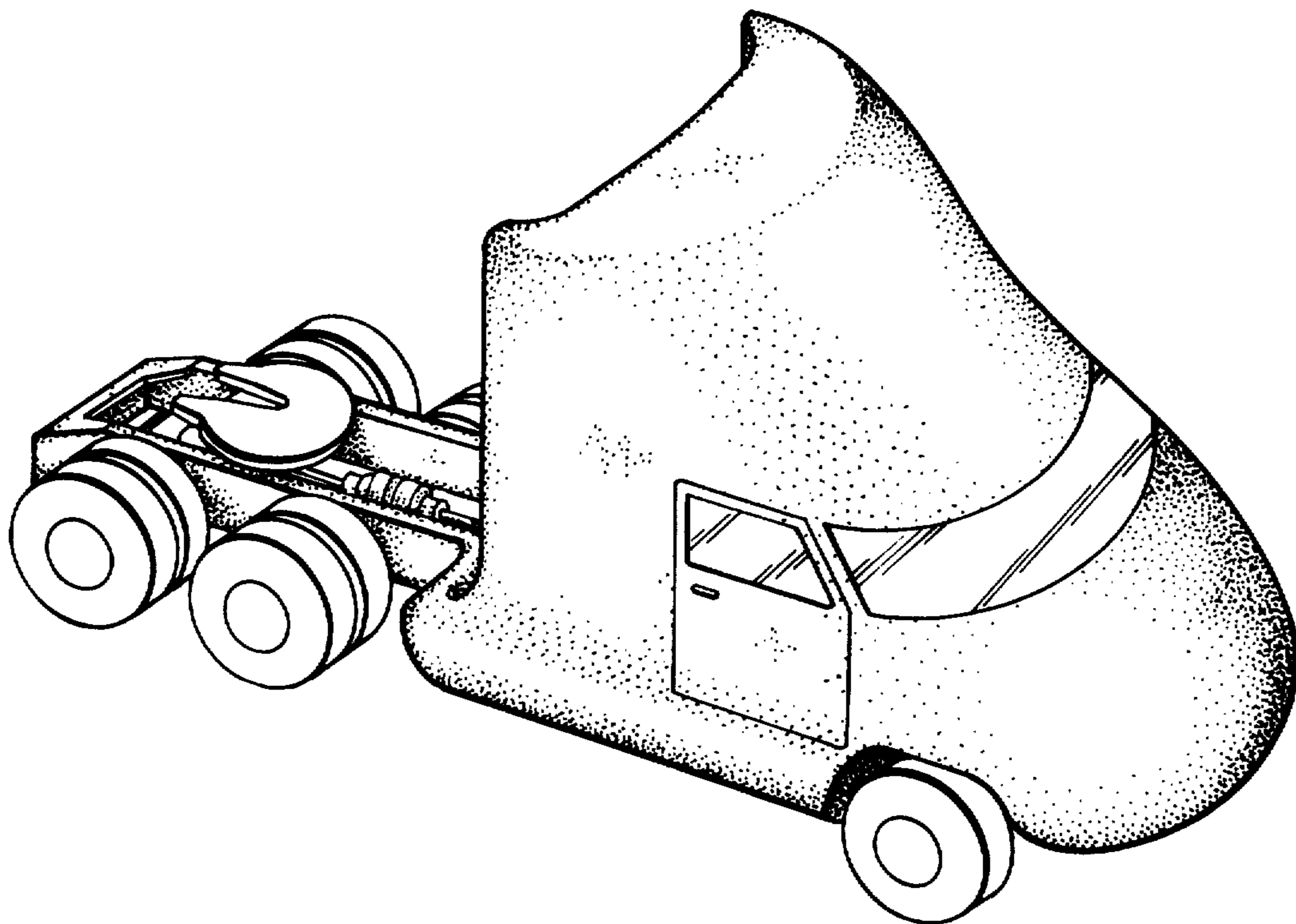


FIG -1

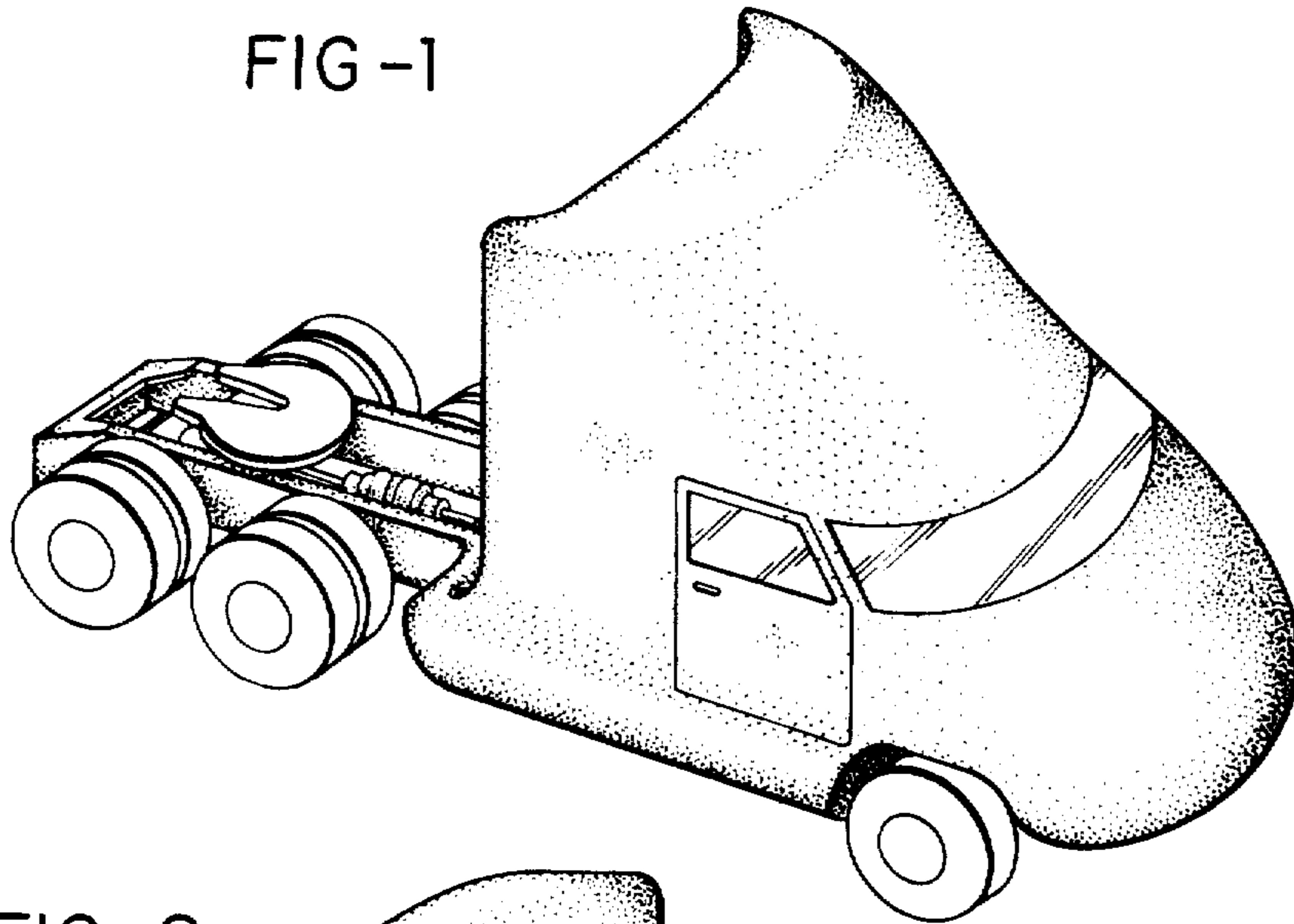


FIG -2

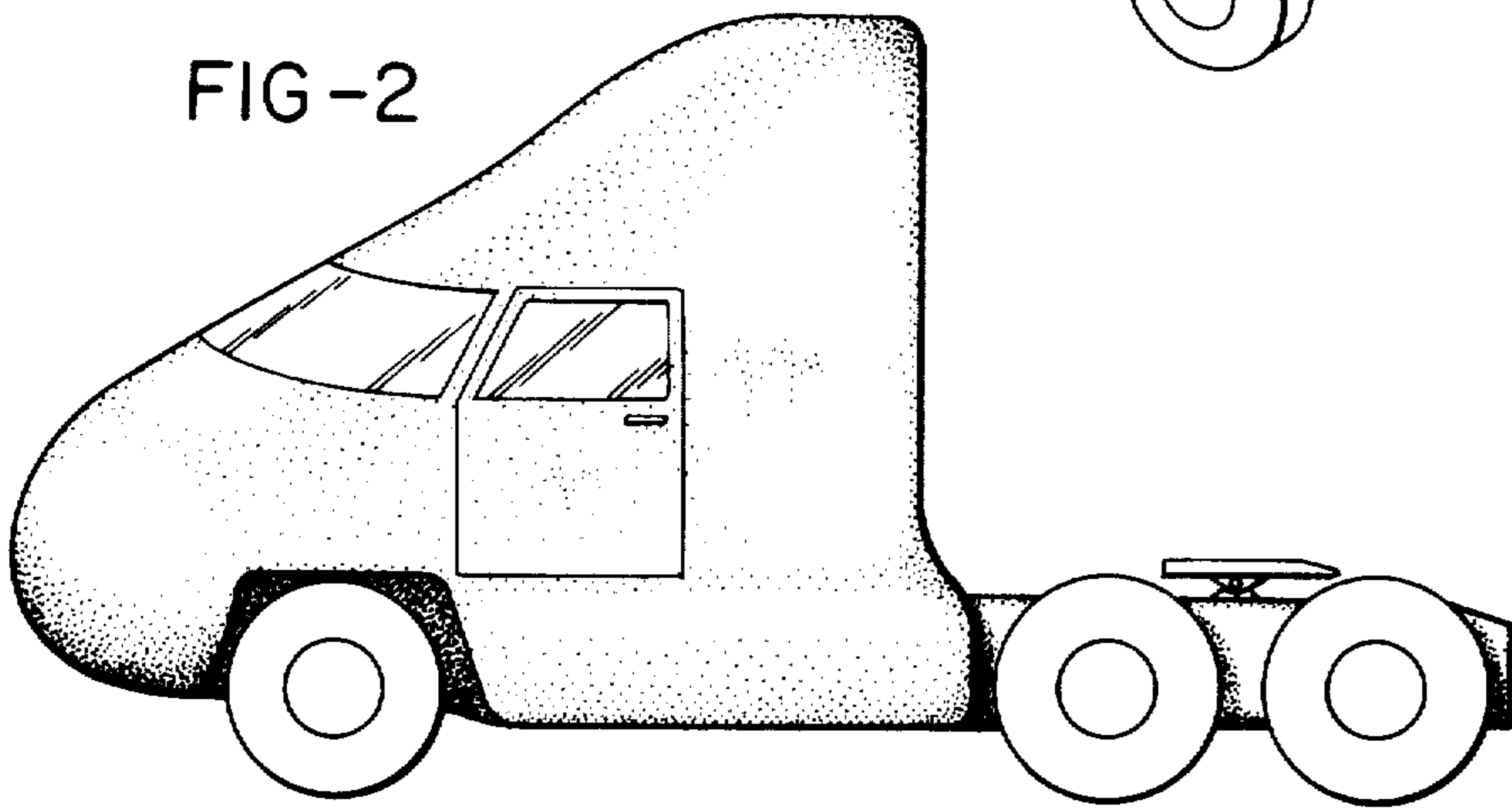


FIG -3

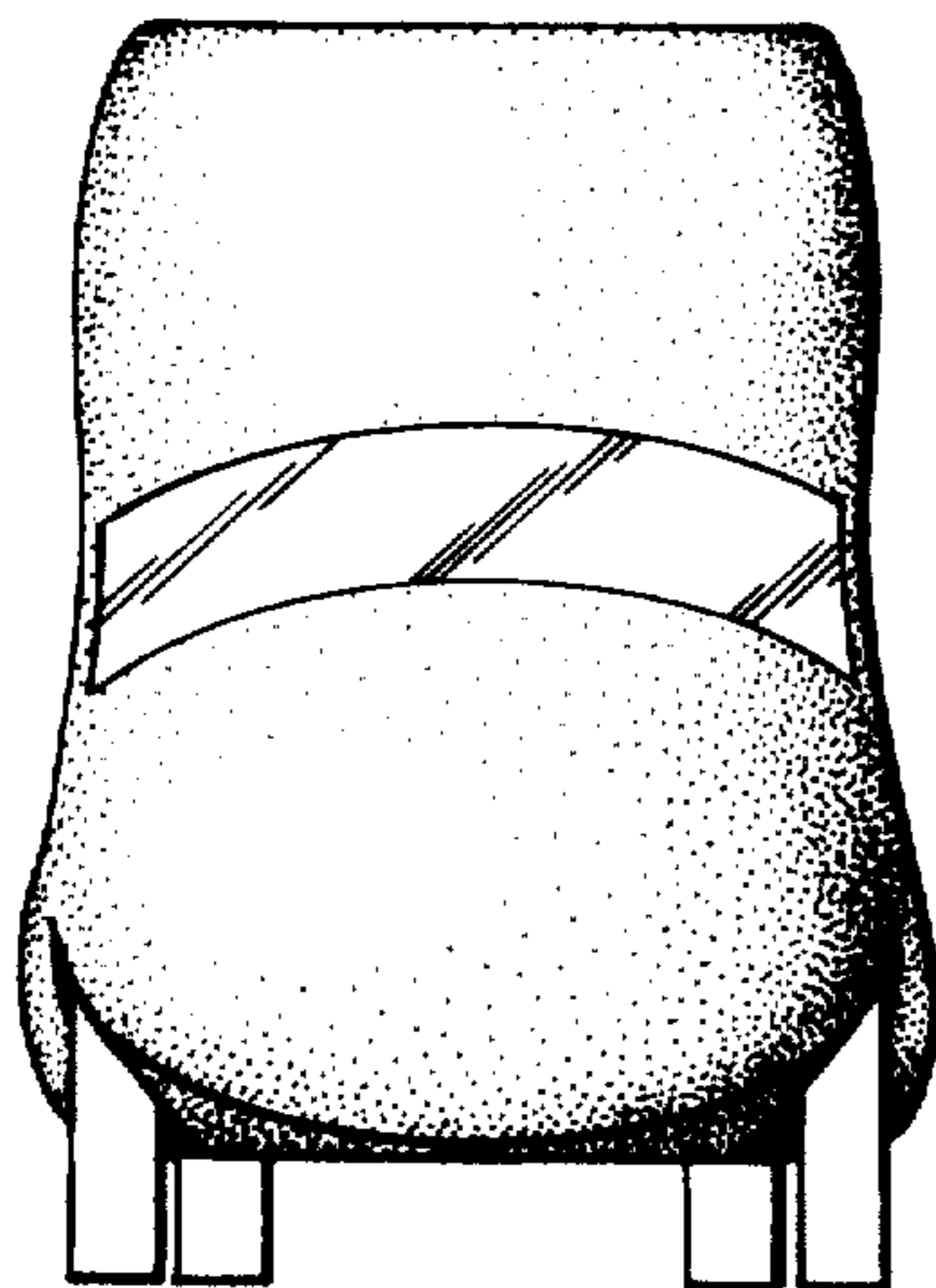


FIG -4

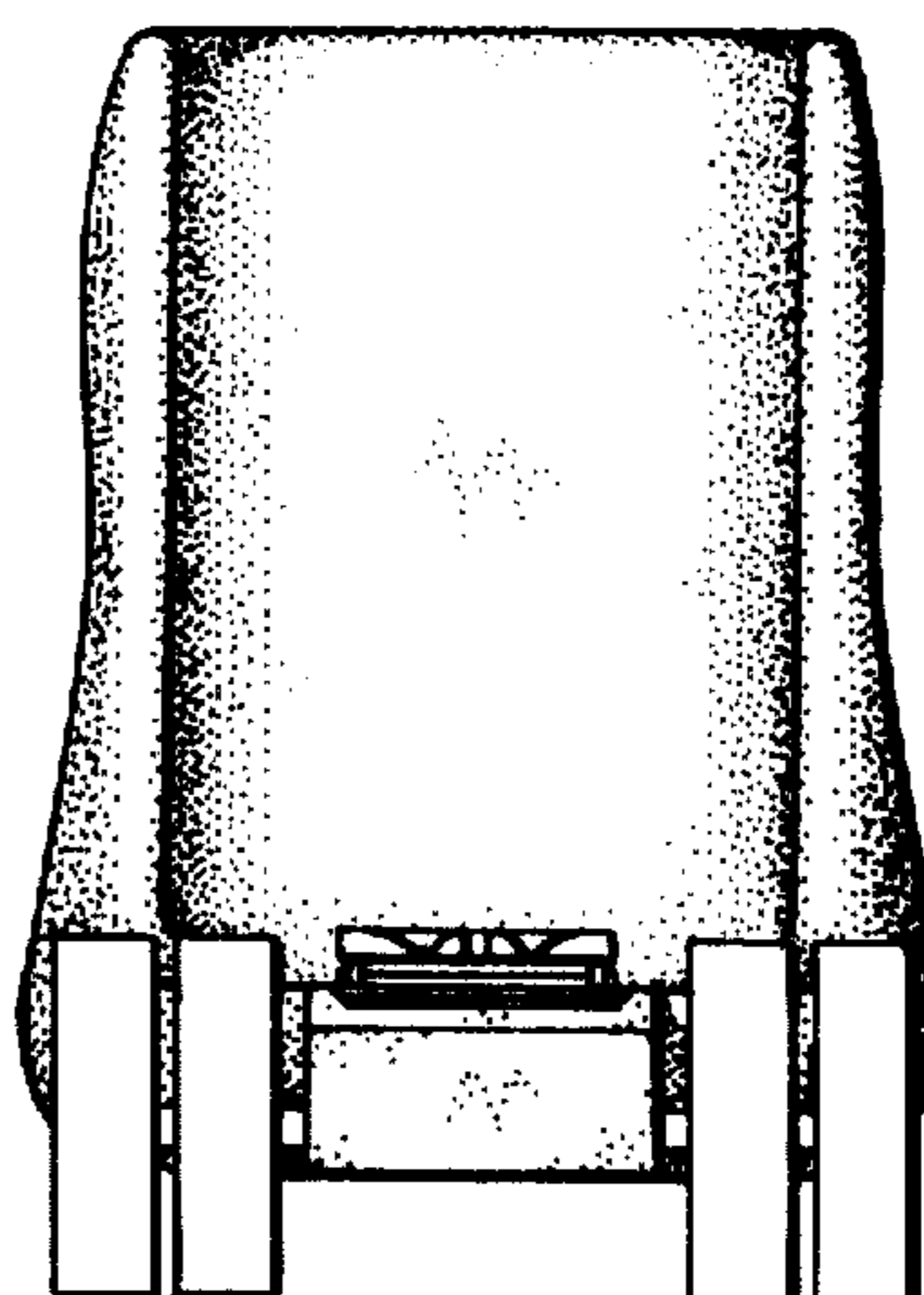


FIG-5

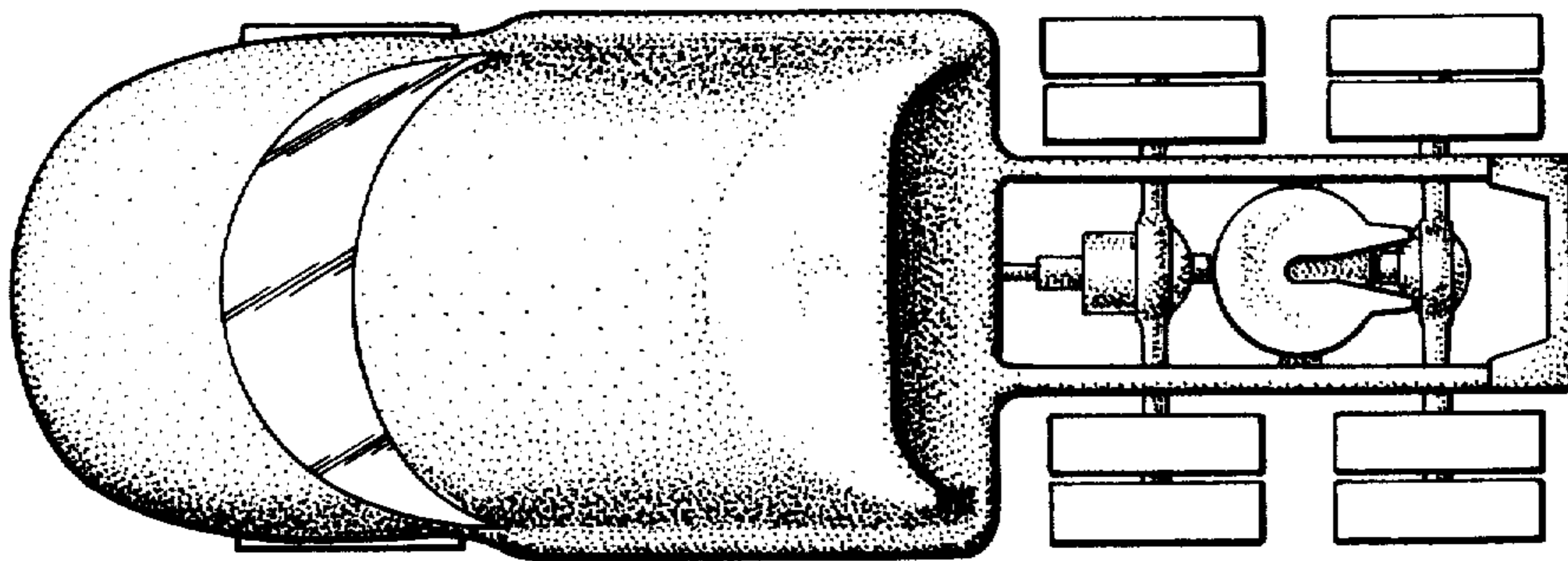


FIG-6

