

[54] CURTAIN ROD BRACKET

[76] Inventor: Ljot M. Inglis, 13463 Sayre, Sylmar, Calif. 91342

[**] Term: 14 Years

[21] Appl. No.: 558,708

[22] Filed: Apr. 21, 1975

[51] Int. Cl. D8-08

[52] U.S. Cl. D8/239

[58] Field of Search D8/239, 235, 233; 248/74 R

[56]

References Cited

U.S. PATENT DOCUMENTS

D. 136,689 11/1943 Teninty D8/239

Primary Examiner—William N. Wertman

[57]

CLAIM

The ornamental design for a curtain rod bracket, as shown.

DESCRIPTION

FIG. 1 is a perspective view of a curtain rod bracket; FIG. 2 is a perspective view of a modified form of the bracket in FIG. 1; and

FIG. 3 is a perspective view of another modified form of the bracket.

The back view is planar and unornamented.

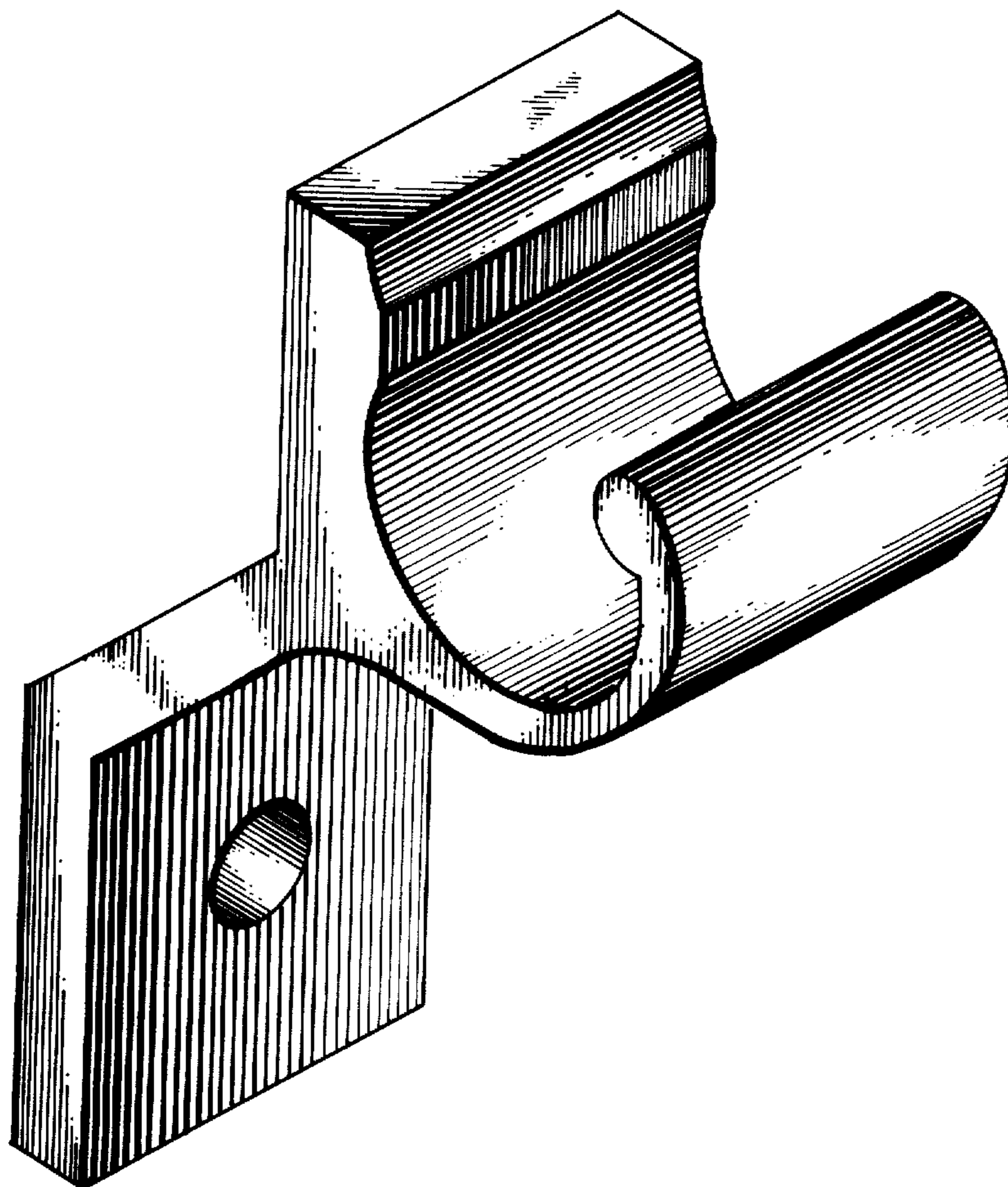


Fig. 1.

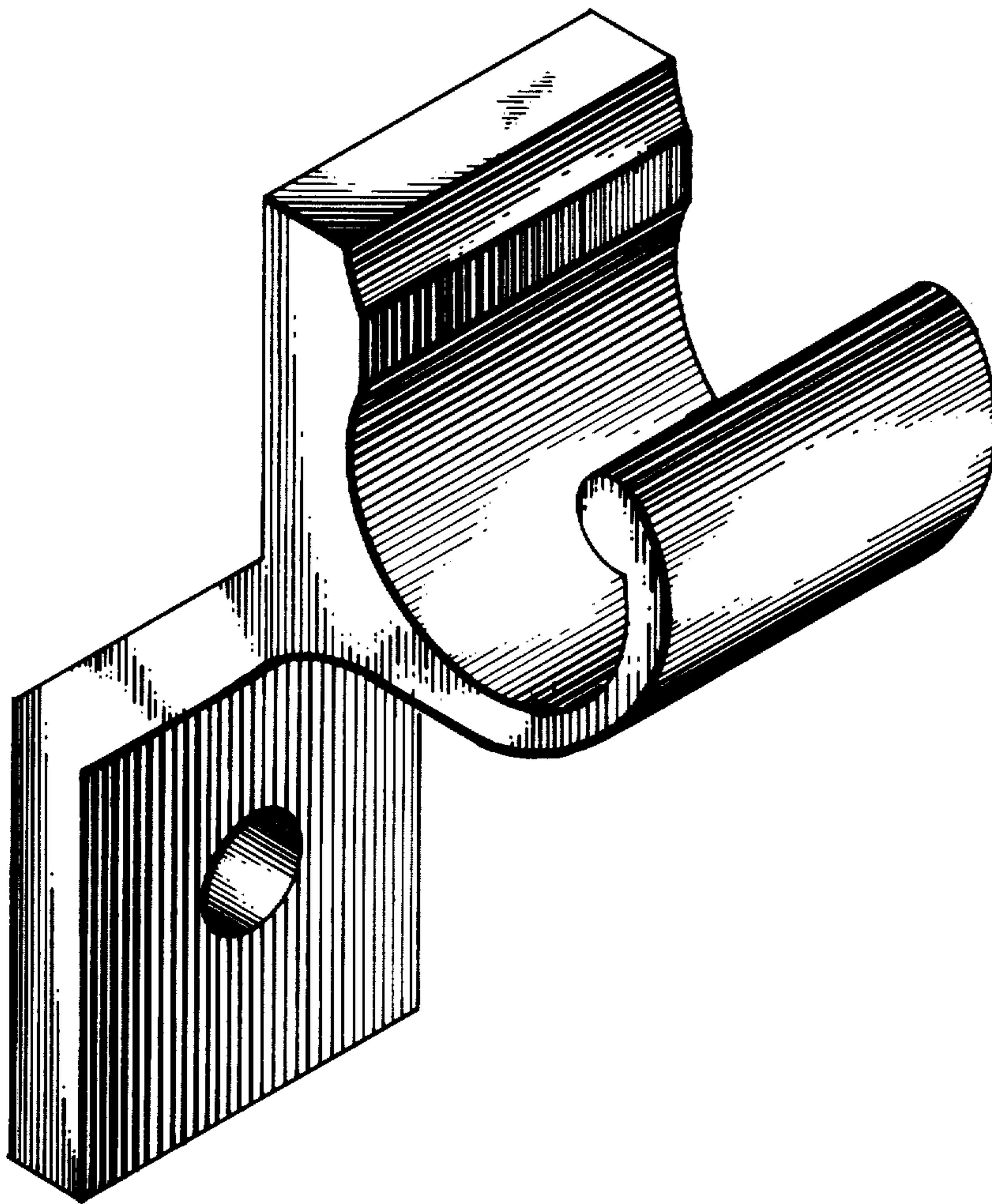


Fig.2.

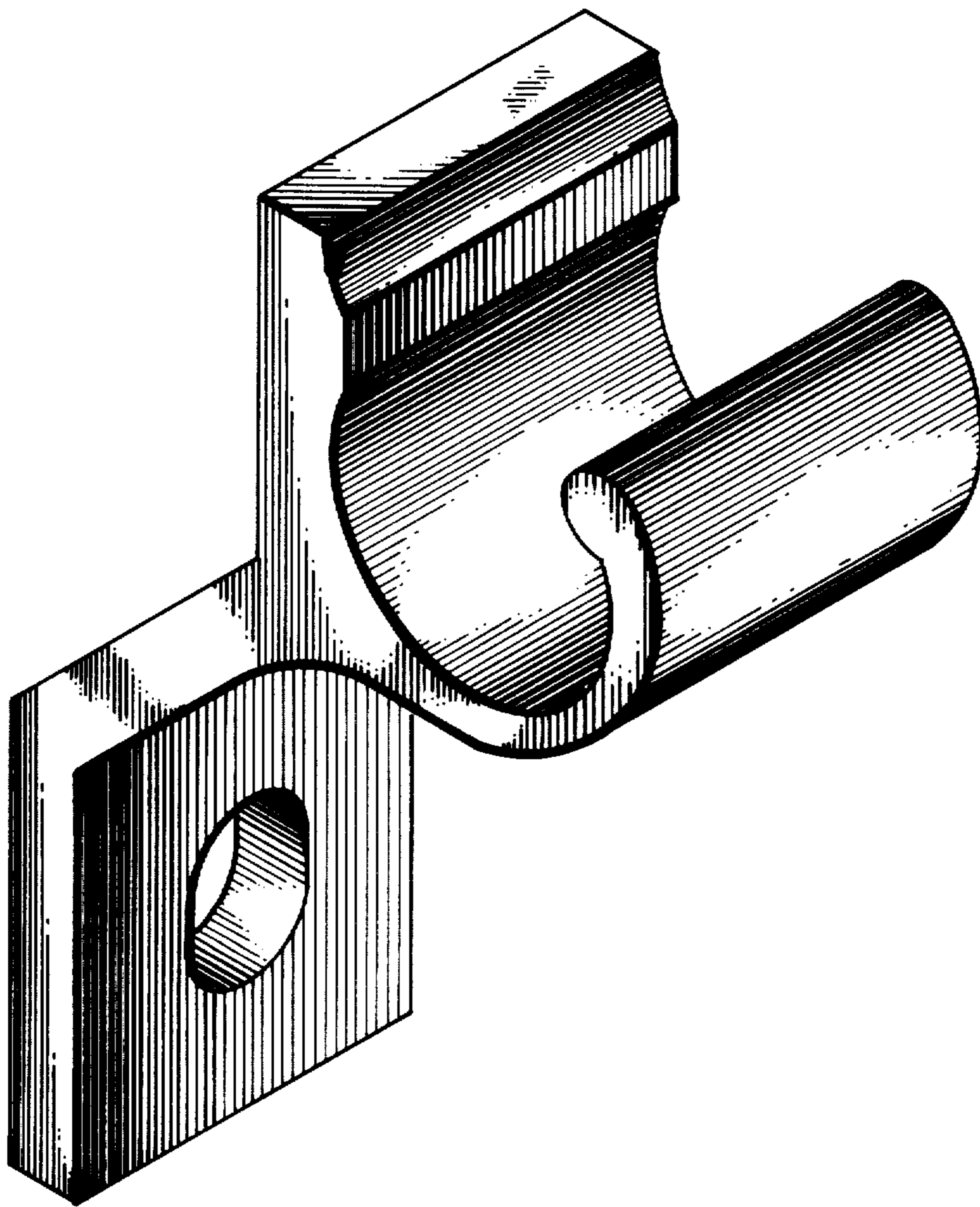


Fig.3.

