

[54] DOOR STOP

[76] Inventor: Anthony M. Sasgen, 1S 174 Ingersoll Lane, Villa Park, Ill. 60181

[**] Term: 14 Years

[21] Appl. No.: 678,915

[22] Filed: Apr. 21, 1976

[51] Int. Cl. D8-07

[52] U.S. Cl. D8/203

[58] Field of Search D6/114; 292/342, 343, 292/DIG. 15, 87; D8/203

[56] References Cited

U.S. PATENT DOCUMENTS

1,664,696	4/1928	Maurer	292/DIG. 15
1,879,664	9/1932	Eaton	292/343
1,955,648	4/1934	Nickler	292/87 X

2,703,728	3/1955	Raber	292/288
D. 52,825	12/1918	Leach	D8/203

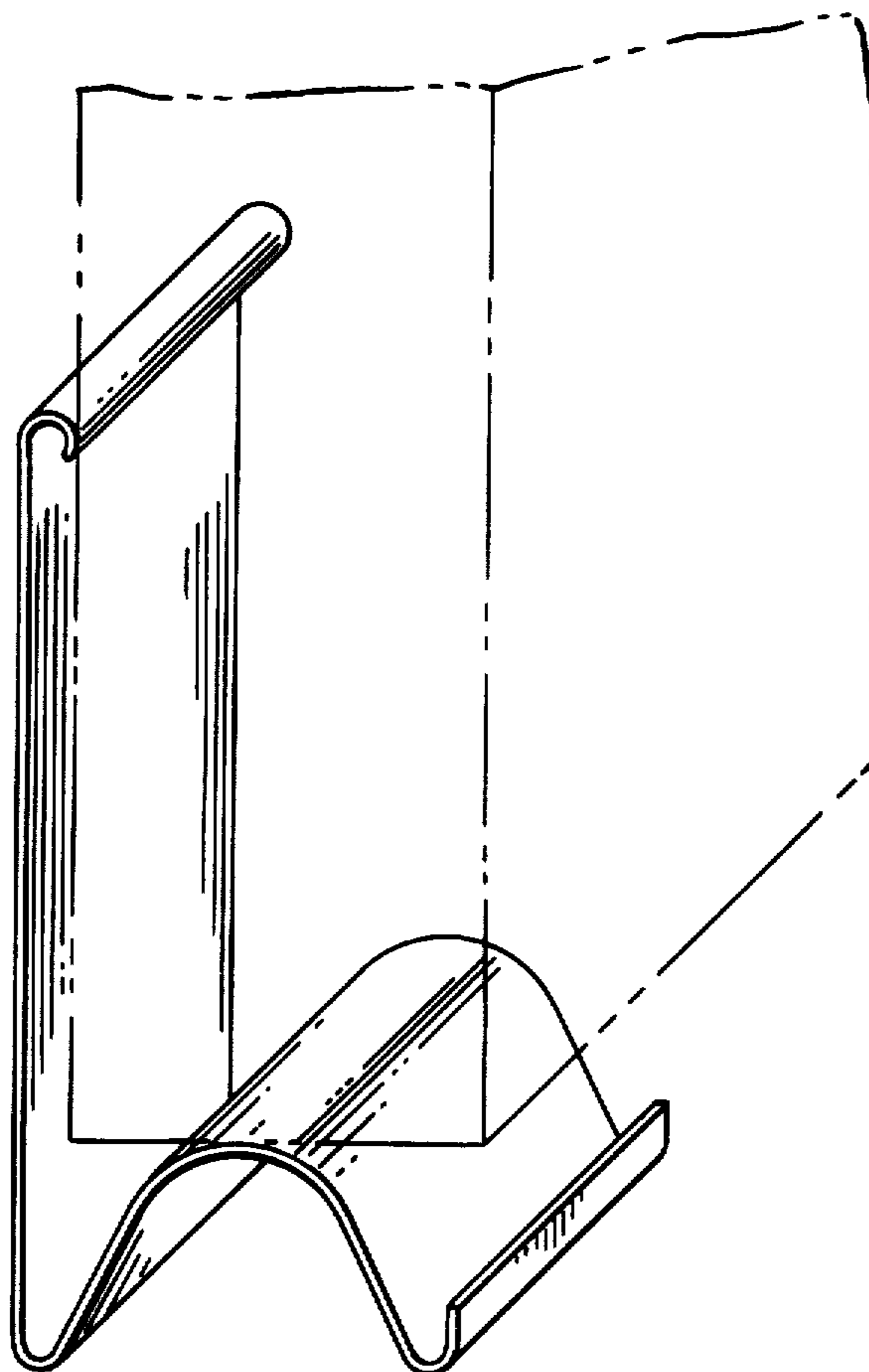
Primary Examiner—William N. Wertman
Attorney, Agent, or Firm—James B. Kinzer

[57] CLAIM

The ornamental design for a door stop, substantially as shown and described.

DESCRIPTION

FIG. 1 is a perspective view of a door stop showing my new design, with a part of the door being shown by phantom lines for illustrative purposes only; FIG. 2 is a rear elevation (at the right hand side) of FIG. 1; FIG. 3 is a front elevation of FIG. 1; and FIG. 4 is a top plan view.



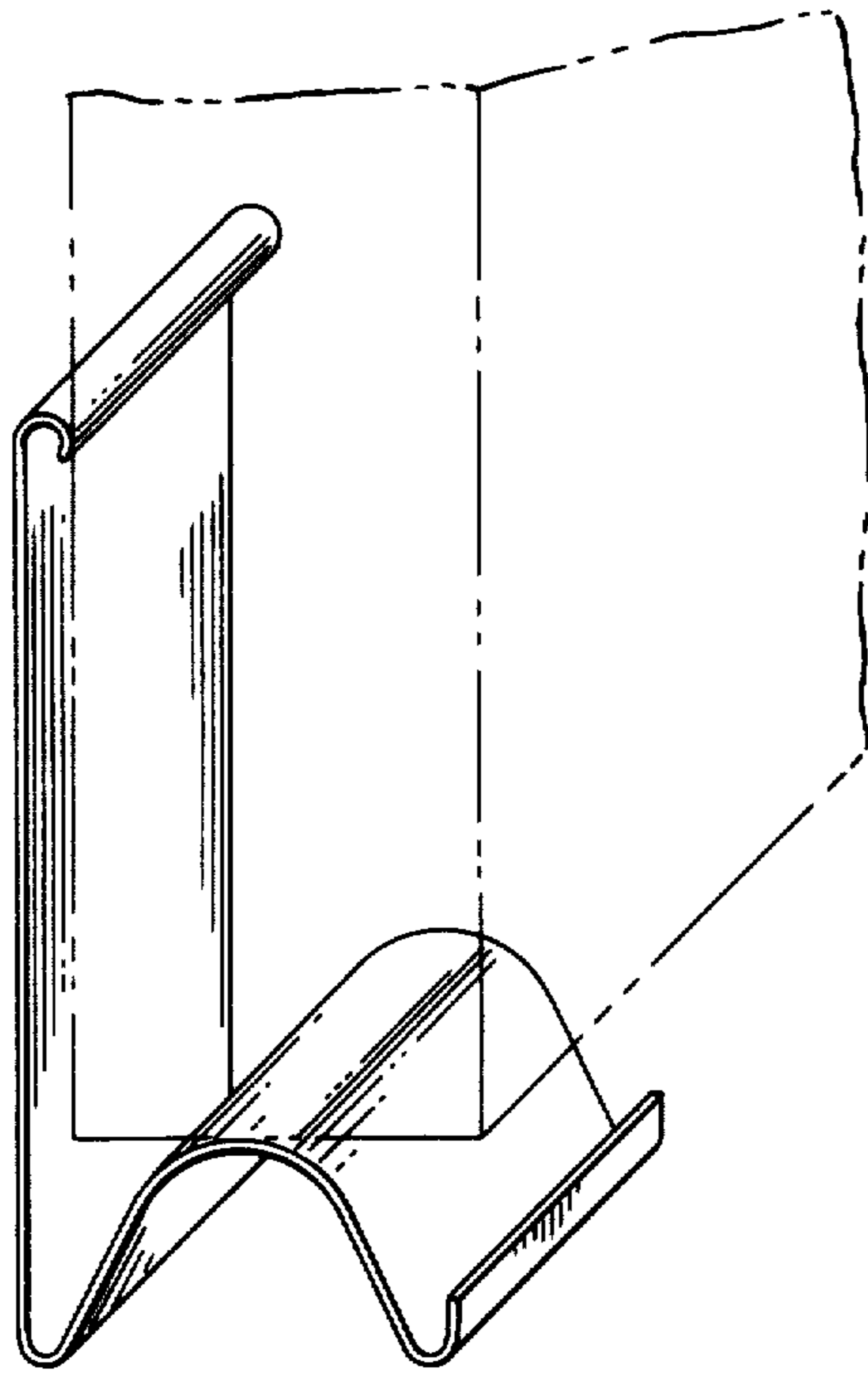


fig. 1.

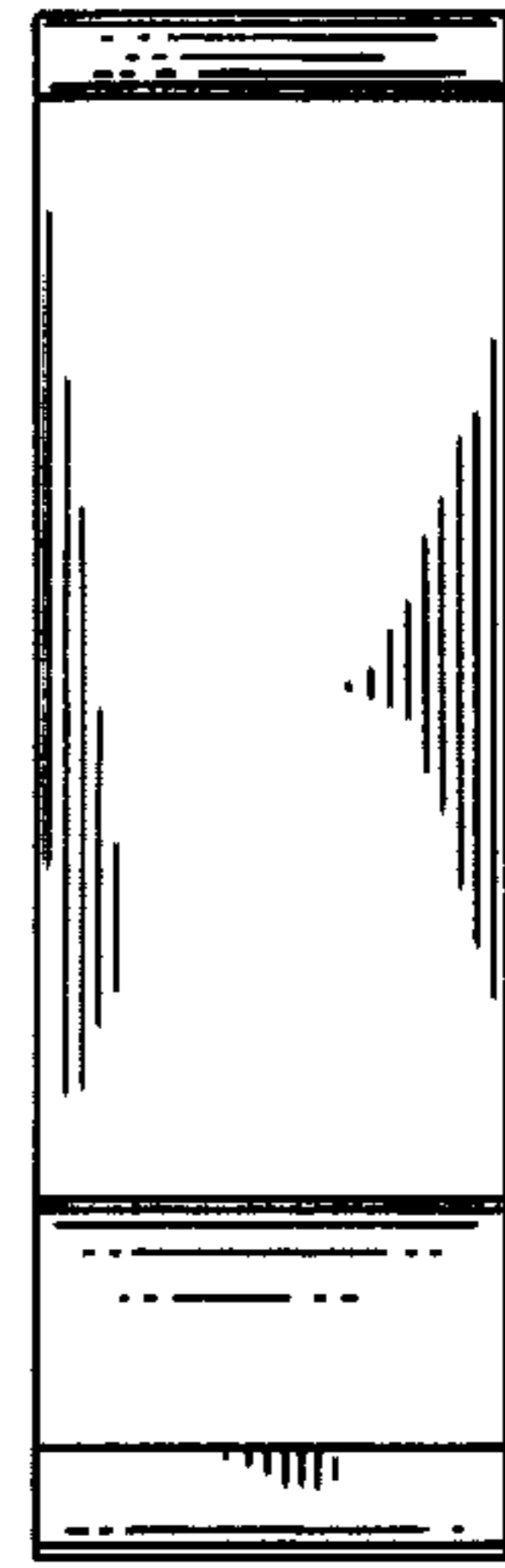


fig. 2.

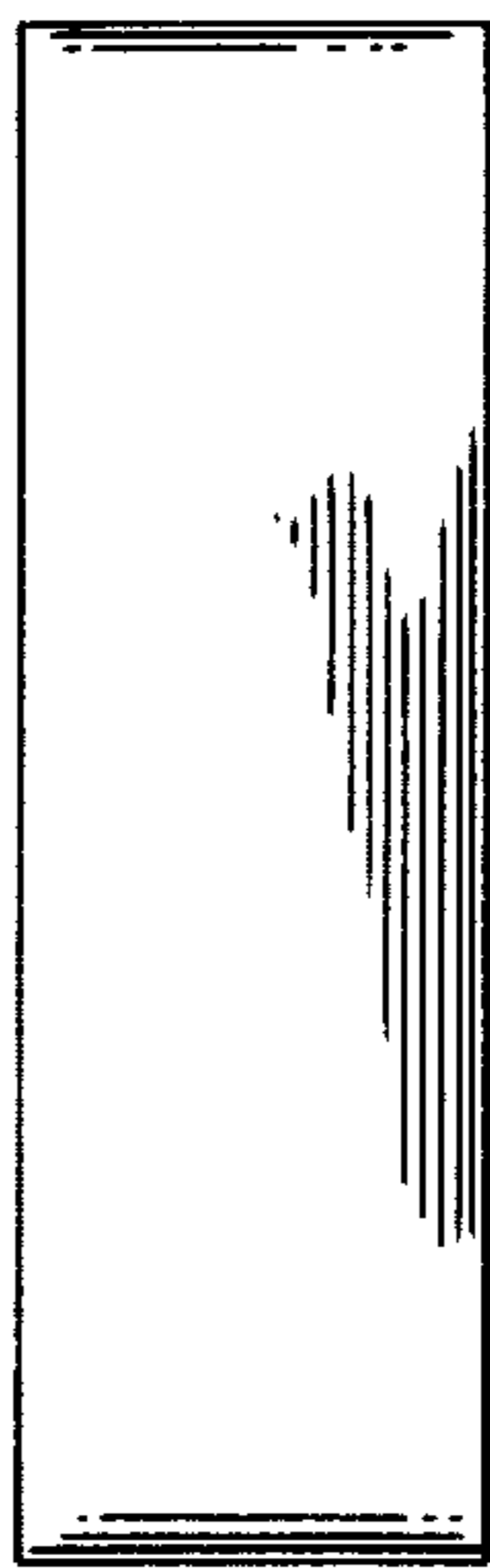


fig. 3.

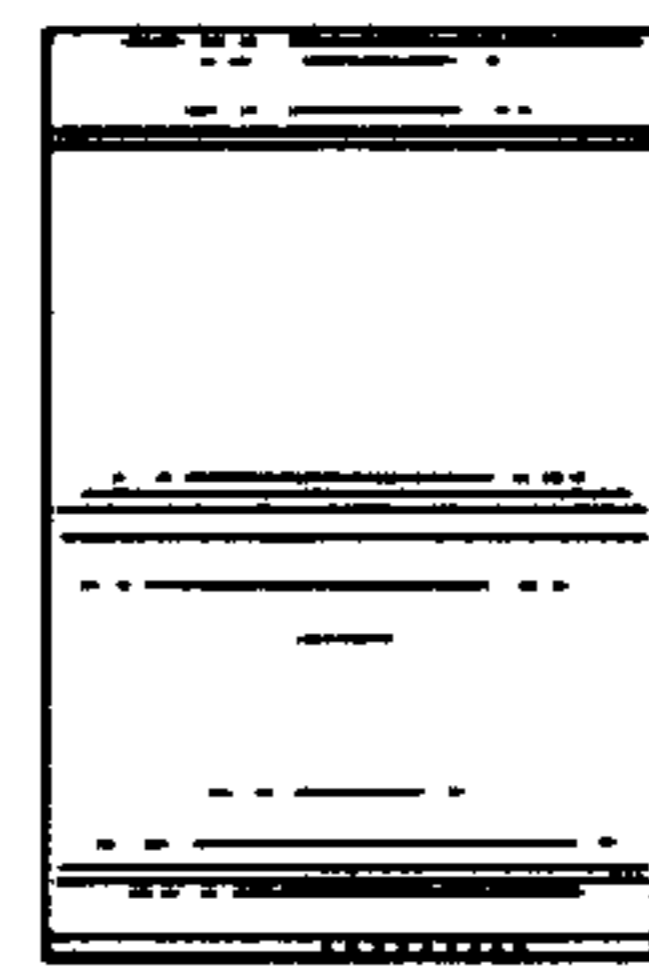


fig. 4.