

[54] **HAND GRIP**
[76] Inventor: **Preston L. Petty**, 403 N. Main St.,
Newberg, Oreg. 97132
[**] Term: **14 Years**
[21] Appl. No.: **656,724**
[22] Filed: **Feb. 9, 1976**
[51] Int. Cl. **D8-06**
[52] U.S. Cl. **D8/138**
[58] Field of Search **D8/138**

[56] **References Cited**
U.S. PATENT DOCUMENTS
2,666,340 1/1954 Hunt D8/138 UX
D. 178,977 10/1956 Williamson D8/138
D. 185,613 6/1959 Price D8/138
D. 198,197 5/1964 Utz et al. D8/138

D. 222,213 10/1971 Rumaner D8/138

Primary Examiner—William N. Wertman
Attorney, Agent, or Firm—Adrian J. La Rue

[57] **CLAIM**

The ornamental design for hand grip, as shown.

DESCRIPTION

FIG. 1 is a perspective view of the hand grip;
FIG. 2 is another perspective view thereof;
FIG. 3 is a top plan view thereof;
FIG. 4 is an end elevational view looking from the right
of FIG. 3;
FIG. 5 is a side elevational view thereof;
FIG. 6 is an end elevational view looking from the left
of FIG. 5; and
FIG. 7 is a bottom plan view thereof.



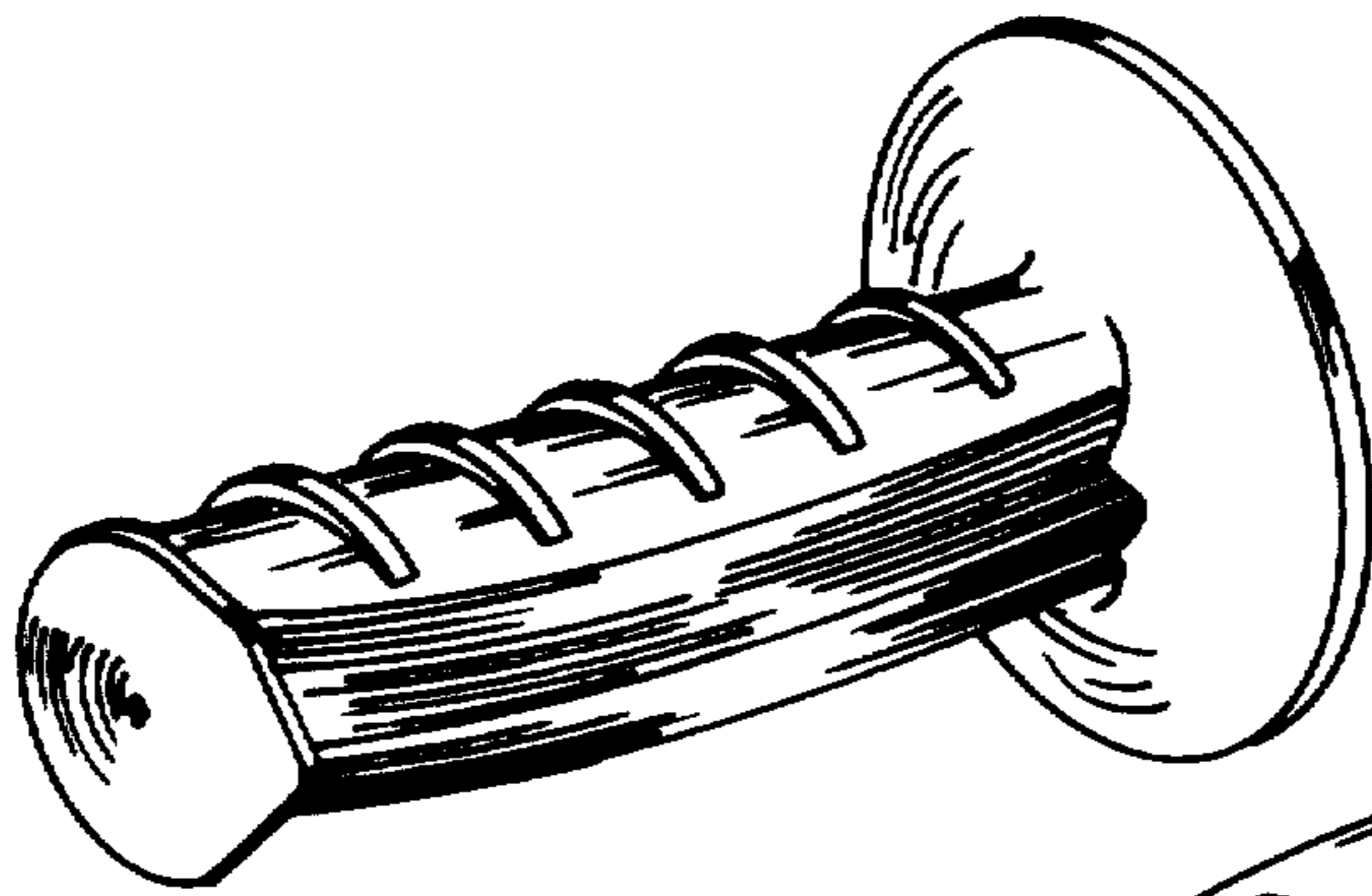


Fig-1

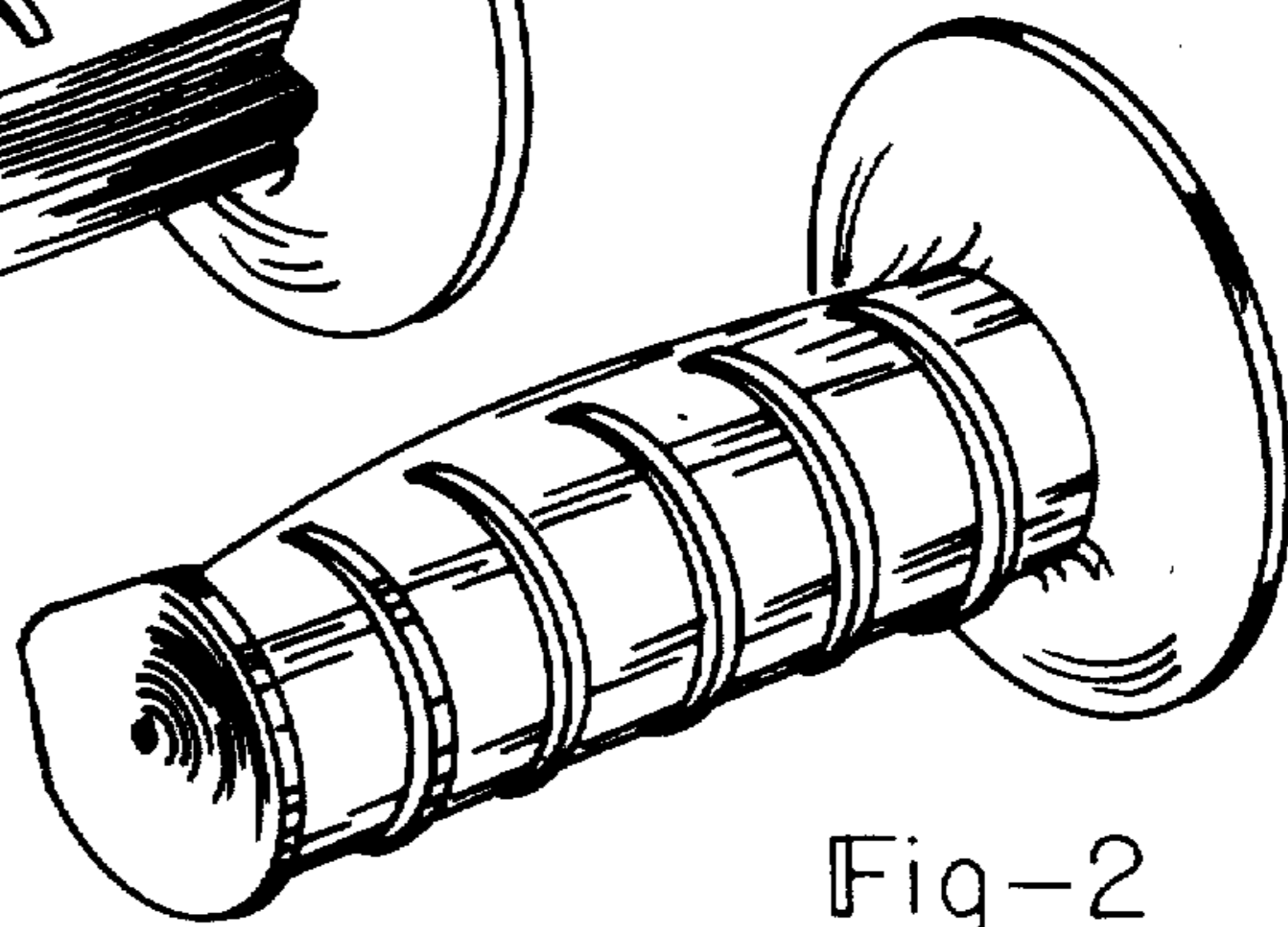


Fig-2

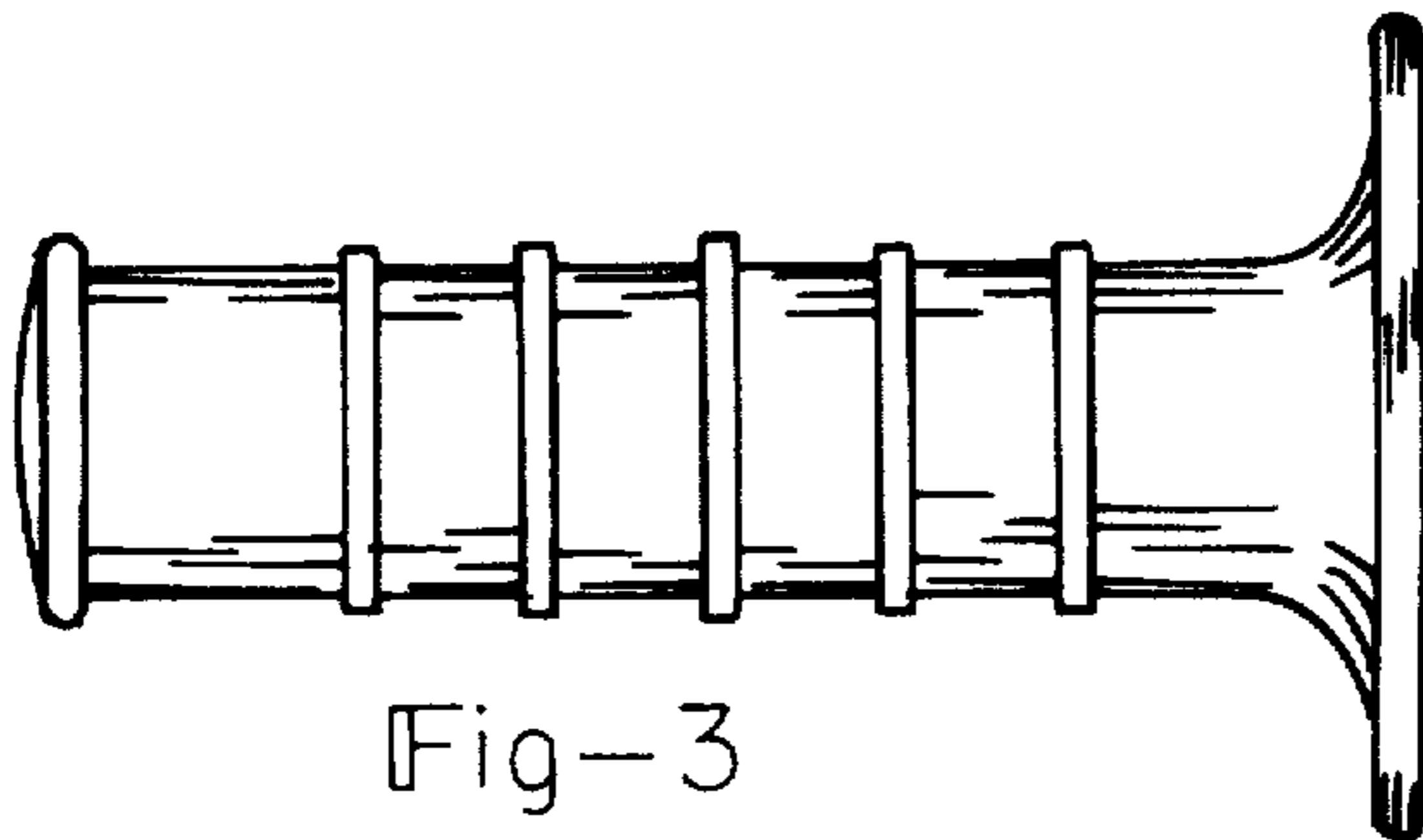


Fig-3

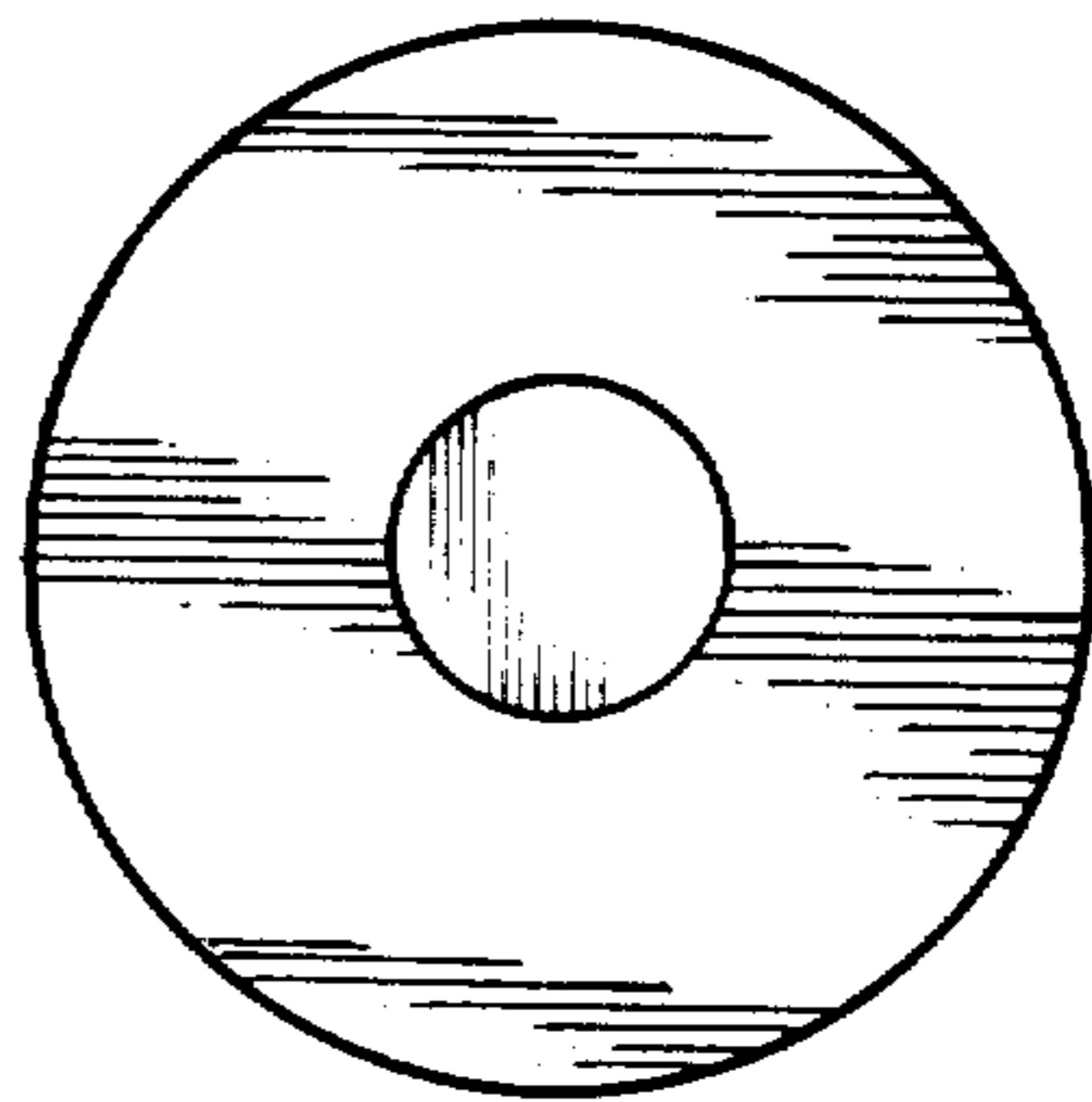


Fig-4

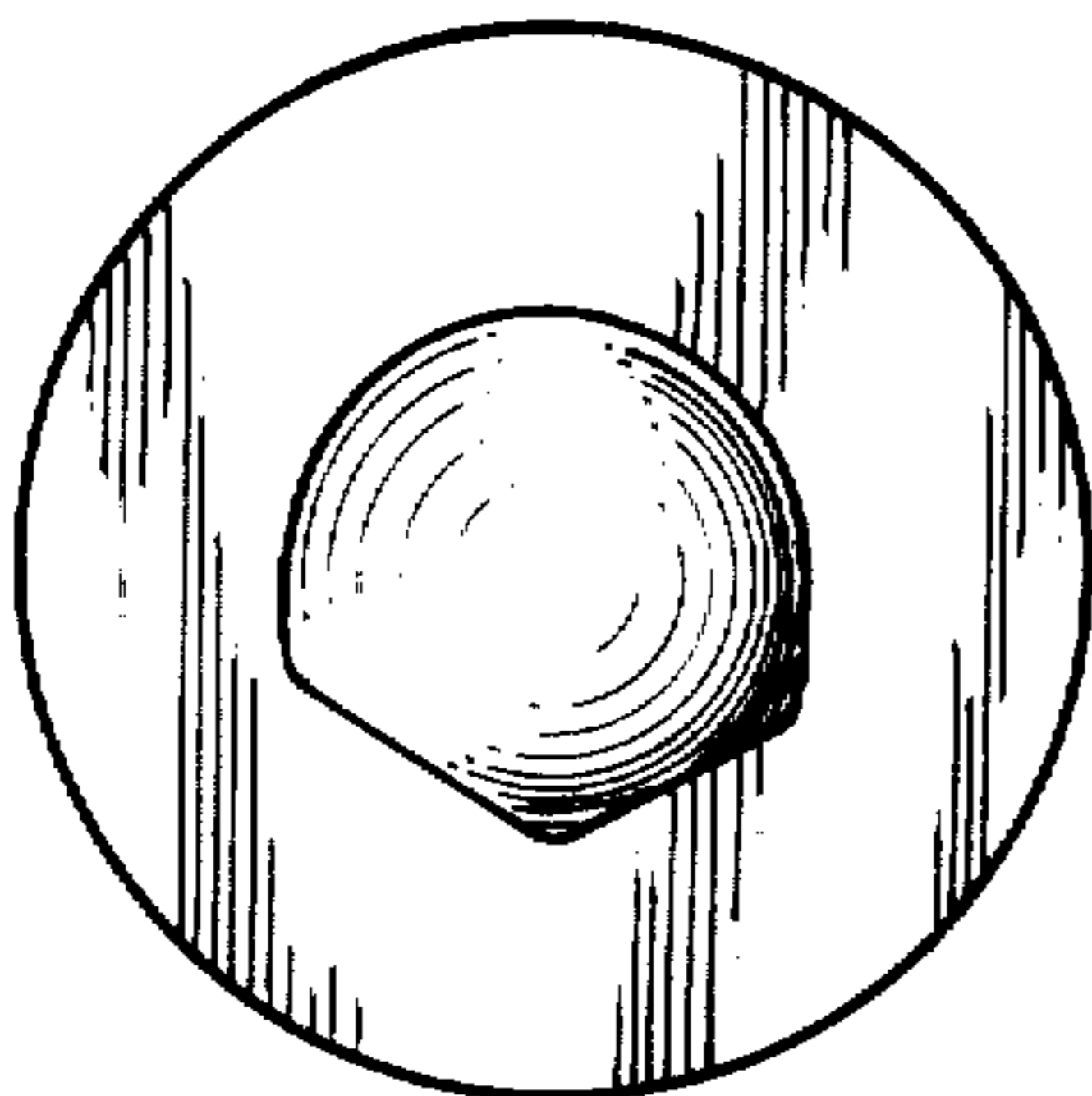


Fig-6

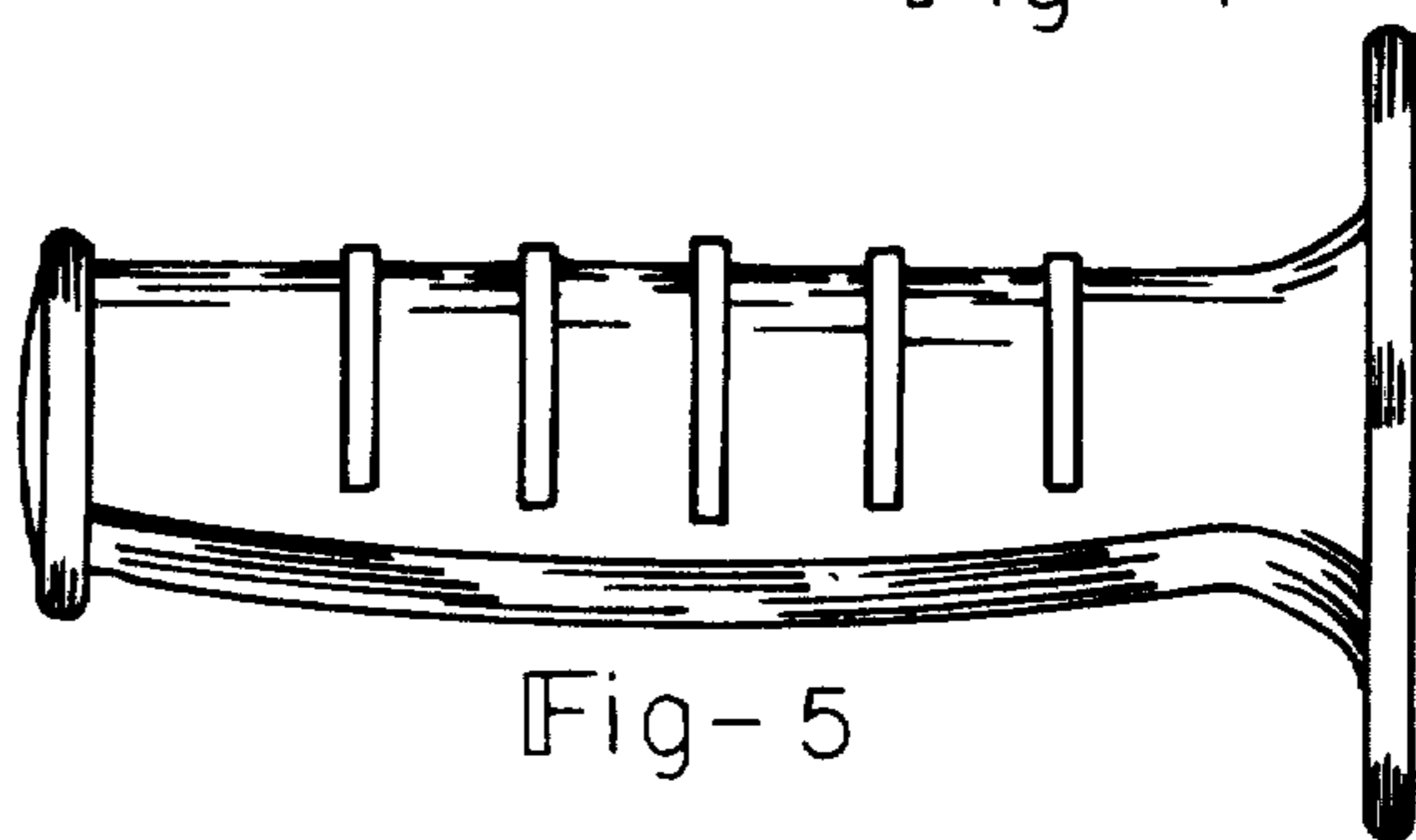


Fig-5

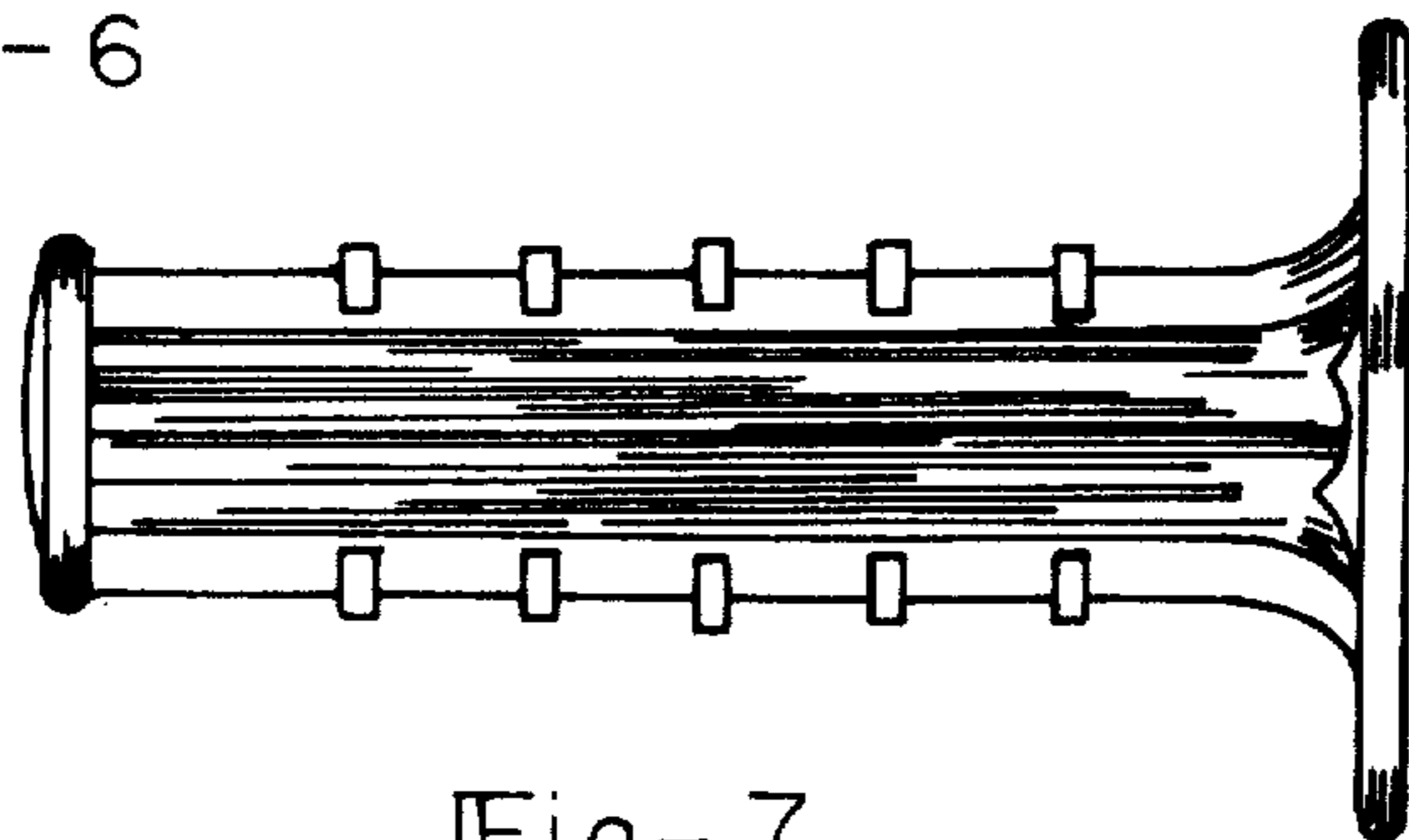


Fig-7