

[54] CASING FOR GRINDER TOOLS

[75] Inventors: Elwin H. Flickenstein, Alden; Walter N. Welsch, Tonawanda, both of N.Y.

[73] Assignee: Dynabrade, Inc., N. Tonawanda, N.Y.

[**] Term: 14 Years

[21] Appl. No.: 614,211

[22] Filed: Sept. 17, 1975

[51] Int. Cl. D8-05

[52] U.S. Cl. D8/70

[58] Field of Search D8/62, 70; 51/268, 272

[56] References Cited

U.S. PATENT DOCUMENTS

3,466,811	9/1969	Suddarth	51/268 X
D. 159,723	8/1950	Glade	D8/70
D. 193,102	6/1962	De Groff	D8/62

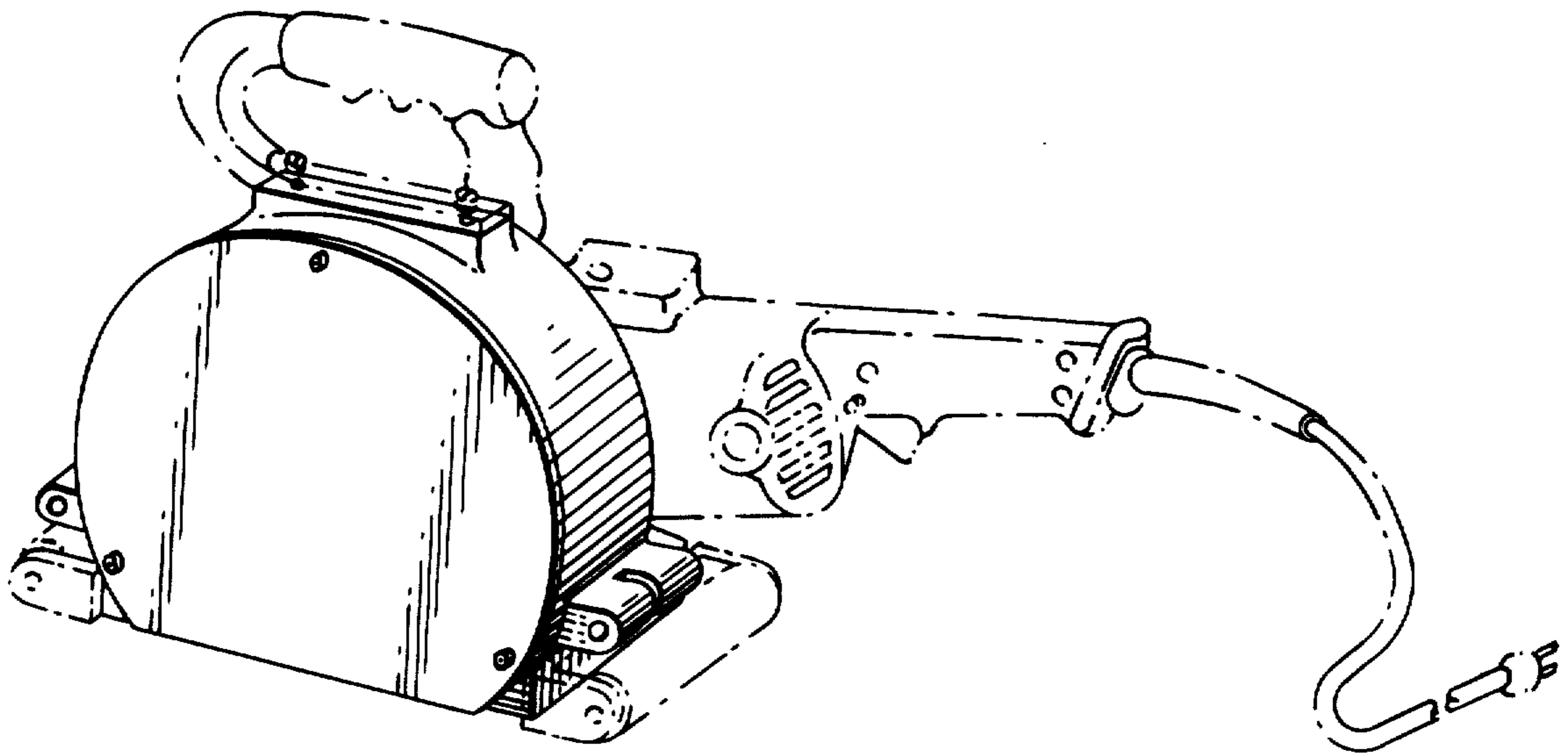
Primary Examiner—Alan P. Douglas
Attorney, Agent, or Firm—John B. Bean

[57] CLAIM

The ornamental design for a casing for grinder tools, as shown and described.

DESCRIPTION

FIG. 1 is a front perspective view of a casing showing our new design with adjacent parts of a grinder tool shown in broken line for illustrative purposes only; FIG. 2 is a front elevational view thereof; FIG. 3 is a rear elevational view thereof; FIG. 4 is a top plan view thereof; FIG. 5 is a bottom plan view thereof; FIG. 6 is a side elevational view thereof, the opposite side being the same as the side shown; FIG. 7 is a rear elevational view of a casing showing a modified form of our new design; FIG. 8 is a side elevational view of the modified form, the opposite side being the same as the side shown; FIG. 9 is a top plan view of the modified form; and FIG. 10 is a bottom plan view of the modified form. The non-illustrated front elevational view of the modified form of our new design is identical to that shown in FIG. 2. The interior of the casing, as viewed through the casing bottom wall opening shown in FIGS. 6 and 10 and through the rear wall opening viewed in FIGS. 3 and 7, forms no part of the present invention in that it is blocked from view during use of the casing.



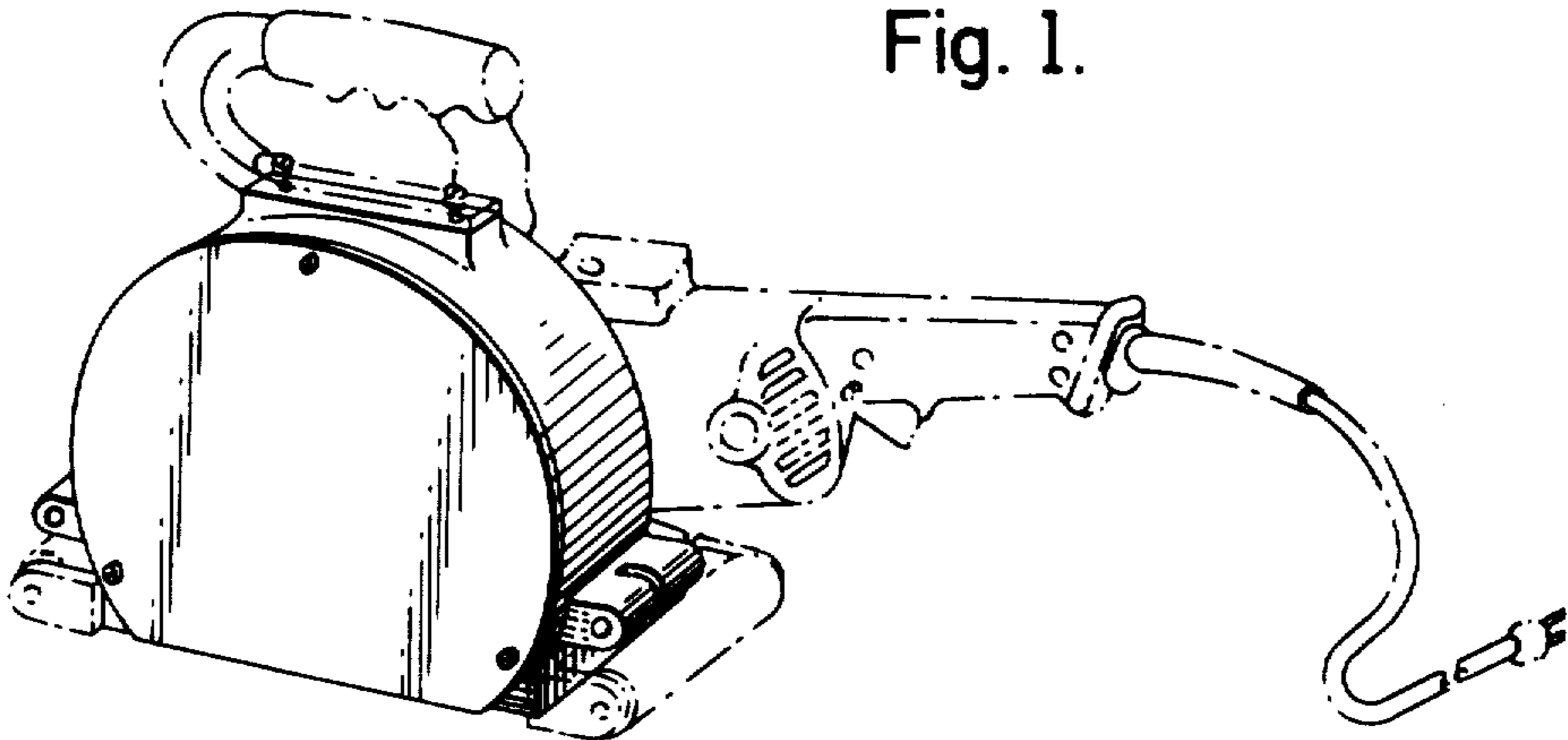


Fig. 1.

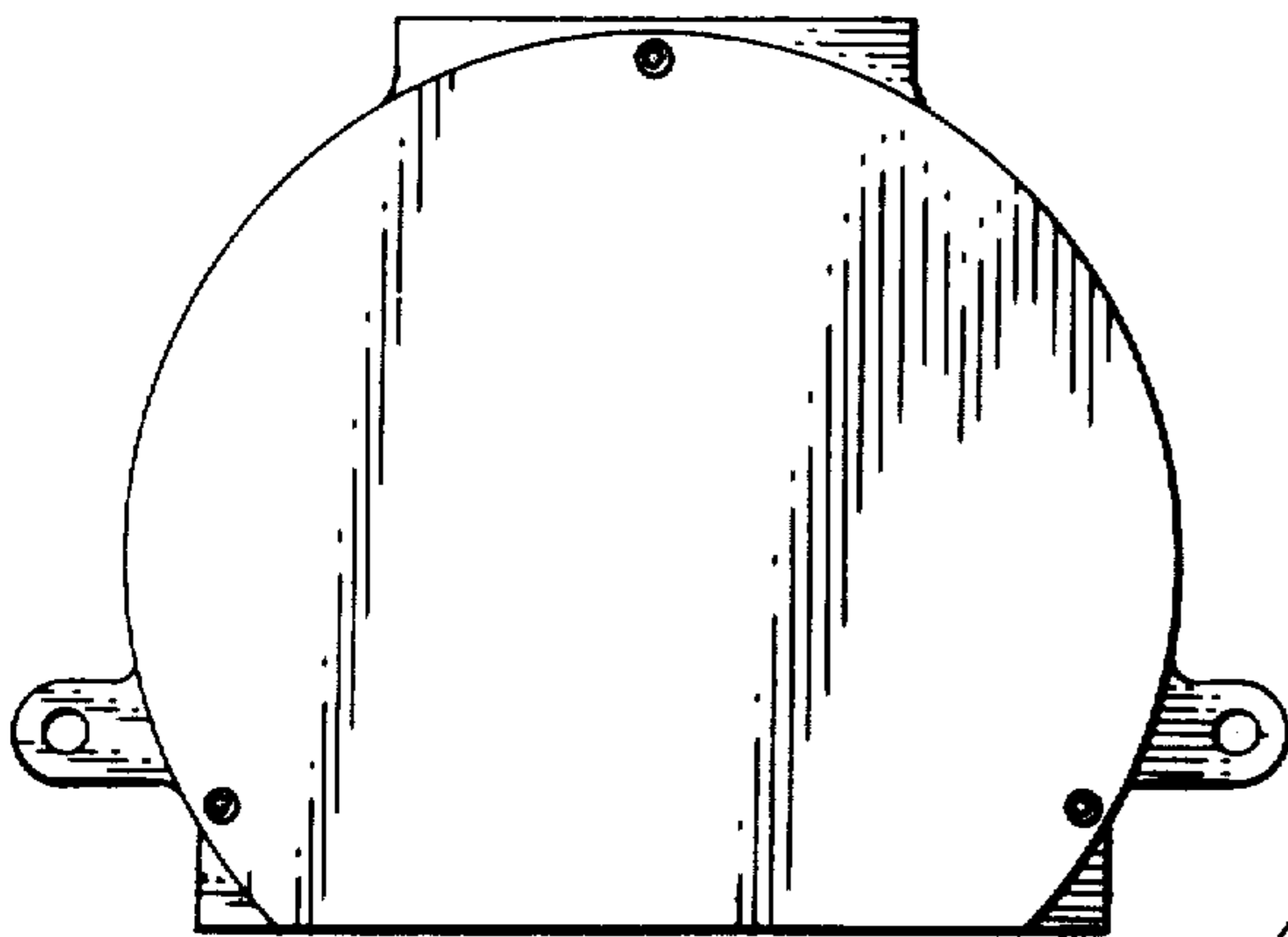


Fig. 2.

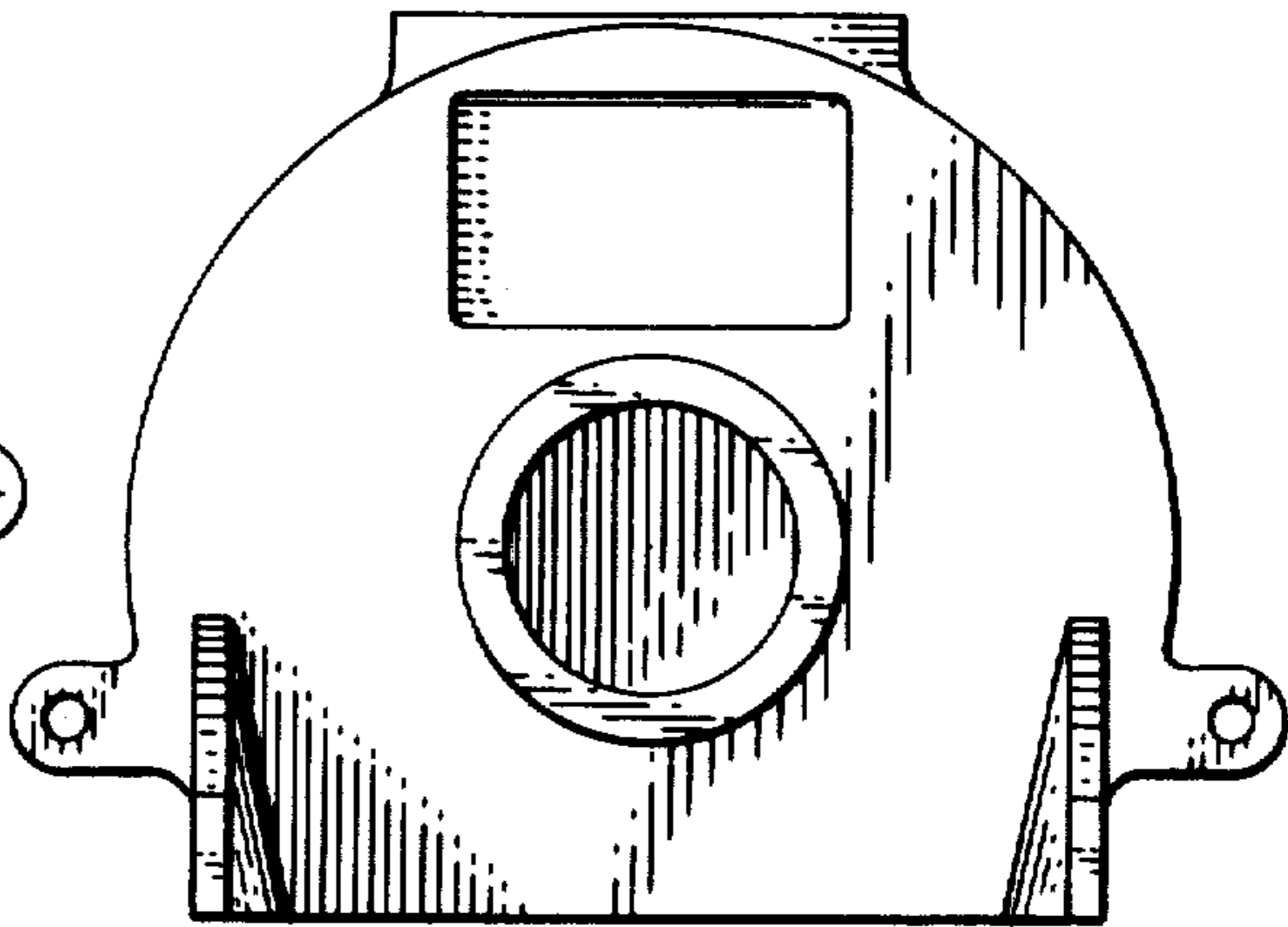


Fig. 3.

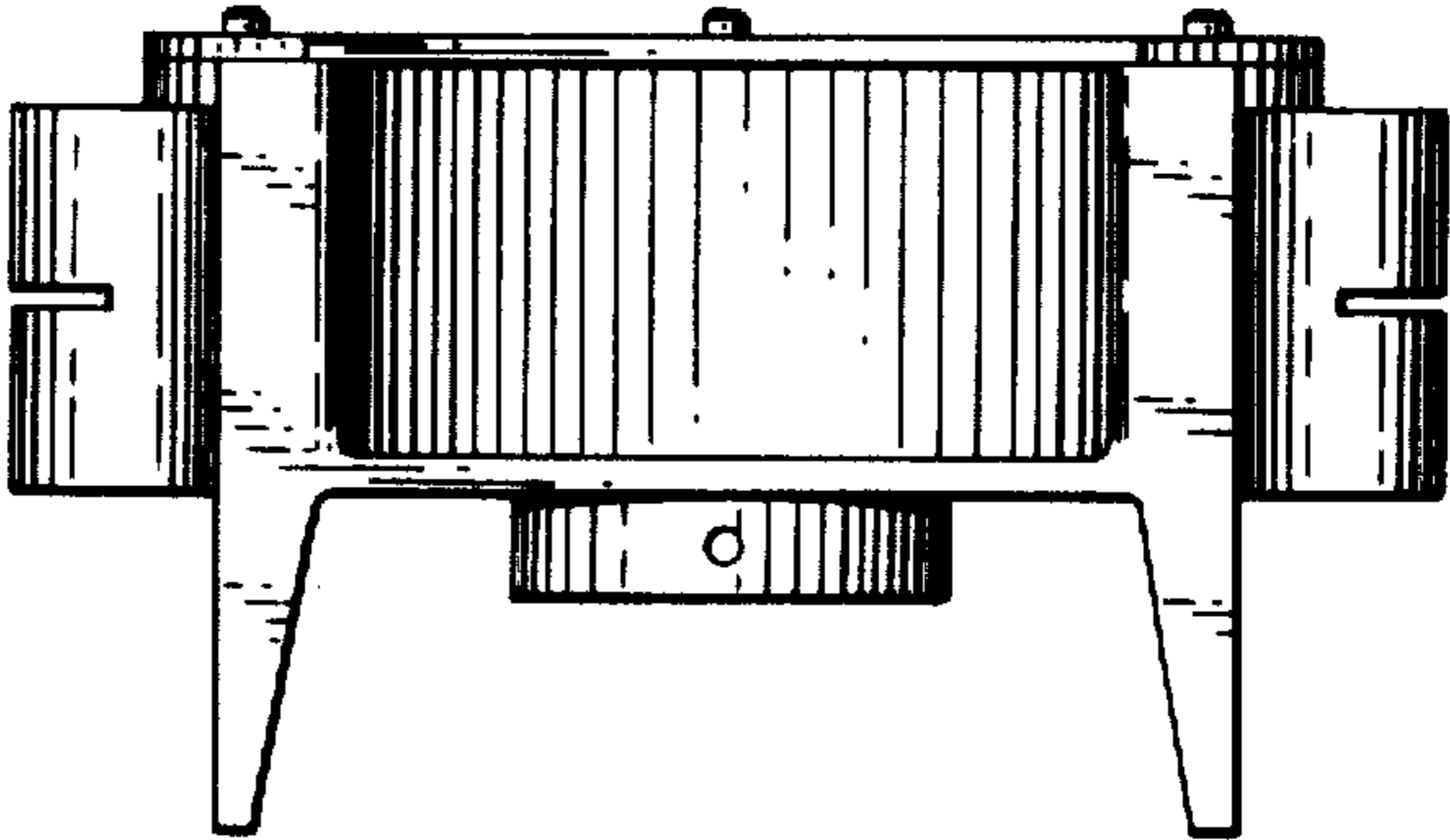


Fig. 4.

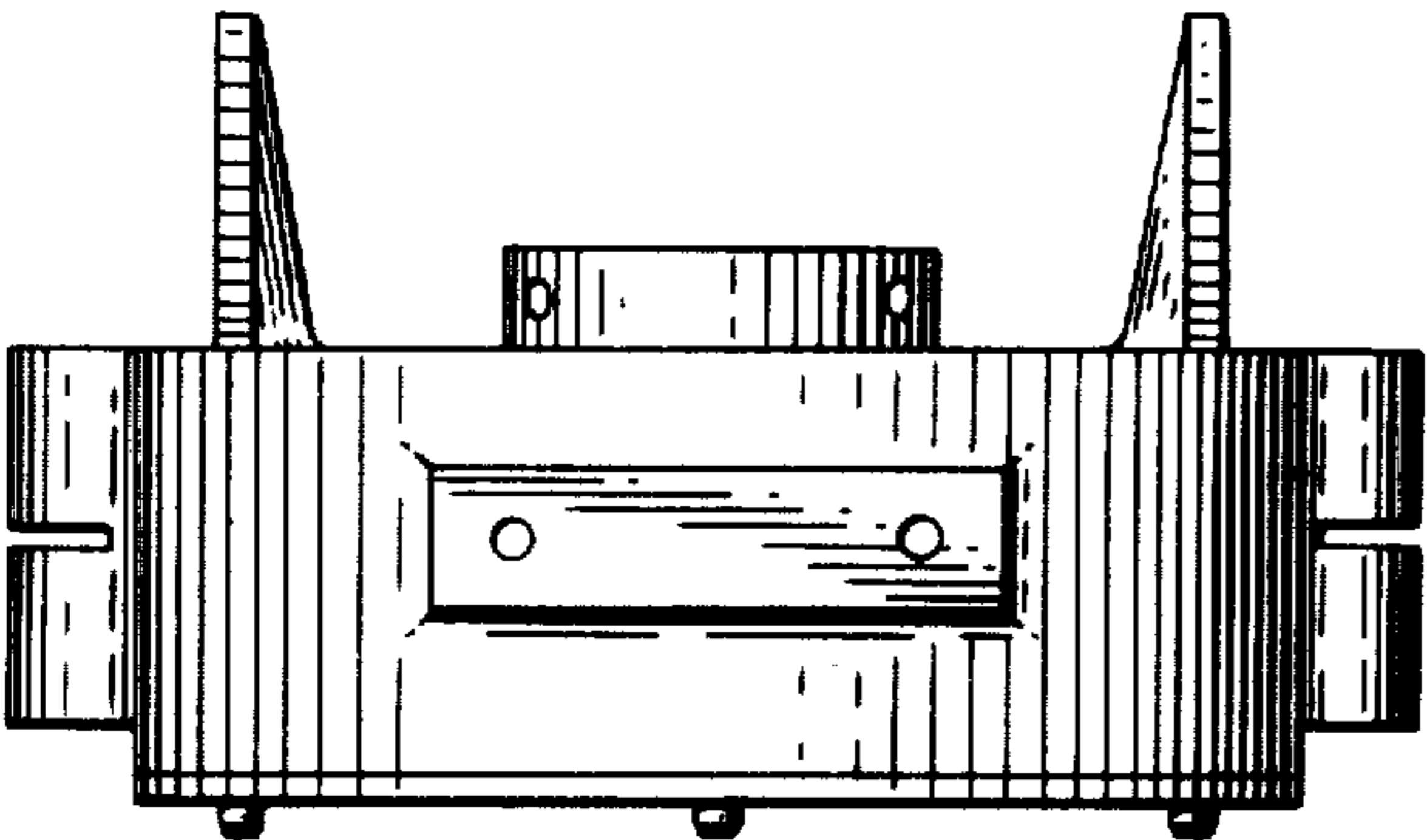


Fig. 5.

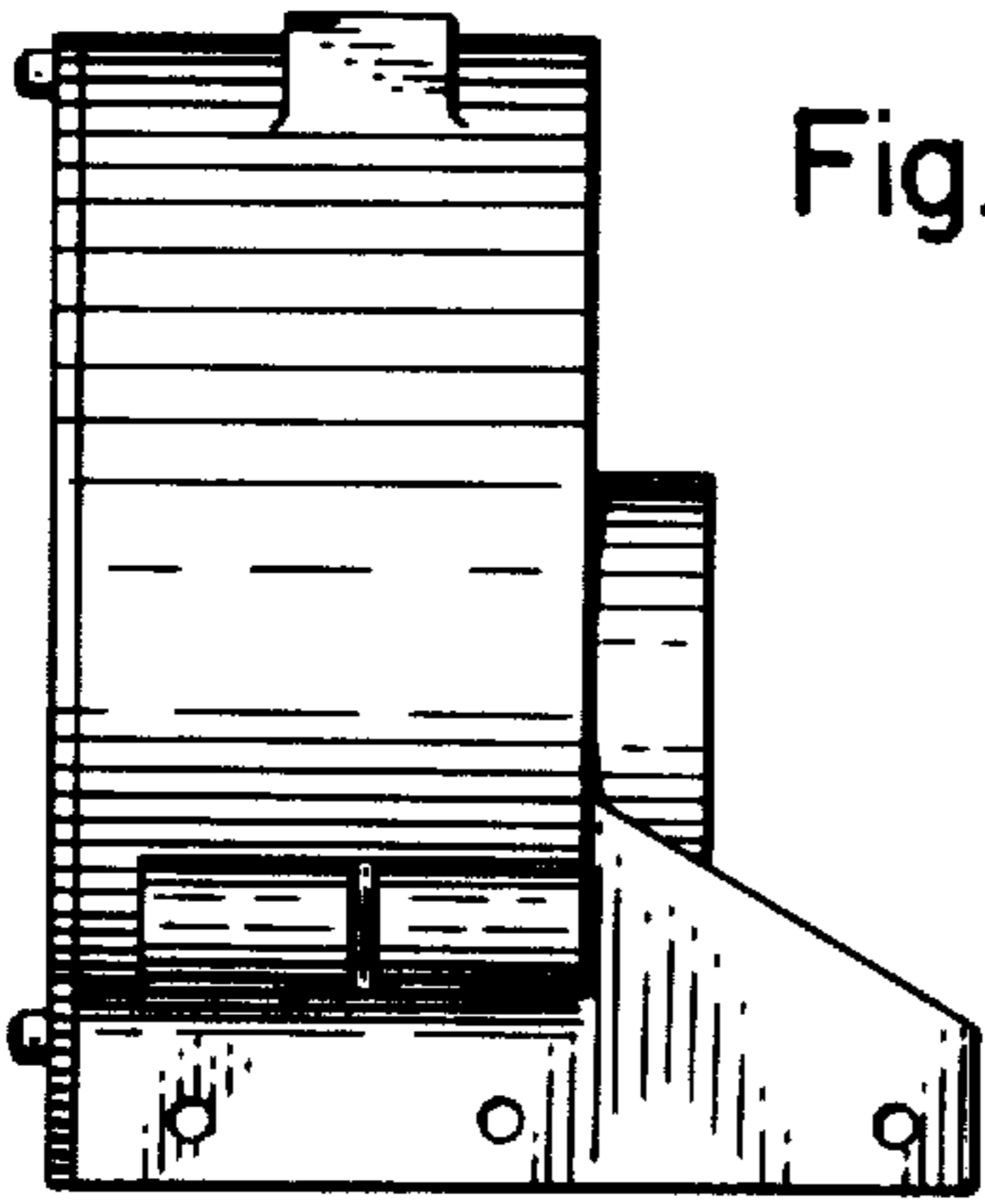


Fig. 6.

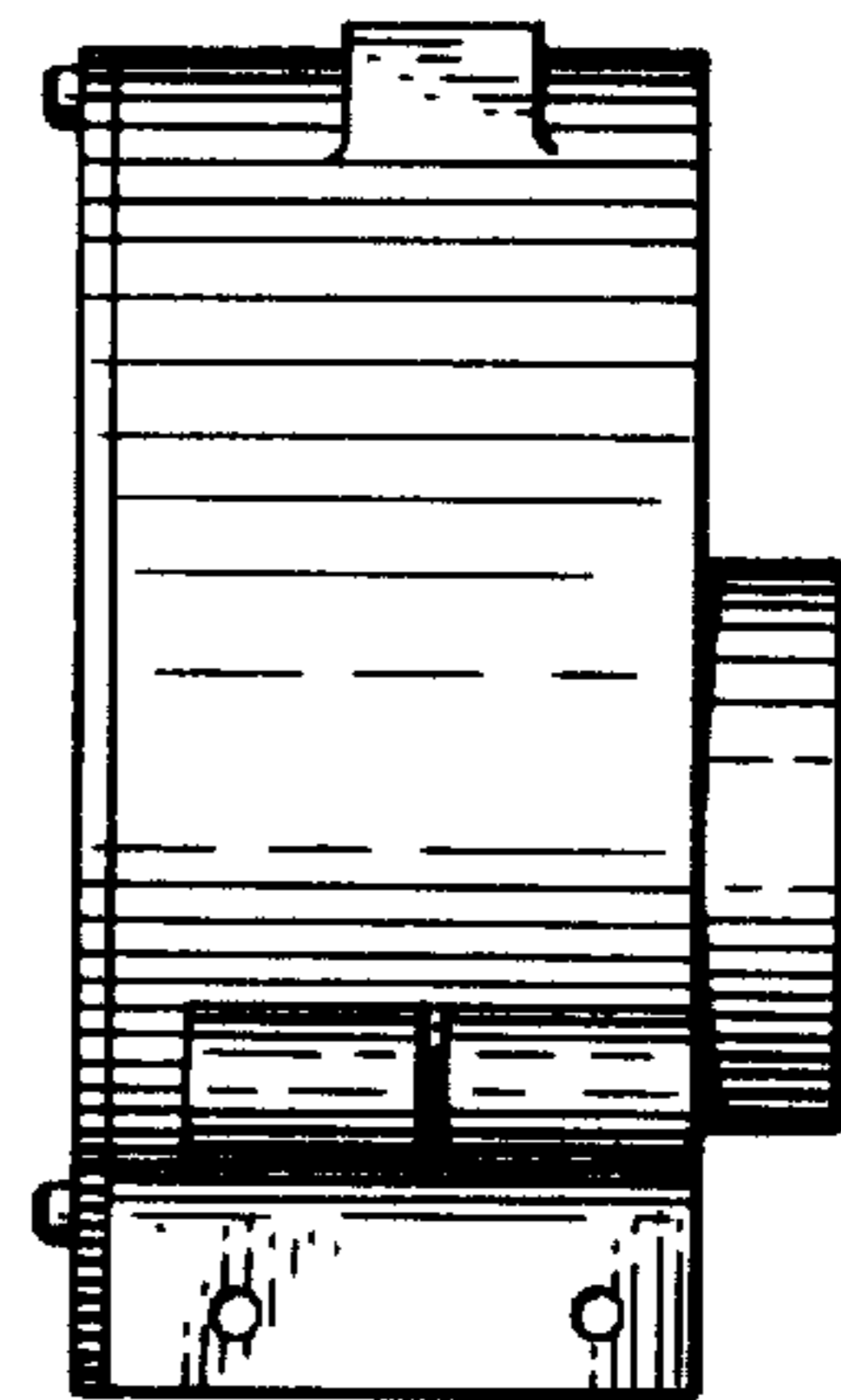


Fig. 8.

Fig. 7.

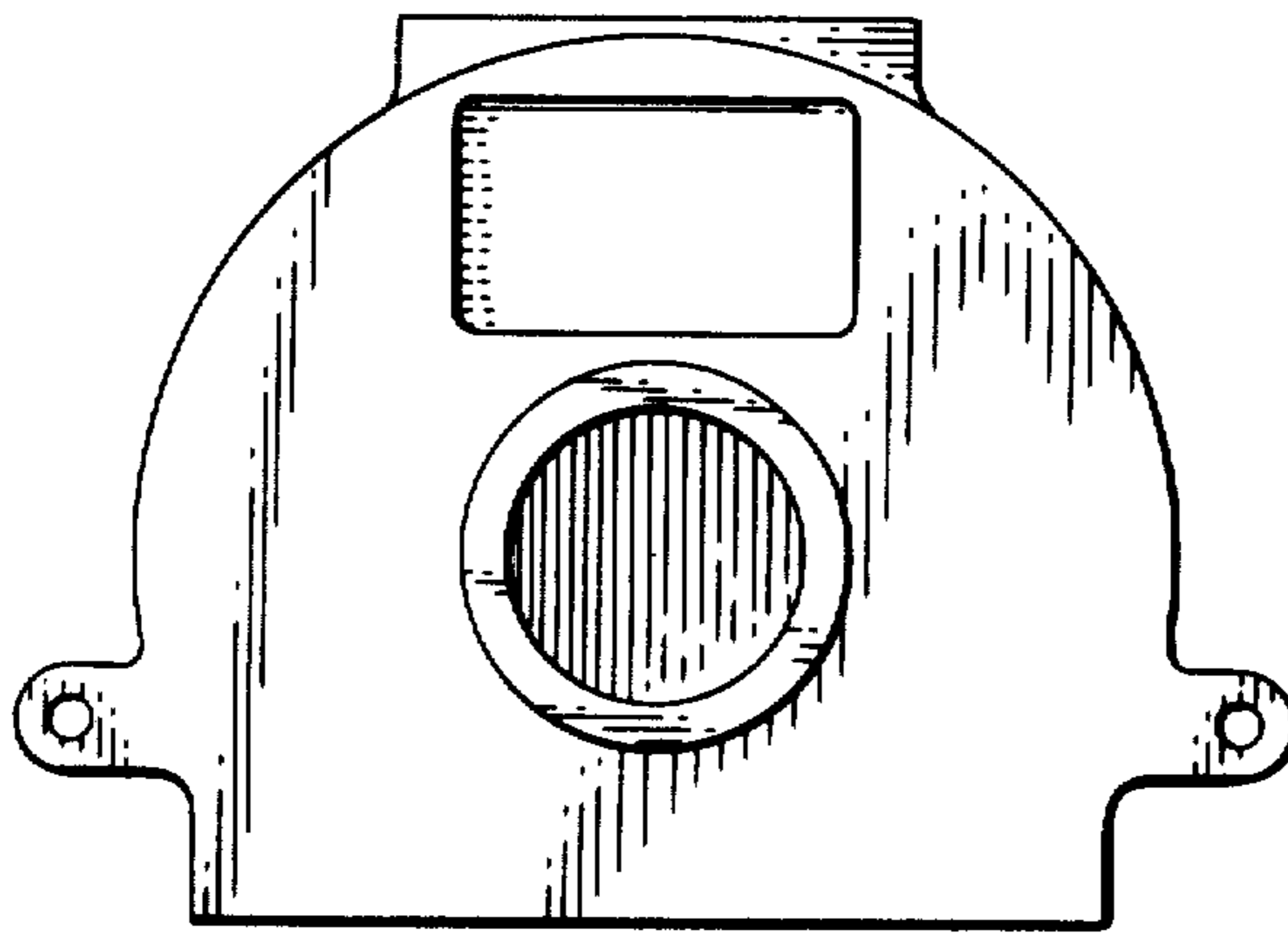


Fig. 9.

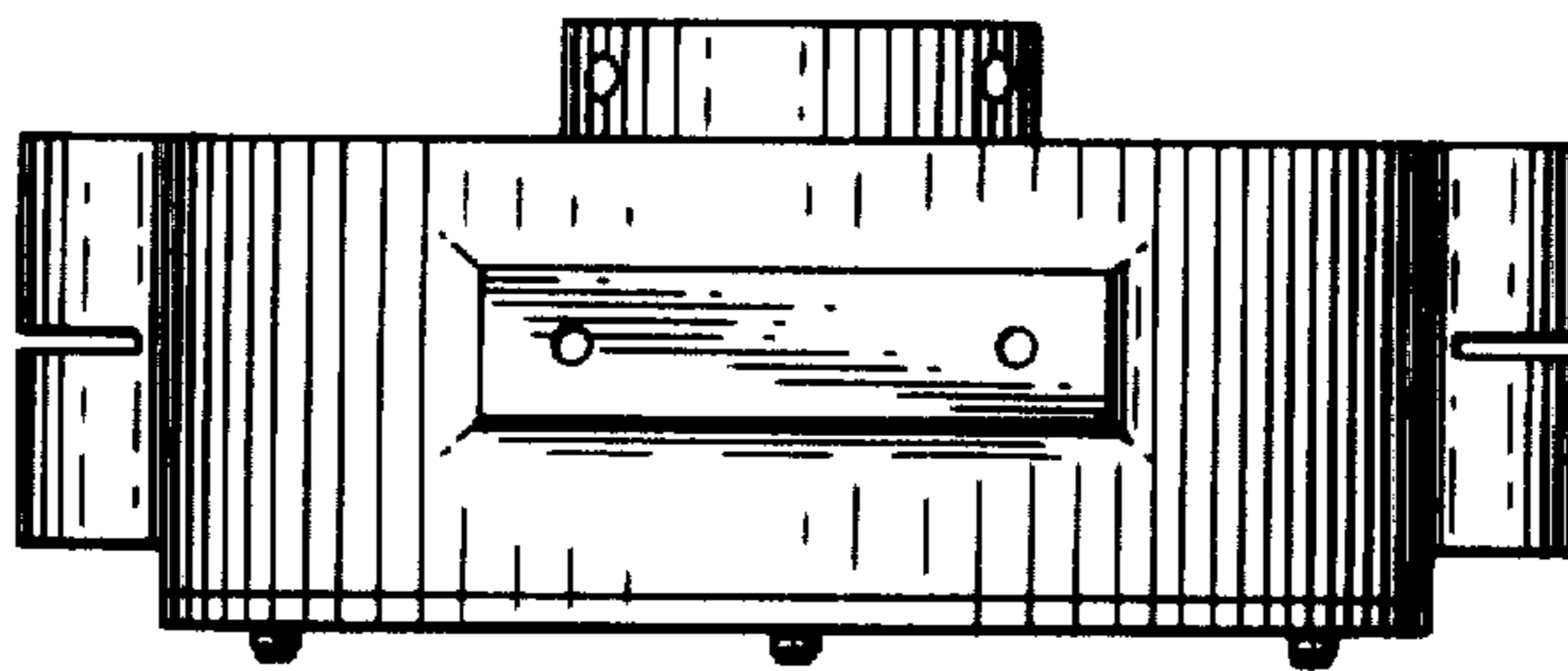


Fig. 10.

