

[54] **ADJUSTABLE STRAP WRENCH**  
[76] Inventor: **Roger R. Craig**, 21217 W. Bellini Drive, Topanga, Calif. 90290  
[\*\*] Term: **14 Years**  
[21] Appl. No.: **637,296**  
[22] Filed: **Dec. 3, 1975**  
[51] Int. Cl. .... **D8-05**  
[52] U.S. Cl. .... **D8/22**  
[58] Field of Search ..... **D8/22, 21; 81/64, 3.43**

[56] **References Cited**  
**U.S. PATENT DOCUMENTS**  
1,569,148 1/1926 Stainbrook ..... 81/64 X  
D. 207,555 5/1967 Liljemark ..... D8/22

*Primary Examiner*—Alan P. Douglas  
*Attorney, Agent, or Firm*—Roger A. Marrs

[57] **CLAIM**  
The ornamental design for an adjustable strap wrench, substantially as shown and described.

**DESCRIPTION**  
FIG. 1 is a perspective view of my new design for an adjustable strap wrench;  
FIG. 2 is a top plan view thereof;  
FIG. 3 is a rear view thereof;  
FIG. 4 is a bottom view thereof;  
FIG. 5 is an end elevational view thereof; and  
FIG. 6 is an elevational view of the opposite end.

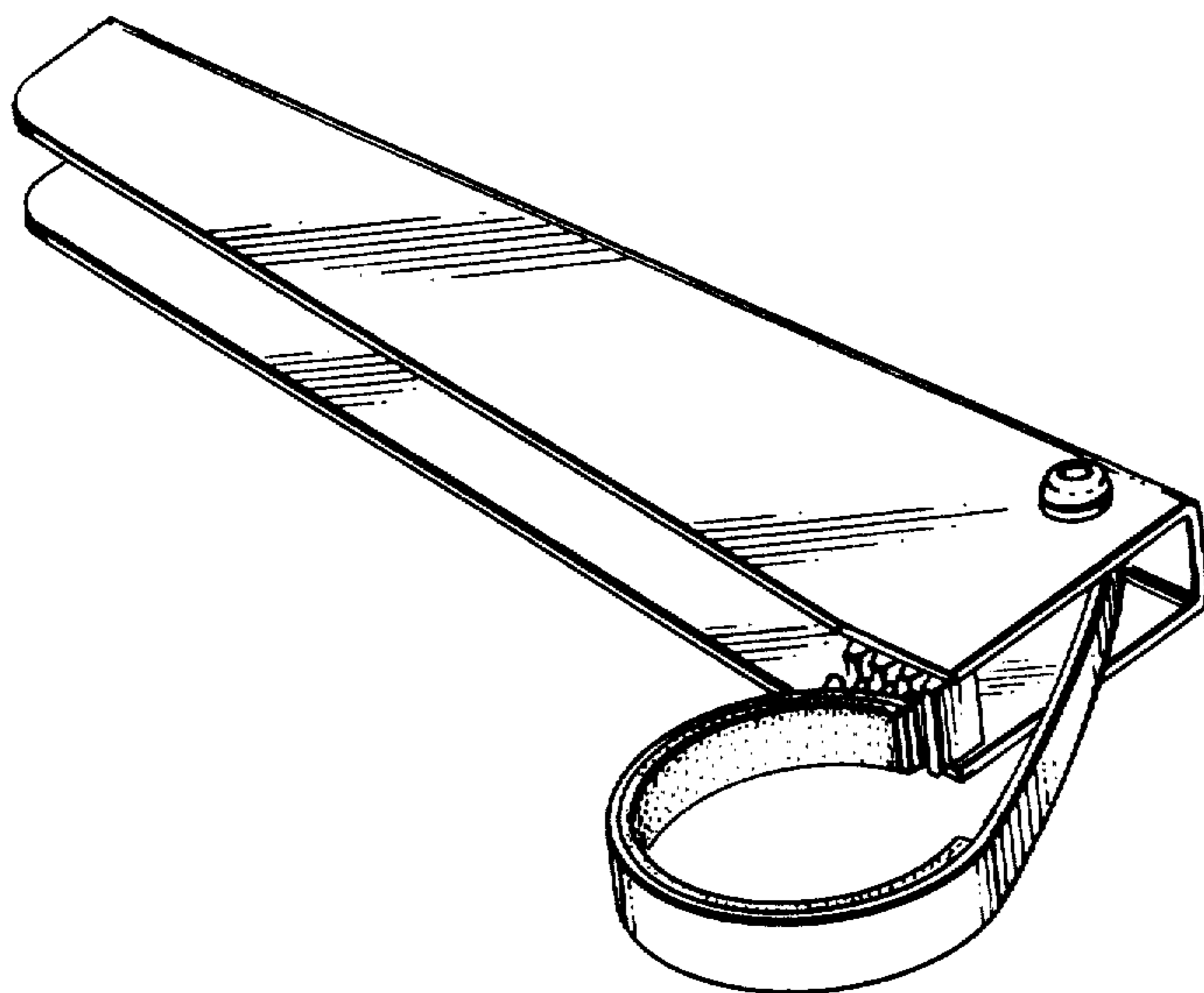


Fig. 1

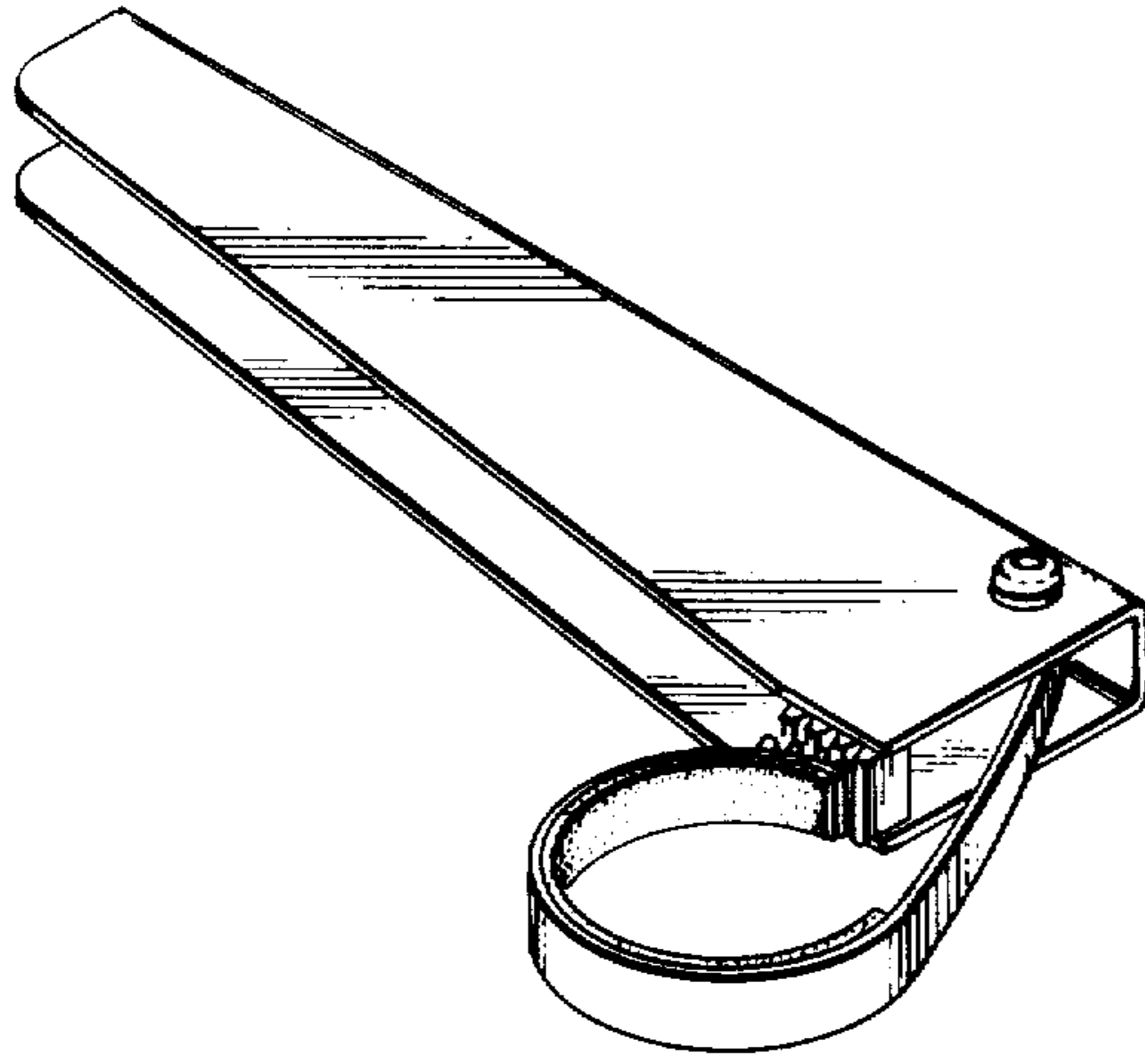


Fig. 6

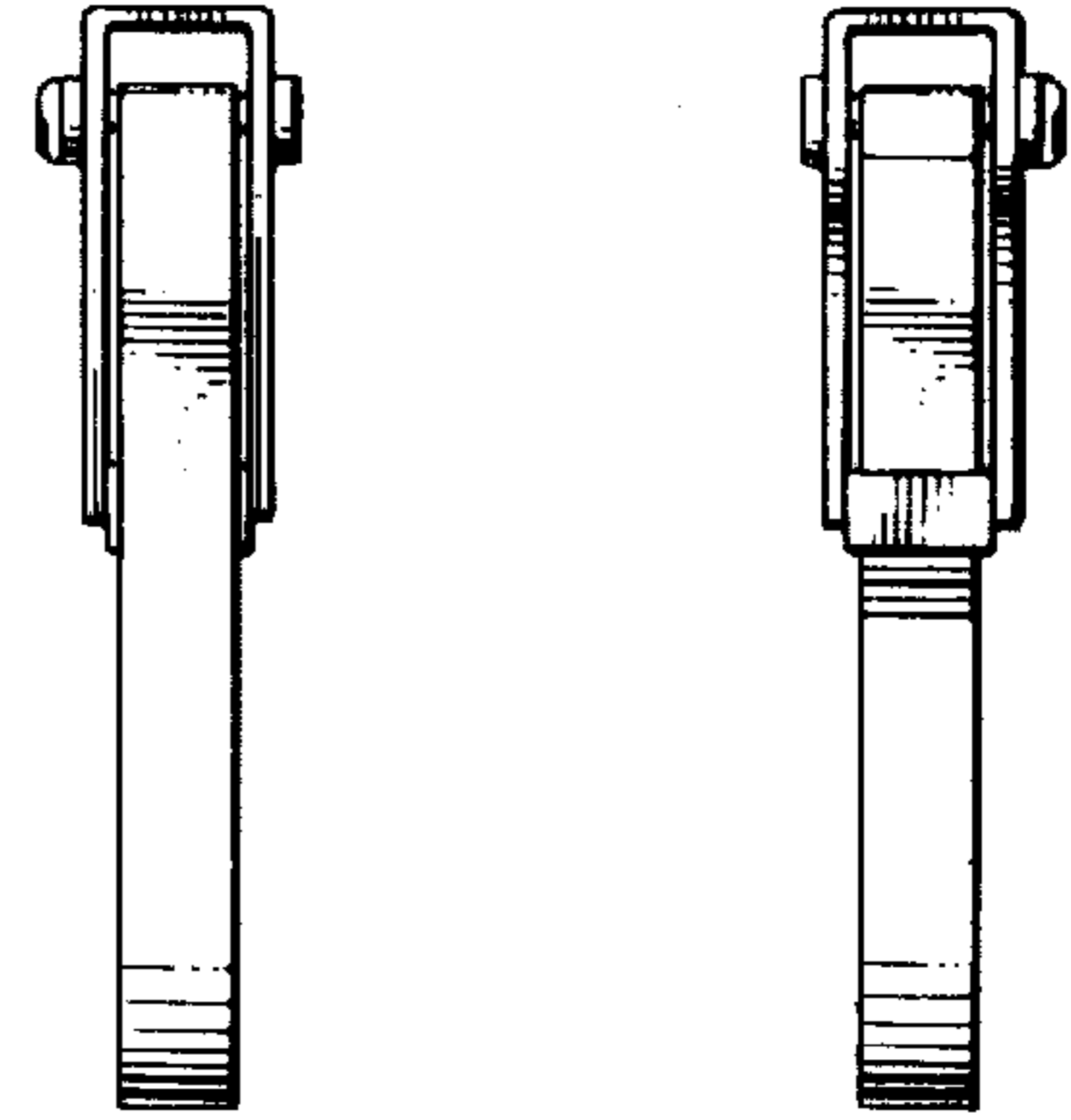


Fig. 5

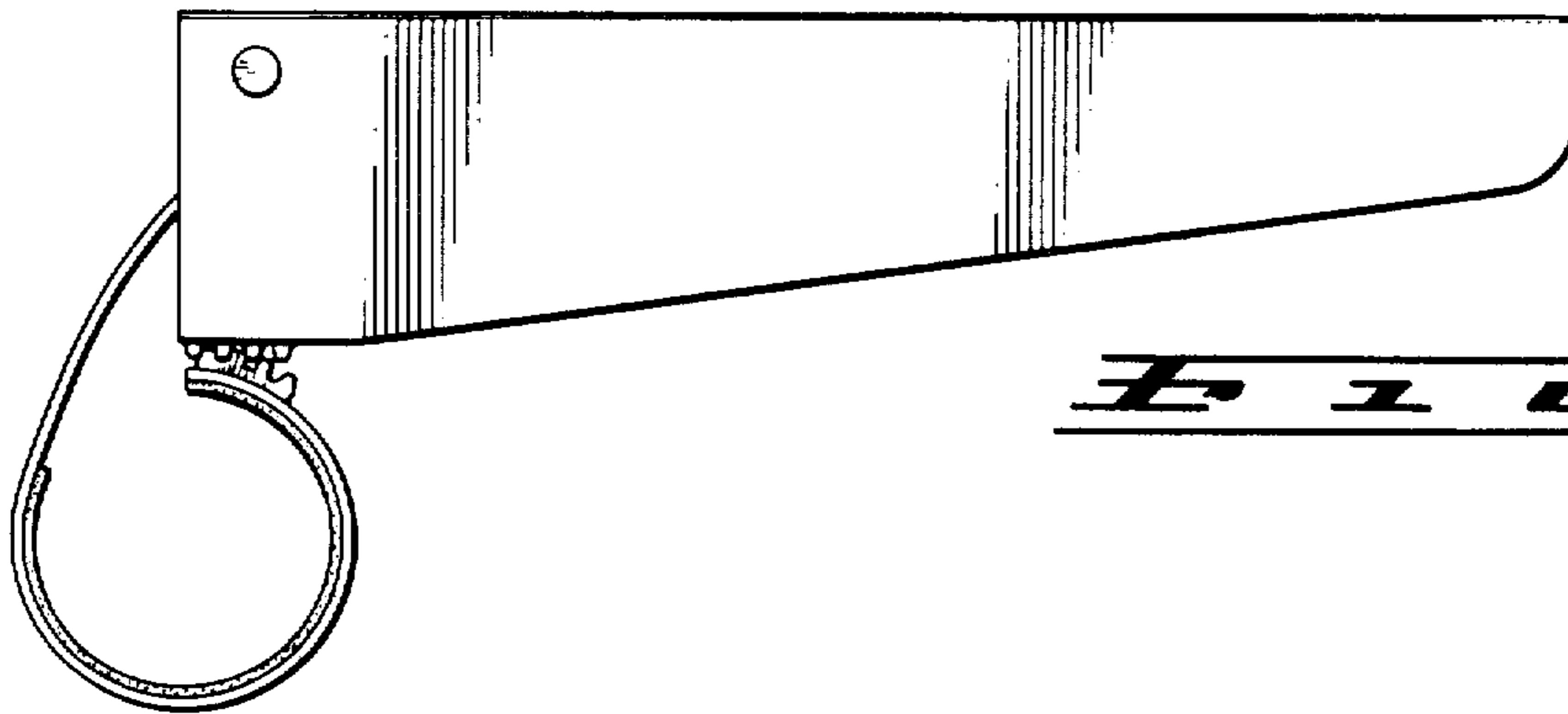


Fig. 2

Fig. 3



Fig. 4

