

[54] **ARTICLE OF FLATWARE**
 [75] Inventor: **Ford J. Lanzoni**, Yalesville, Conn.
 [73] Assignee: **International Silver Company**,
 Meriden, Conn.

[**] Term: **14 Years**
 [21] Appl. No.: **571,841**
 [22] Filed: **Apr. 28, 1975**

[51] Int. Cl. **D7-03**
 [52] U.S. Cl. **D7/137**
 [58] Field of Search **D7/137-152**

References Cited

U.S. PATENT DOCUMENTS

D. 74,874 4/1928 Dolan D7/151
 D. 220,404 4/1971 Quistgaard D7/137

OTHER PUBLICATIONS

H. Nils Danish Silver, Cat. Rec'd. 6/1958, p. 4, "Baronet" Pattern, Forks & Spoons shown.
 H. Nils Danish Silver, Cat. Rec'd. 6/1958, p. 11, "Kolding" Pattern, Forks & Spoons shown.

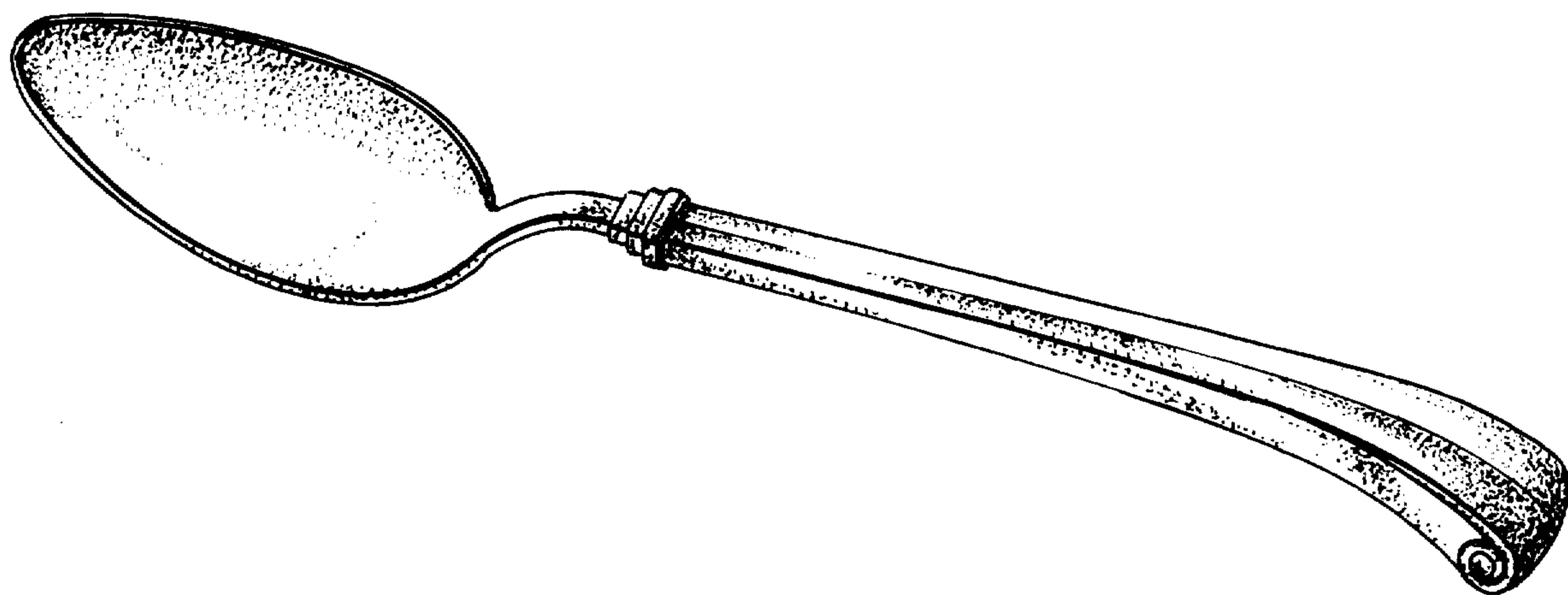
Primary Examiner—Winifred E. Herrmann
Attorney, Agent, or Firm—Dayton R. Stemple, Jr.

[57] **CLAIM**

The ornamental design for an article of flatware, as shown and described.

DESCRIPTION

FIG. 1 is a front elevational view of an article of flatware showing my new design as embodied in a fork;
 FIG. 2 is a side elevational view thereof, the side opposite being a mirror image thereof;
 FIG. 3 is a rear elevational view thereof;
 FIG. 4 is a sectional view taken on line 4—4 of FIG. 1;
 FIG. 5 is a sectional view taken on line 5—5 of FIG. 1;
 FIG. 6 is a sectional view taken on line 6—6 of FIG. 1;
 FIG. 7 is a sectional view taken on line 7—7 of FIG. 1;
 FIG. 8 is a perspective view thereof;
 FIG. 9 is a perspective view of an article of flatware showing my new design as embodied in a dessert spoon; and
 FIG. 10 is a perspective view of an article of flatware showing my new design as embodied in a serving spoon.
 The distinguishing feature of my new design for an article of flatware resides in the handle configuration.



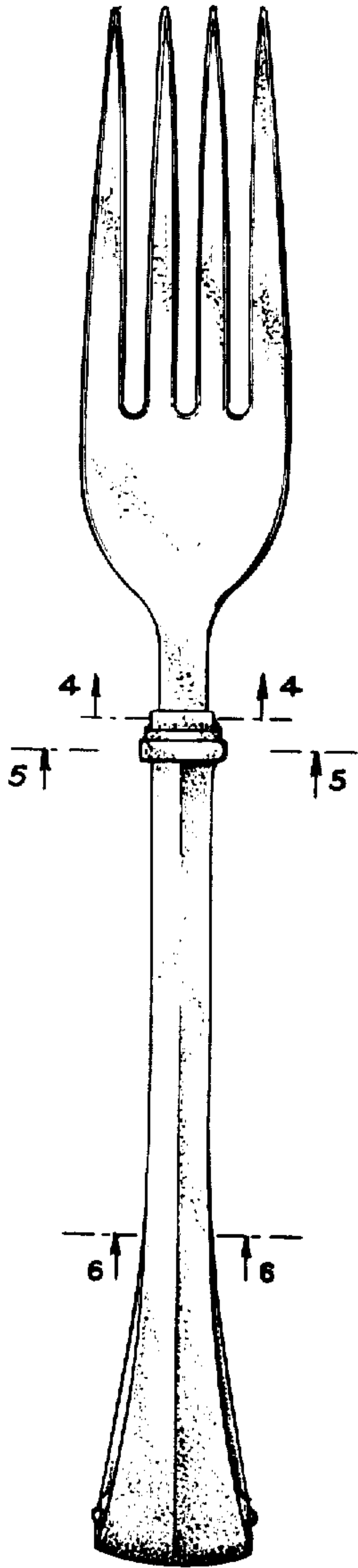


FIG. 1

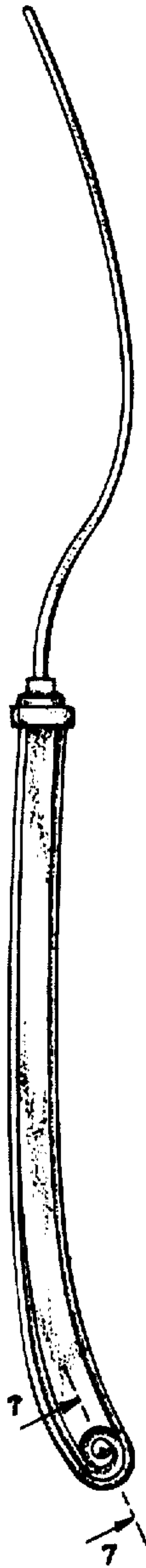


FIG. 2

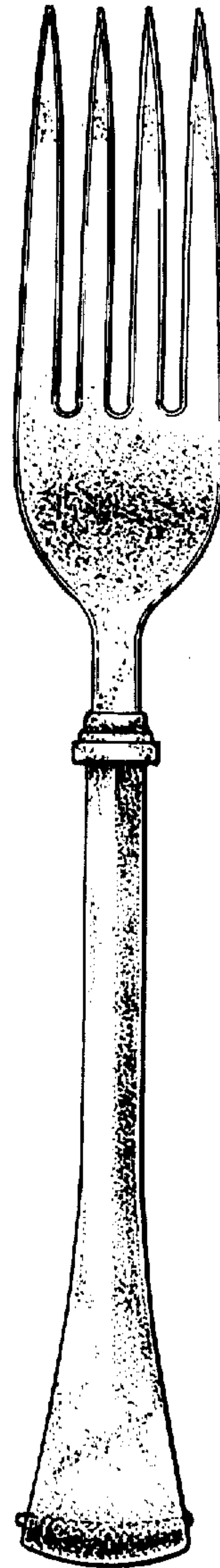


FIG. 3



FIG. 4



FIG. 5



FIG. 6



FIG. 7

