

[54] **ELECTRIC BROILER GRILL OR SIMILAR ARTICLE**

[75] Inventor: **Theodore G. Daher**, Stratford, Conn.

[73] Assignee: **General Electric Company**

[**] Term: **14 Years**

[21] Appl. No.: **597,826**

[22] Filed: **July 21, 1975**

[51] Int. Cl. **D7-02**

[52] U.S. Cl. **D7/88**

[58] Field of Search **D7/87, 88, 94**

[56] **References Cited**

U.S. PATENT DOCUMENTS

2,903,959	9/1959	Wagner et al.	99/376
3,348,470	10/1967	Swanson	99/341
3,842,726	10/1974	Fautz	99/425
3,848,110	11/1974	Giguere et al.	219/525
D. 168,762	2/1953	Polivka	D7/88

D. 178,247	7/1956	Knapp	D7/87
D. 232,012	7/1974	Bardeau	D7/88

Primary Examiner—Joel Stearman
Assistant Examiner—Josephine Lloyd
Attorney, Agent, or Firm—Leonard J. Platt

[57] **CLAIM**

The ornamental design for an electric broiler grill or similar article, as shown and described.

DESCRIPTION

FIG. 1 is a perspective view of an electric broiler grill showing my new design; FIG. 2 is a right side elevational view thereof; FIG. 3 is a perspective view with the lid opened in a raised position; FIG. 4 is a top plan view. FIG. 5 is a front elevational view thereof; FIG. 6 is a rear elevational view thereof; and FIG. 7 is a bottom plan view thereof.

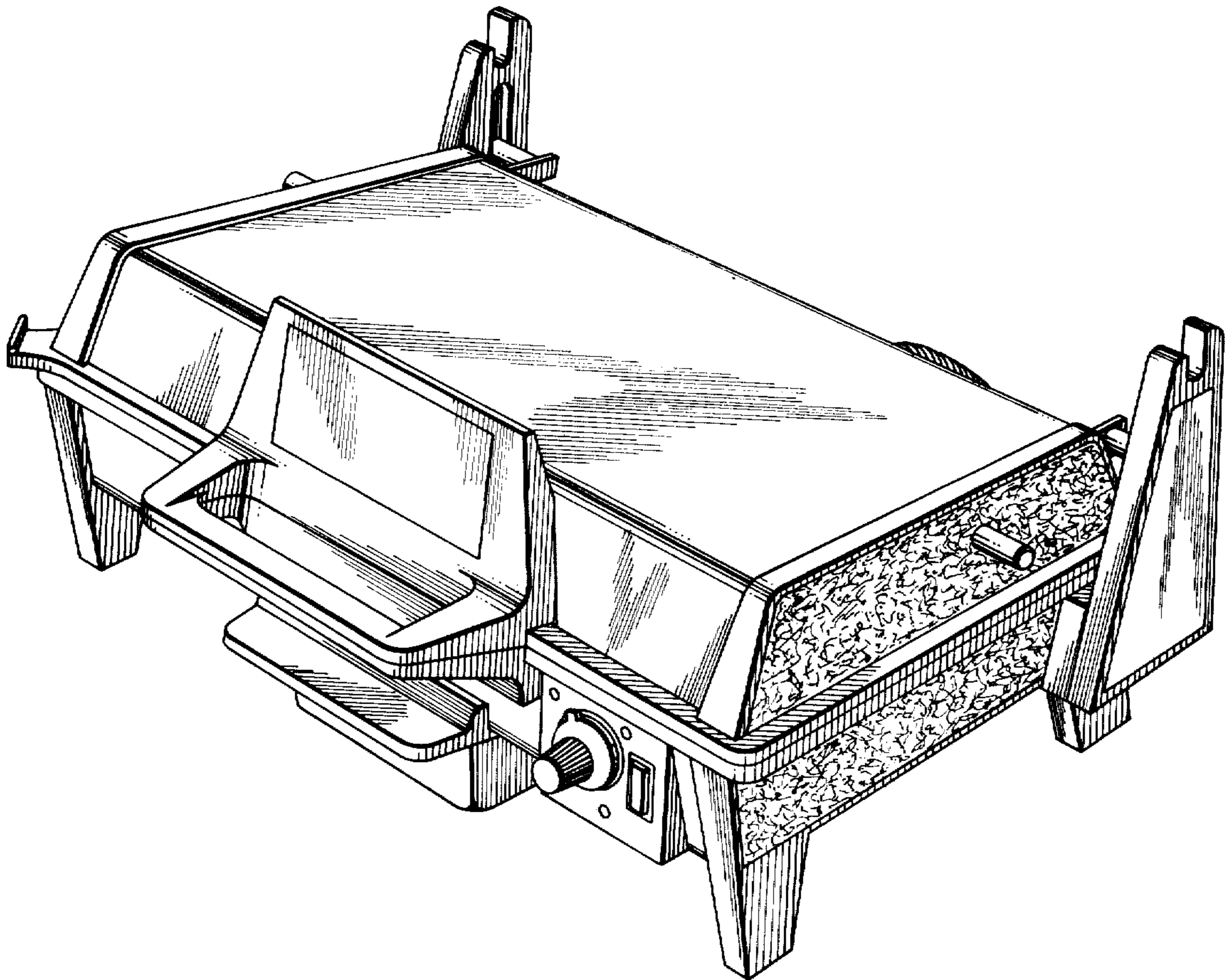


FIG. 1.

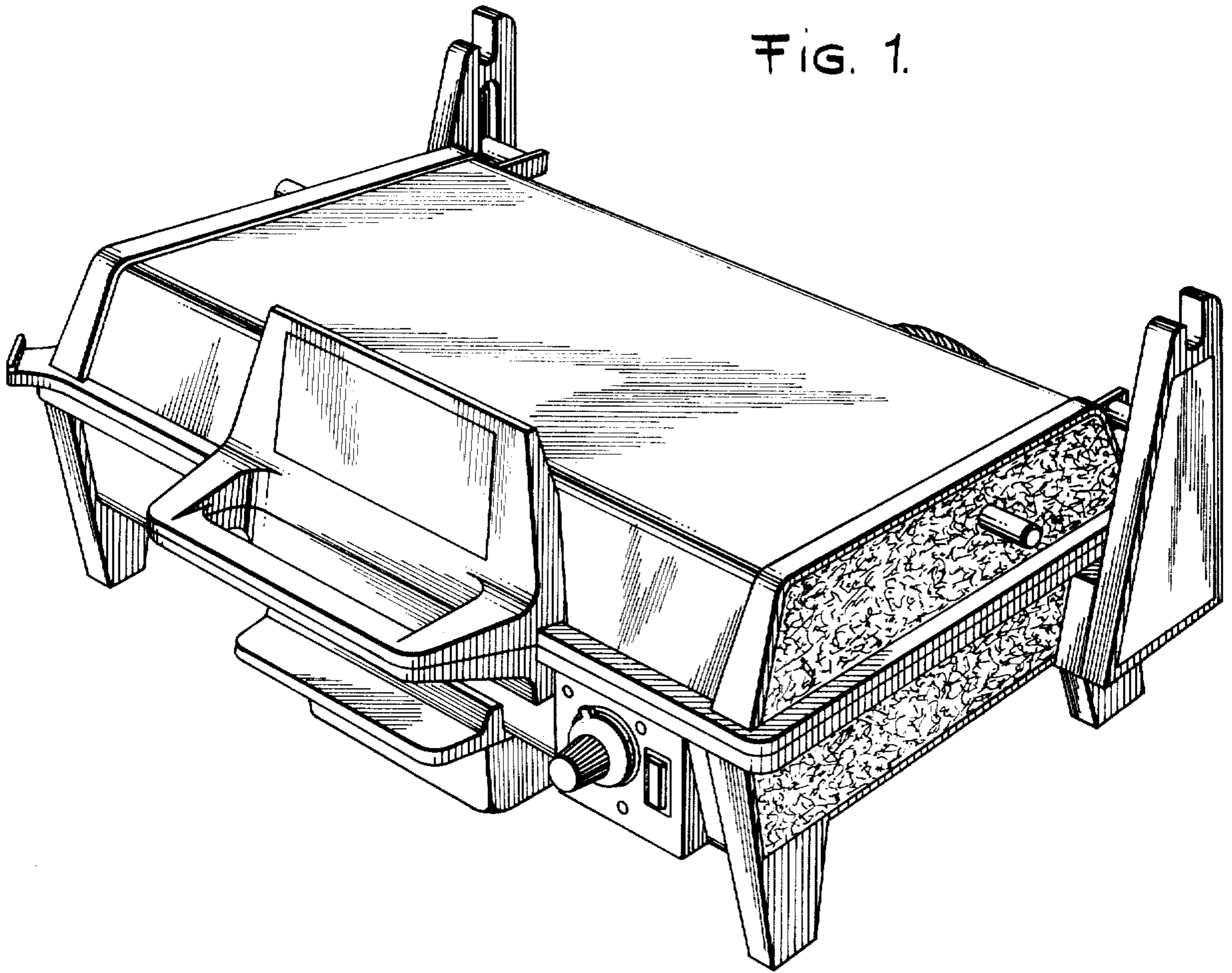


FIG. 2.

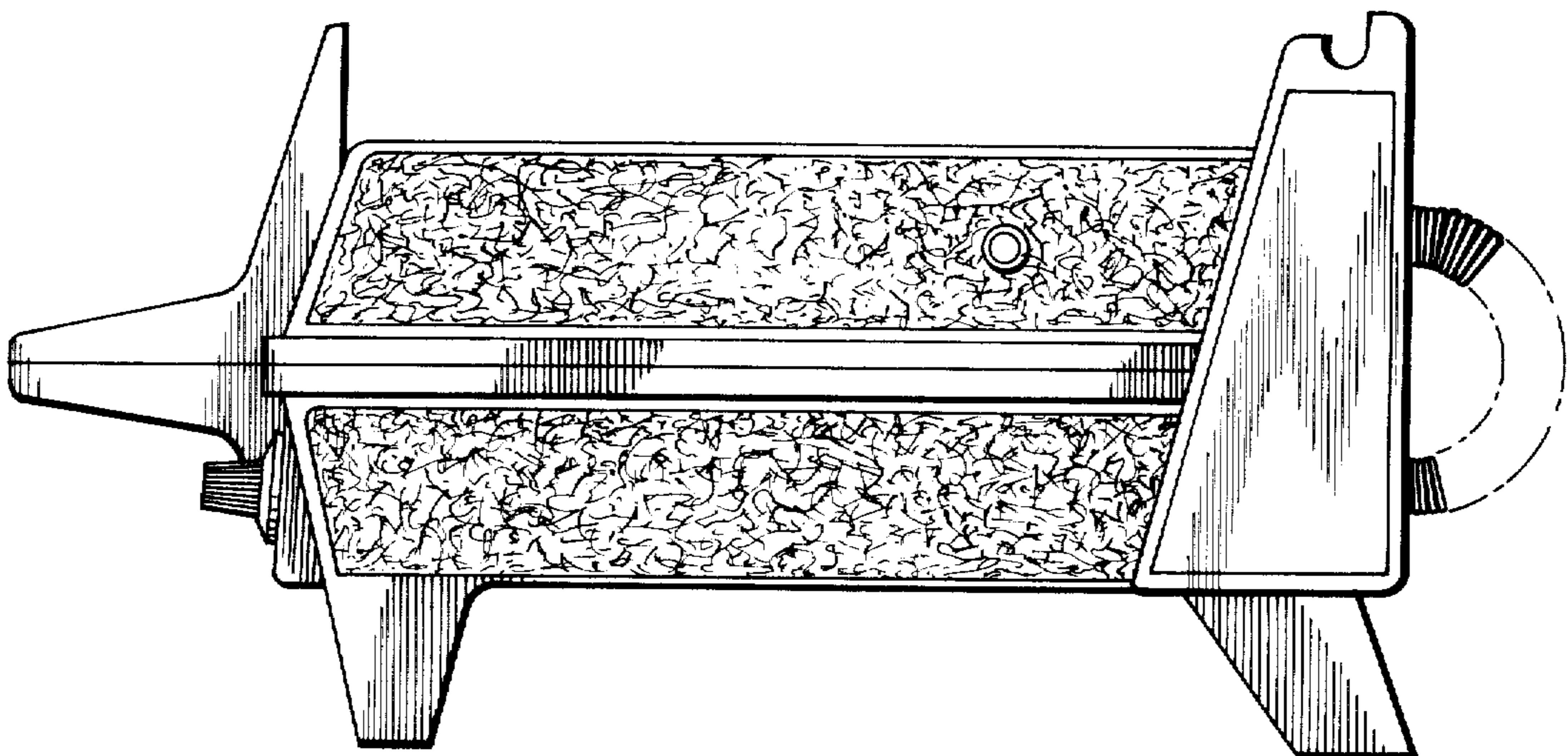


FIG. 3.

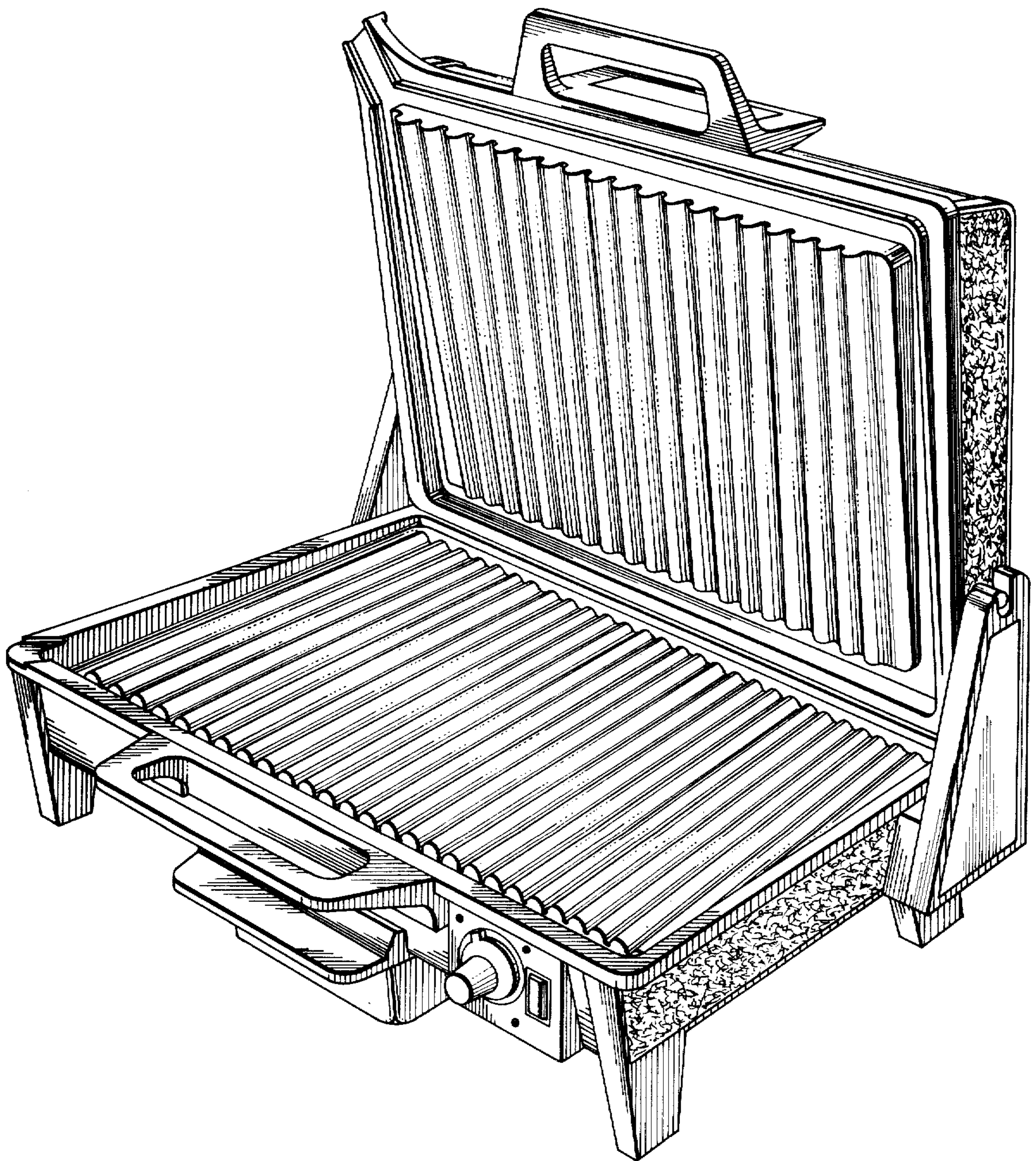


FIG. 4.

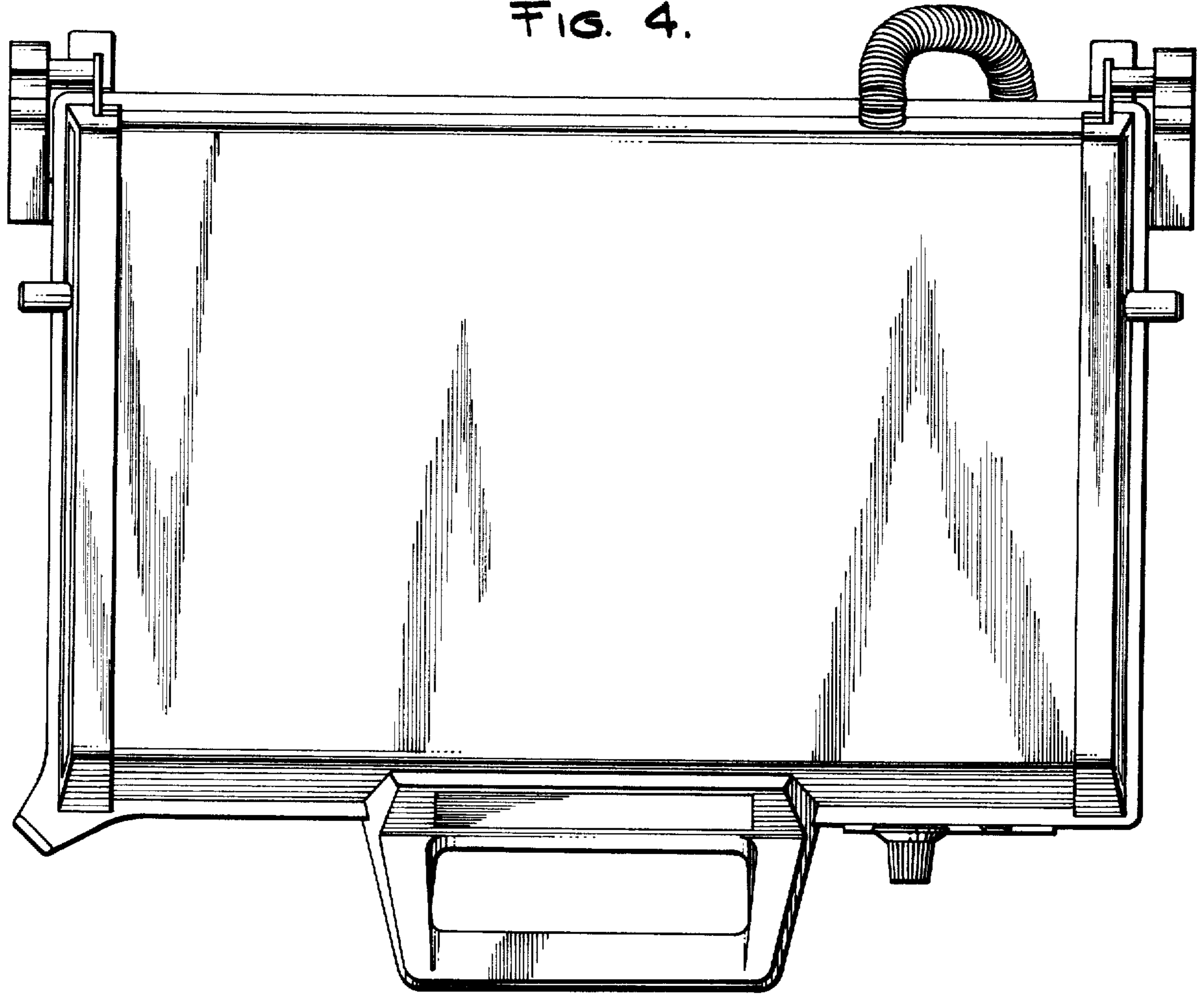


FIG. 5.

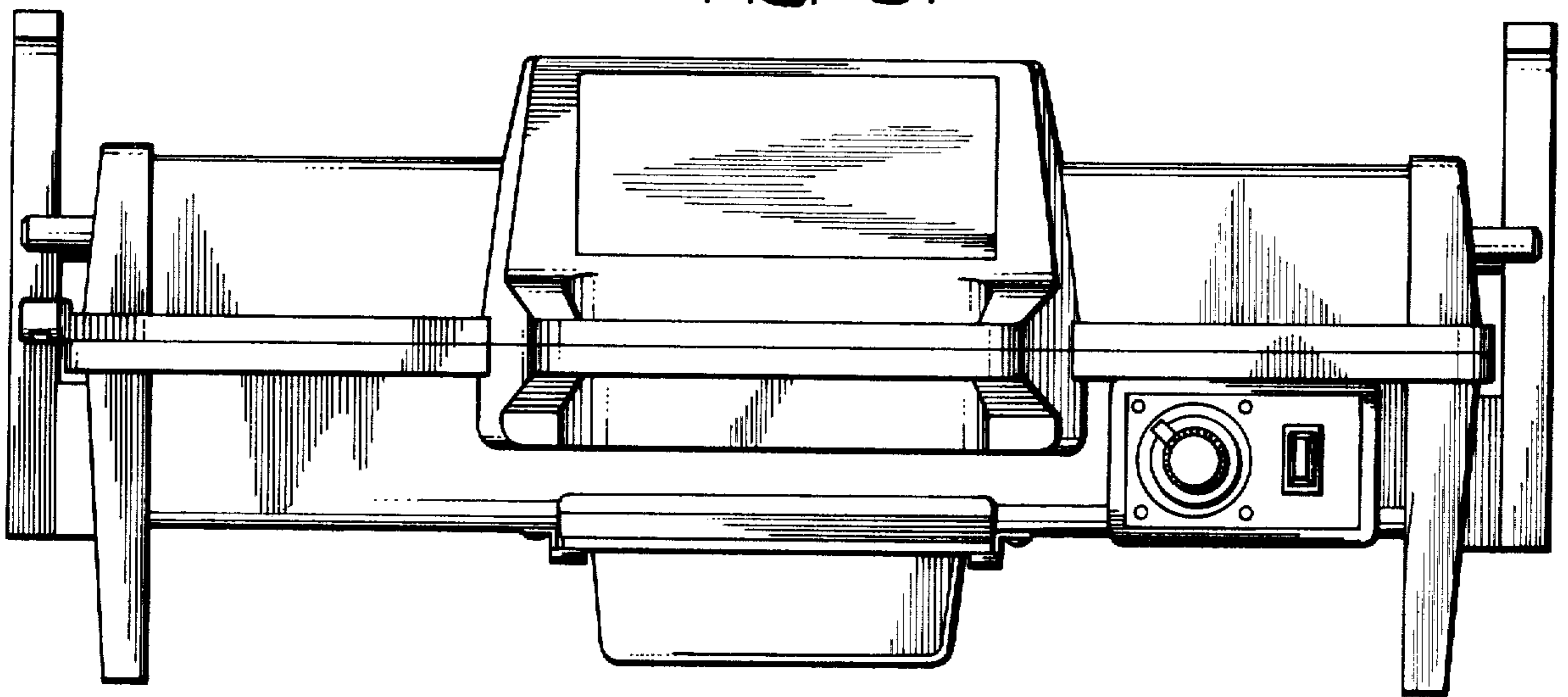


FIG. 6.

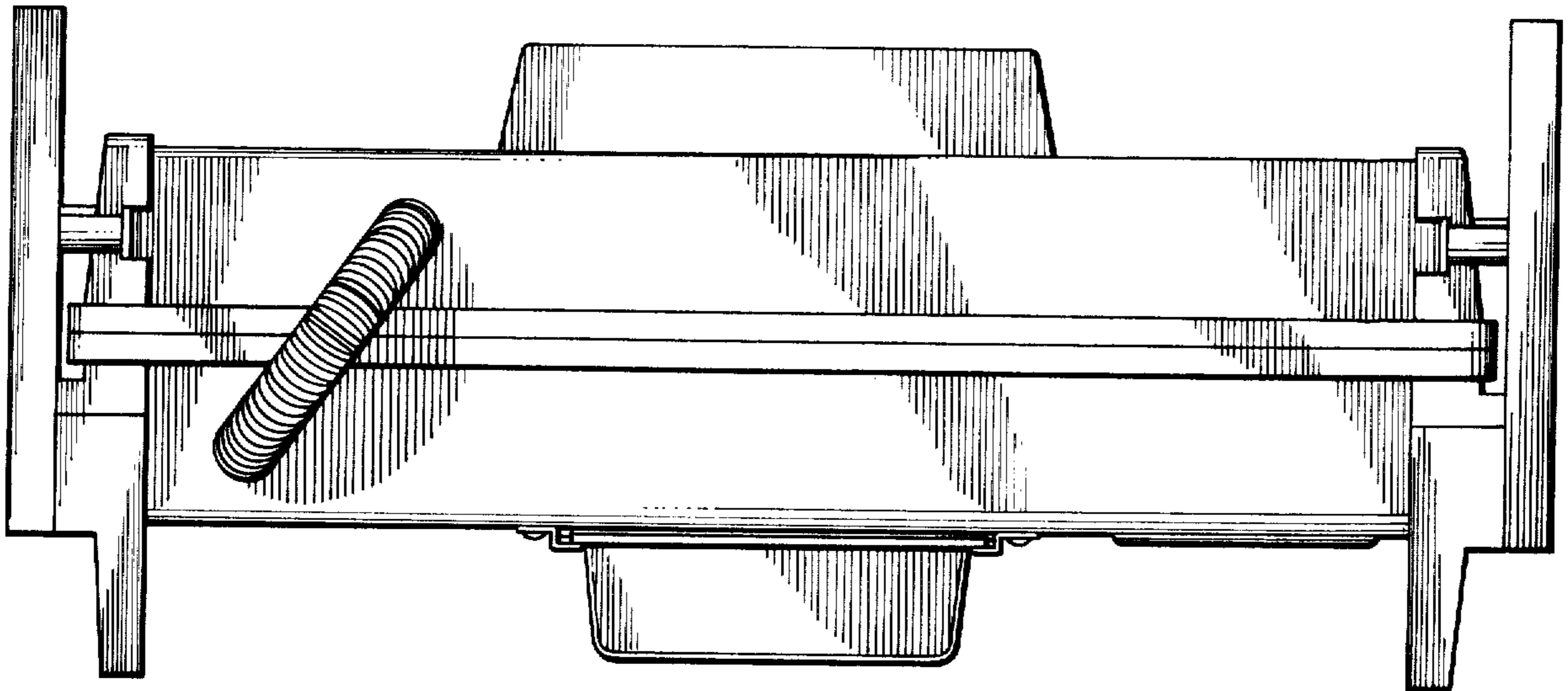


FIG. 7

