

[54] **GRATER**
 [75] Inventor: **Robert H. C. M. Daenen**,
 Beukenlaan, Belgium
 [73] Assignee: **Dart Industries Inc.**, Los Angeles,
 Calif.
 [**] Term: **14 Years**
 [21] Appl. No.: **564,503**
 [22] Filed: **Apr. 2, 1975**
 [51] Int. Cl. **D7-04**
 [52] U.S. Cl. **D7/47**
 [58] Field of Search D7/47, 41, 99-106,
 D7/46; 241/95, 168, 273.1, 273.2, 273.3,
 273.4, 274

[56] **References Cited**

U.S. PATENT DOCUMENTS

268,511	12/1882	McCobb	241/273.1 X
1,248,166	11/1917	Rubenstein	241/273.4
3,495,639	2/1970	Johansson	241/95
D. 47,322	5/1915	Campbell	D7/46
D. 149,956	6/1948	Lataner	D7/47

D. 152,677 2/1949 DeVault D7/47
 D. 230,241 2/1974 Riddington D7/47

FOREIGN PATENT DOCUMENTS

10,956 5/1897 United Kingdom 241/95

Primary Examiner—Winifred E. Herrmann
Attorney, Agent, or Firm—Leigh B. Taylor

[57] **CLAIM**

The ornamental design for a grater, substantially as shown and described.

DESCRIPTION

FIG. 1 is a top perspective view of a grater showing my new design;

FIG. 2 is a bottom plan view thereof;

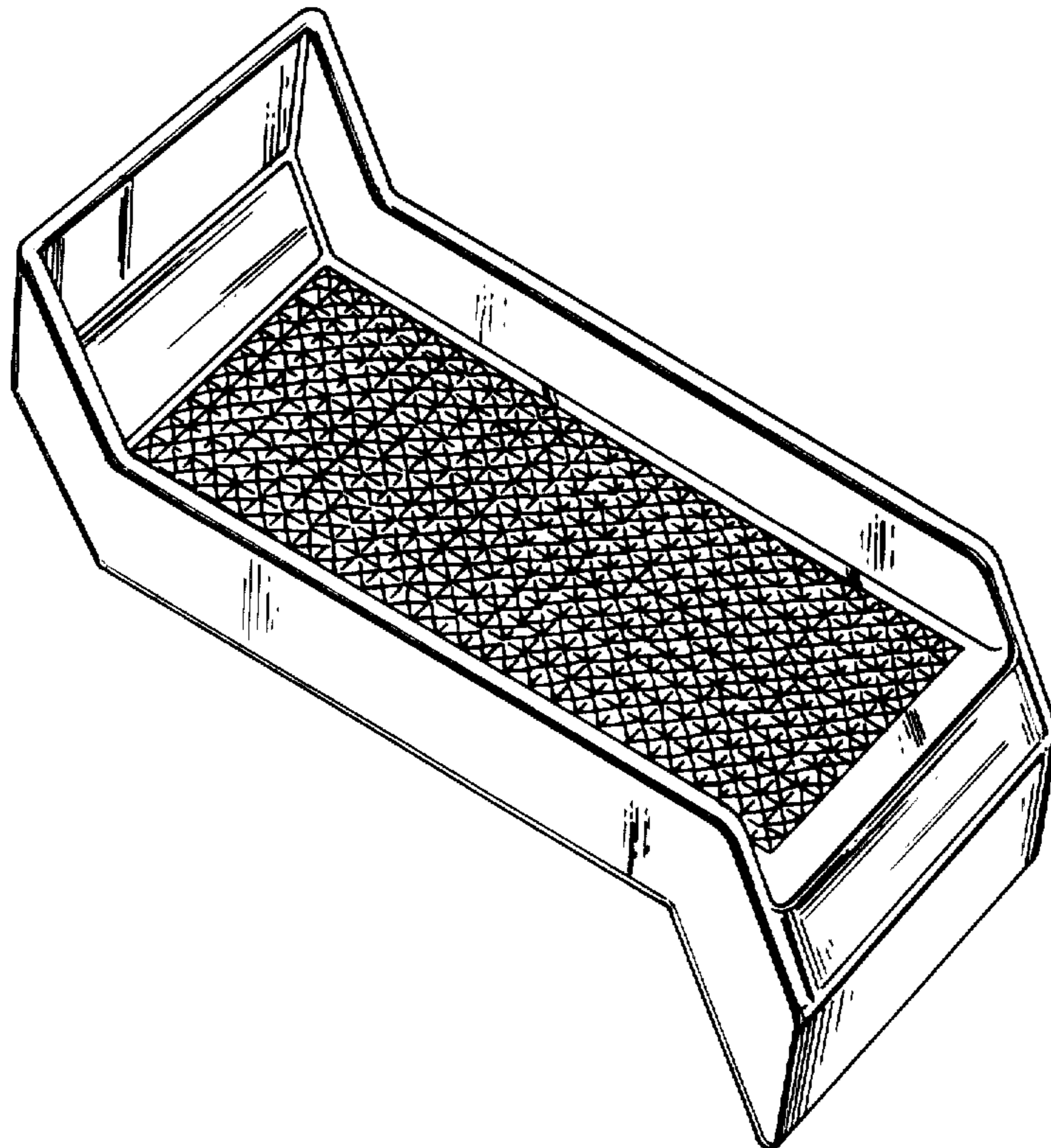
FIG. 3 is an end elevational view thereof;

FIG. 4 is a side elevational view thereof;

FIG. 5 is an opposite end elevational view thereof; and

FIG. 6 is a cross sectional view thereof taken along line 6-6 of FIG. 2.

The dominant features of the grater design resides in the overall configuration of the grater body.



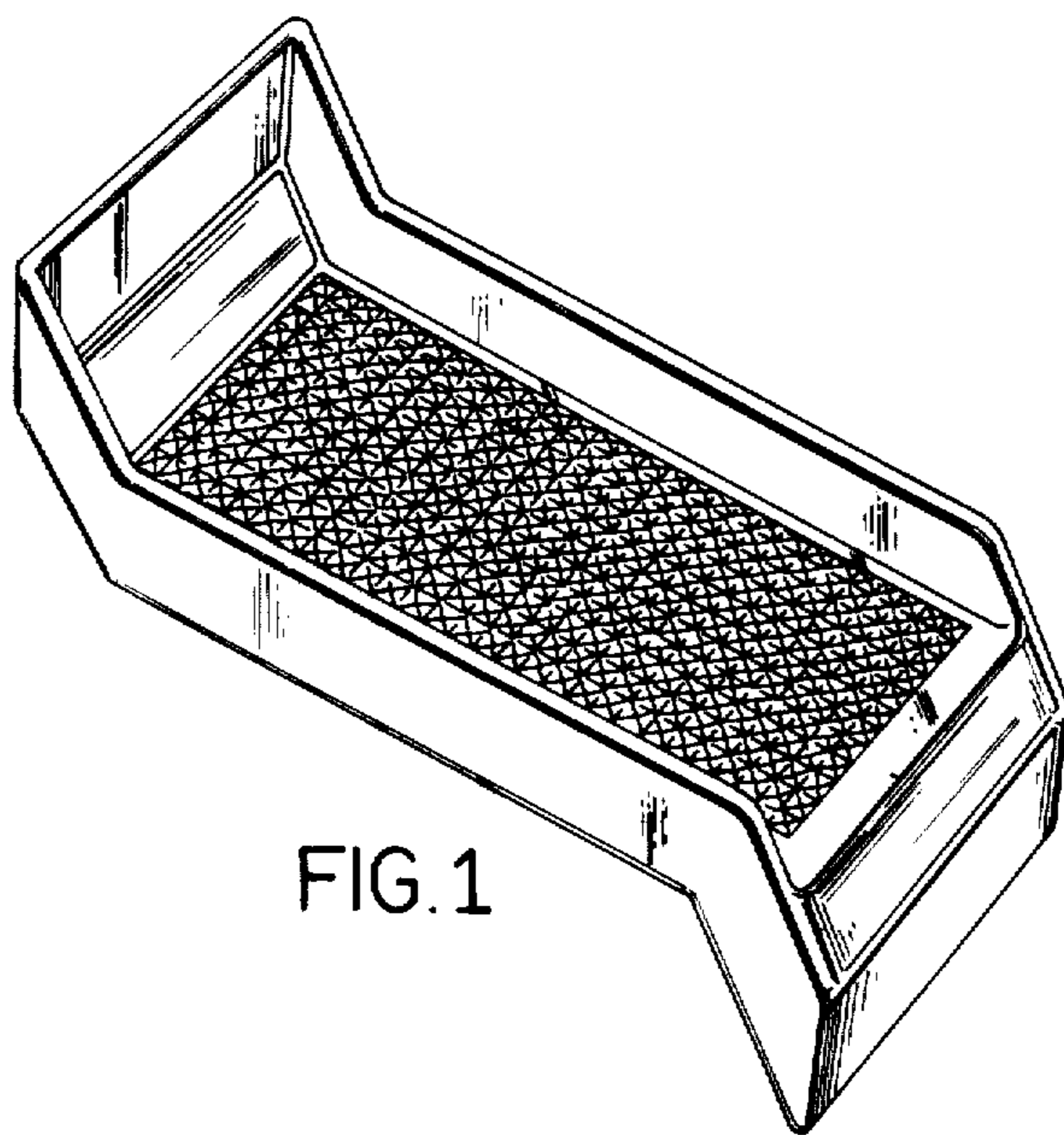


FIG. 1

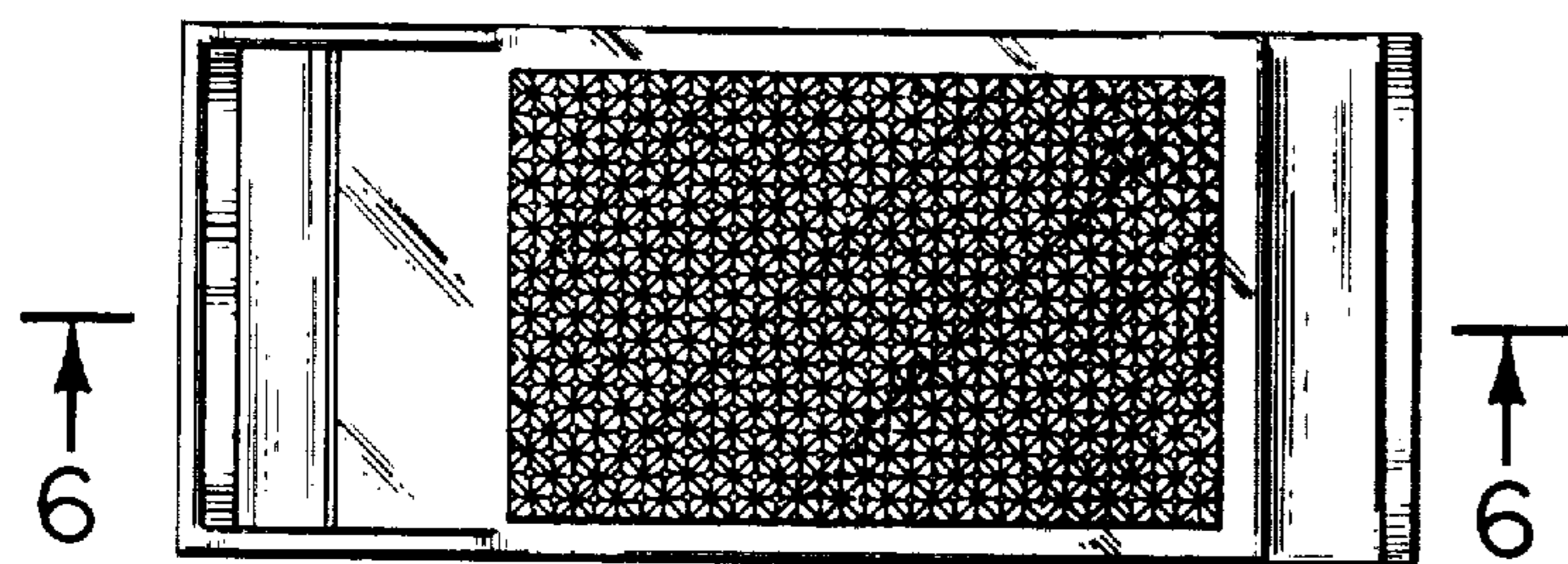


FIG. 2

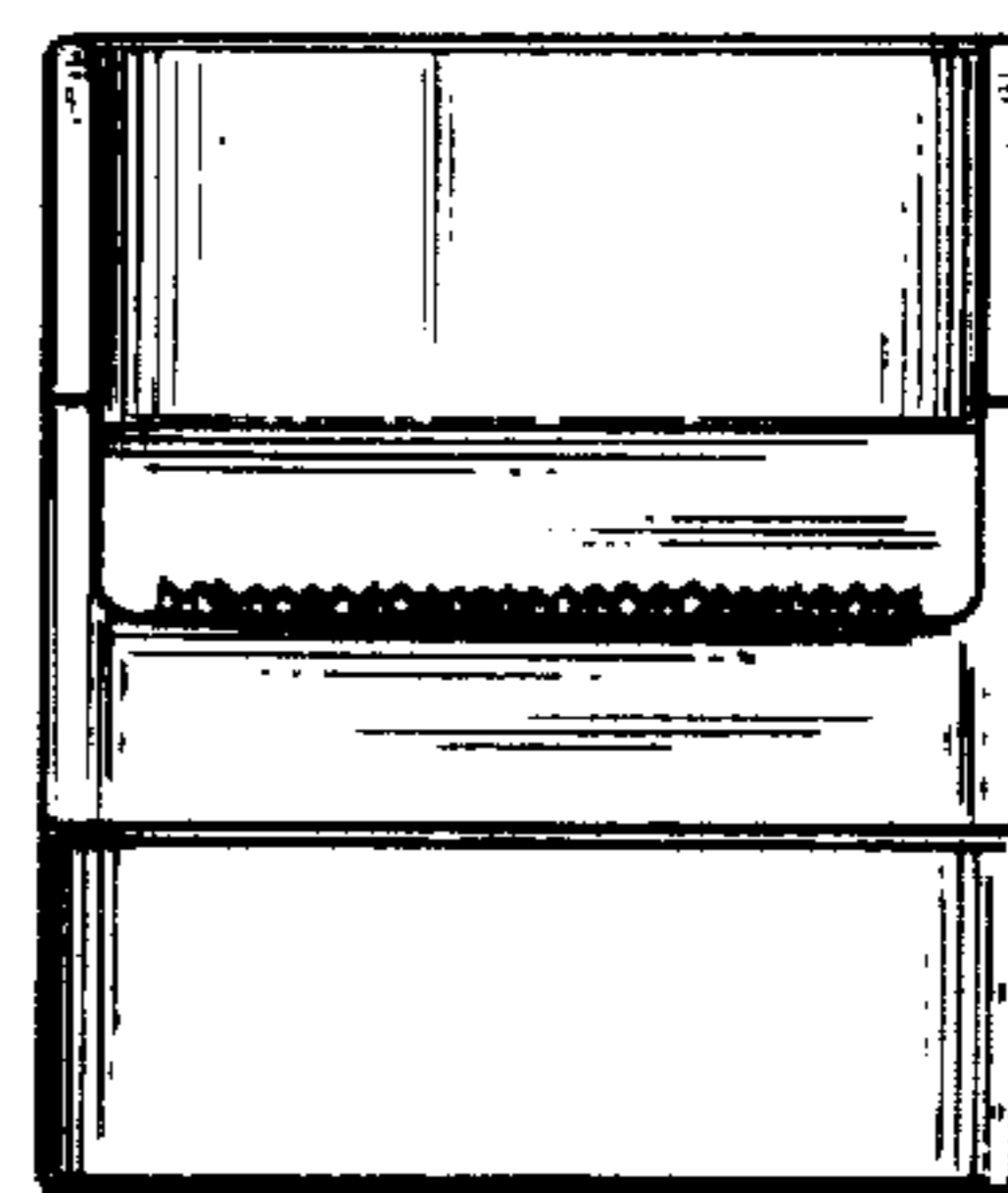


FIG. 3

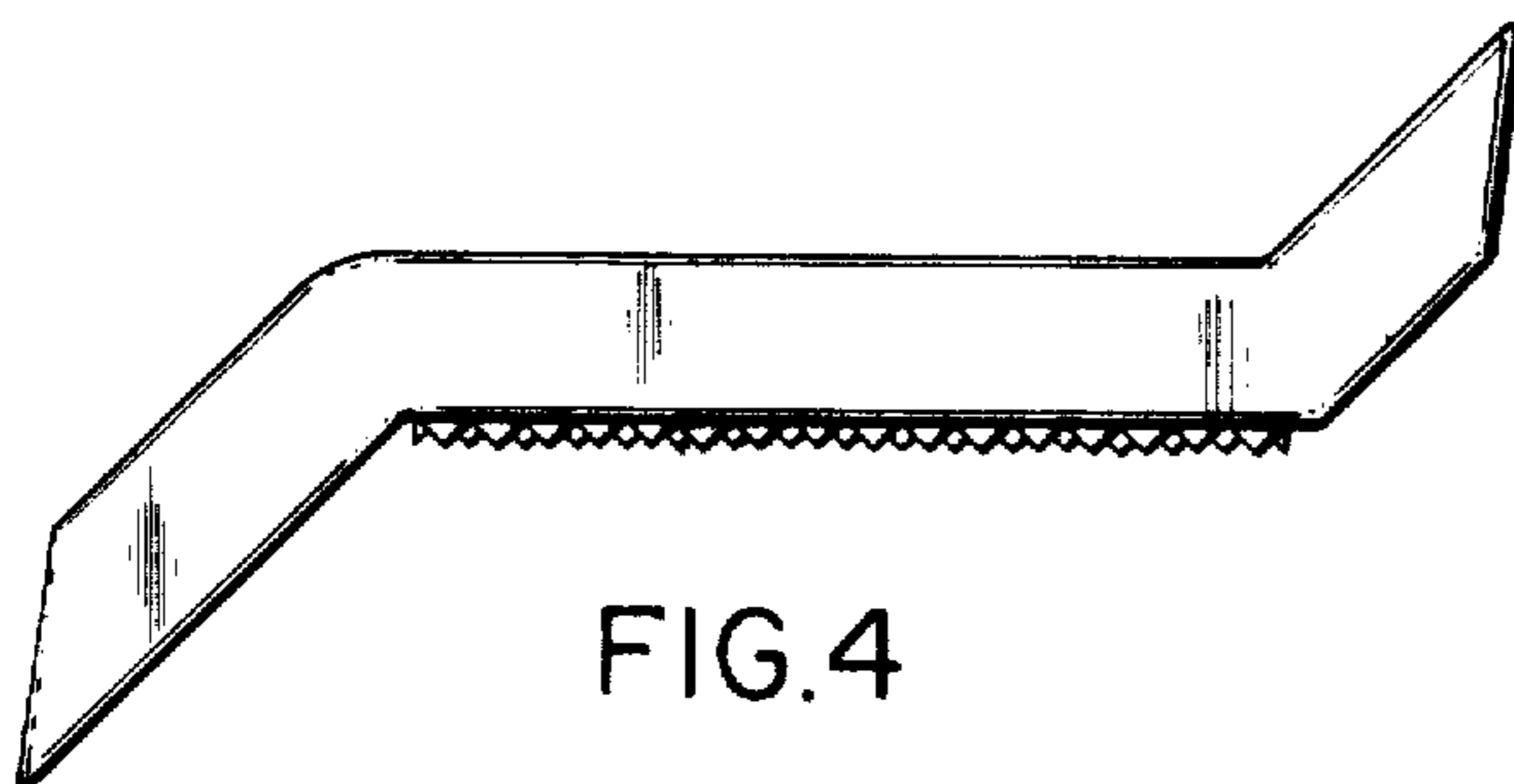


FIG. 4

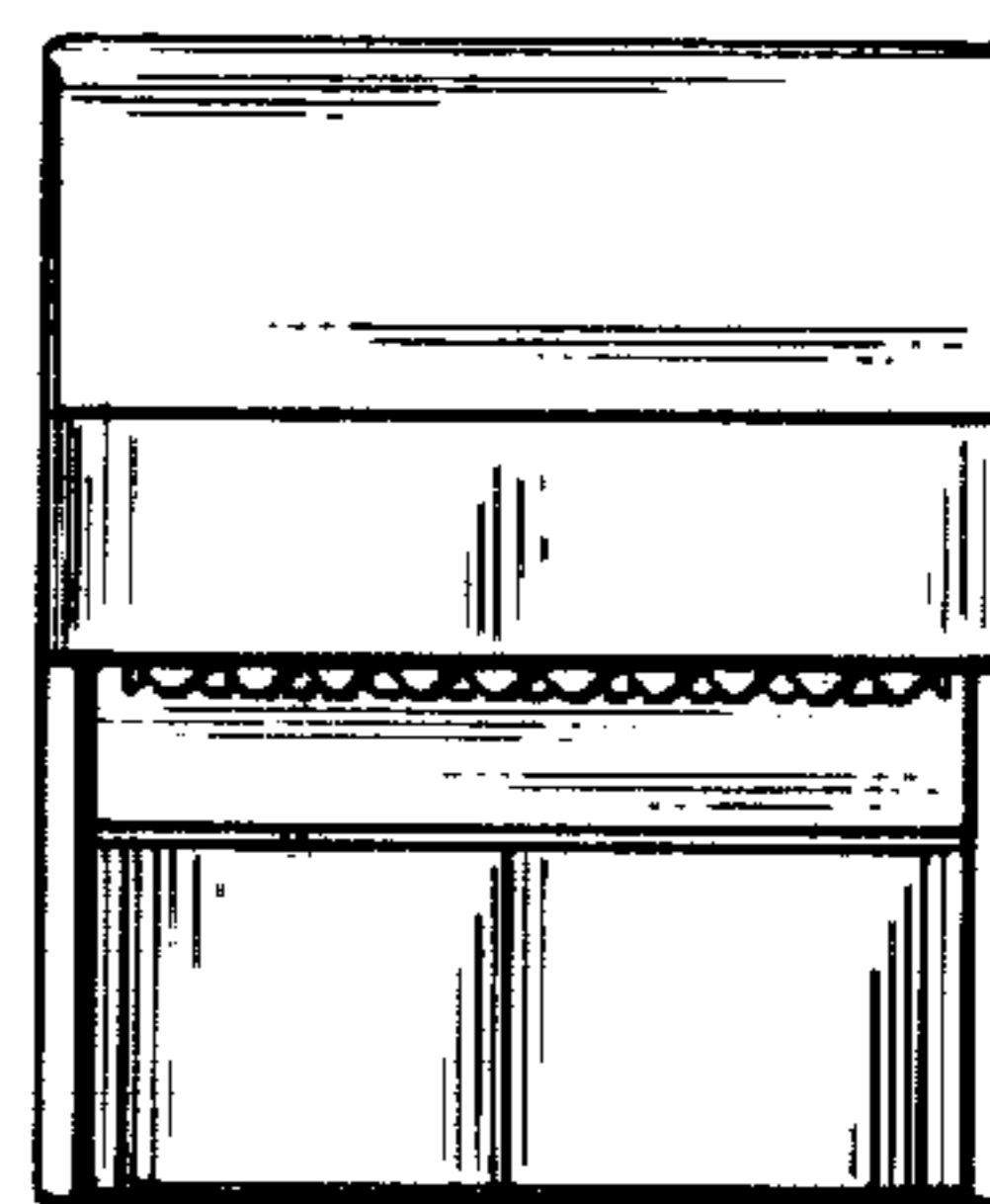


FIG. 5

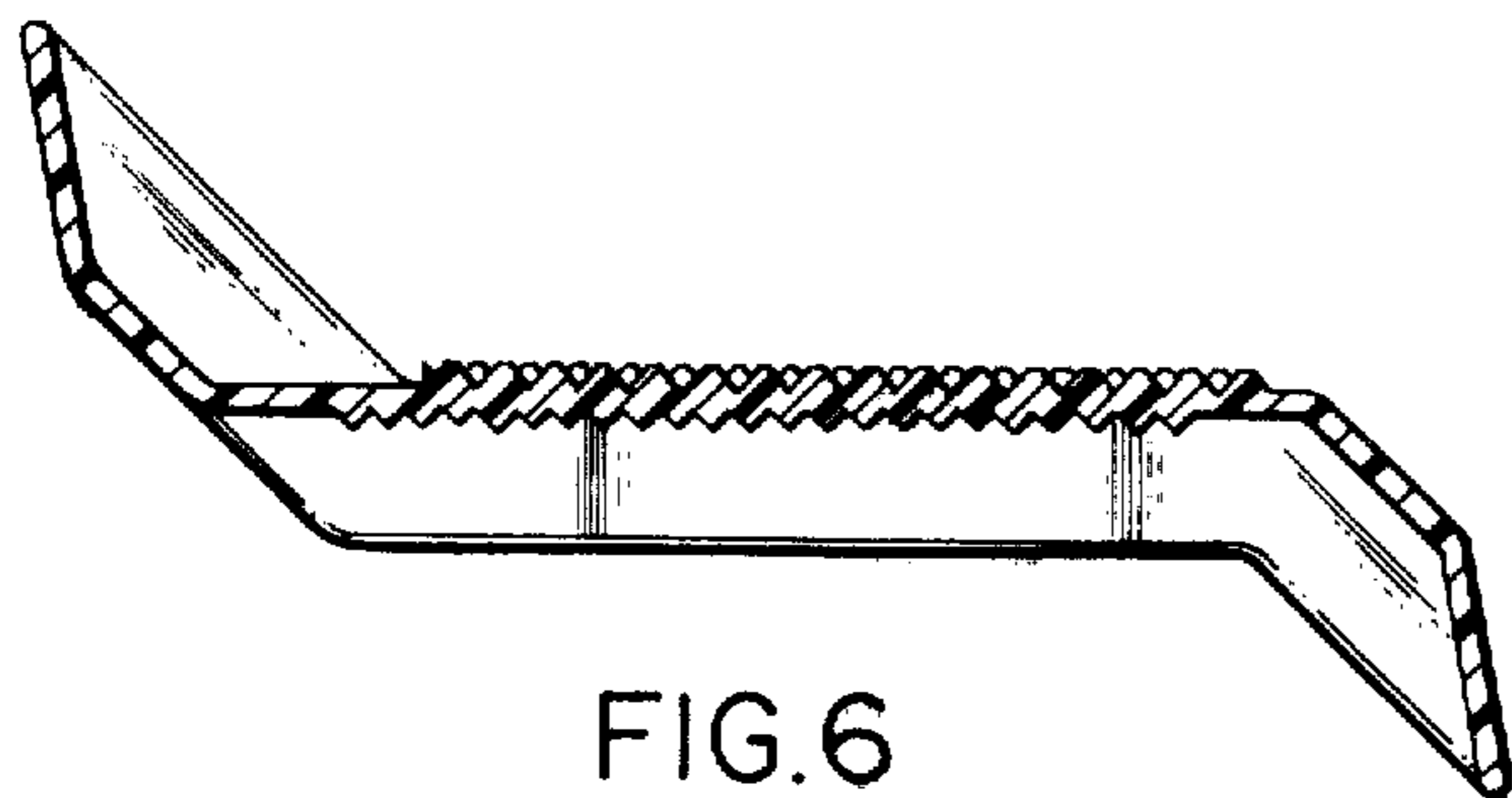


FIG. 6