

[54] TABLE
 [75] Inventor: **Roland P. Carter**, Lynchburg, Va.
 [73] Assignee: **The Lane Company, Inc.**, Altavista, Va.
 [**] Term: **14 Years**
 [21] Appl. No.: **529,593**
 [22] Filed: **Dec. 4, 1974**
 [51] Int. Cl. **D6-03**
 [52] U.S. Cl. **D6/175**
 [58] Field of Search **D6/175-179, D6/145-149, 181, 186**

D. 146,006 12/1946 Kolacy D6/175
 D. 147,820 11/1947 Smith D6/175
 D. 150,340 7/1948 Cunningham D6/177
 D. 233,499 11/1974 Sakata D6/179

Primary Examiner—Bruce W. Dunkins
Attorney, Agent, or Firm—C. Willard Hayes

[57] CLAIM

The ornamental design for a table, as shown and described.

DESCRIPTION

FIG. 1 is a perspective view of the table;
 FIG. 2 is a side elevation of the table;
 FIG. 3 is a plan view thereof; and
 FIG. 4 is an end elevation taken from the left of FIGS. 2 and 3.

The end of the table not shown in FIG. 1 is the same as that shown in FIG. 4.

[56] **References Cited**
U.S. PATENT DOCUMENTS
 D. 113,215 2/1939 Birkmeyer D6/177
 D. 139,870 1/1945 McDonald D6/175

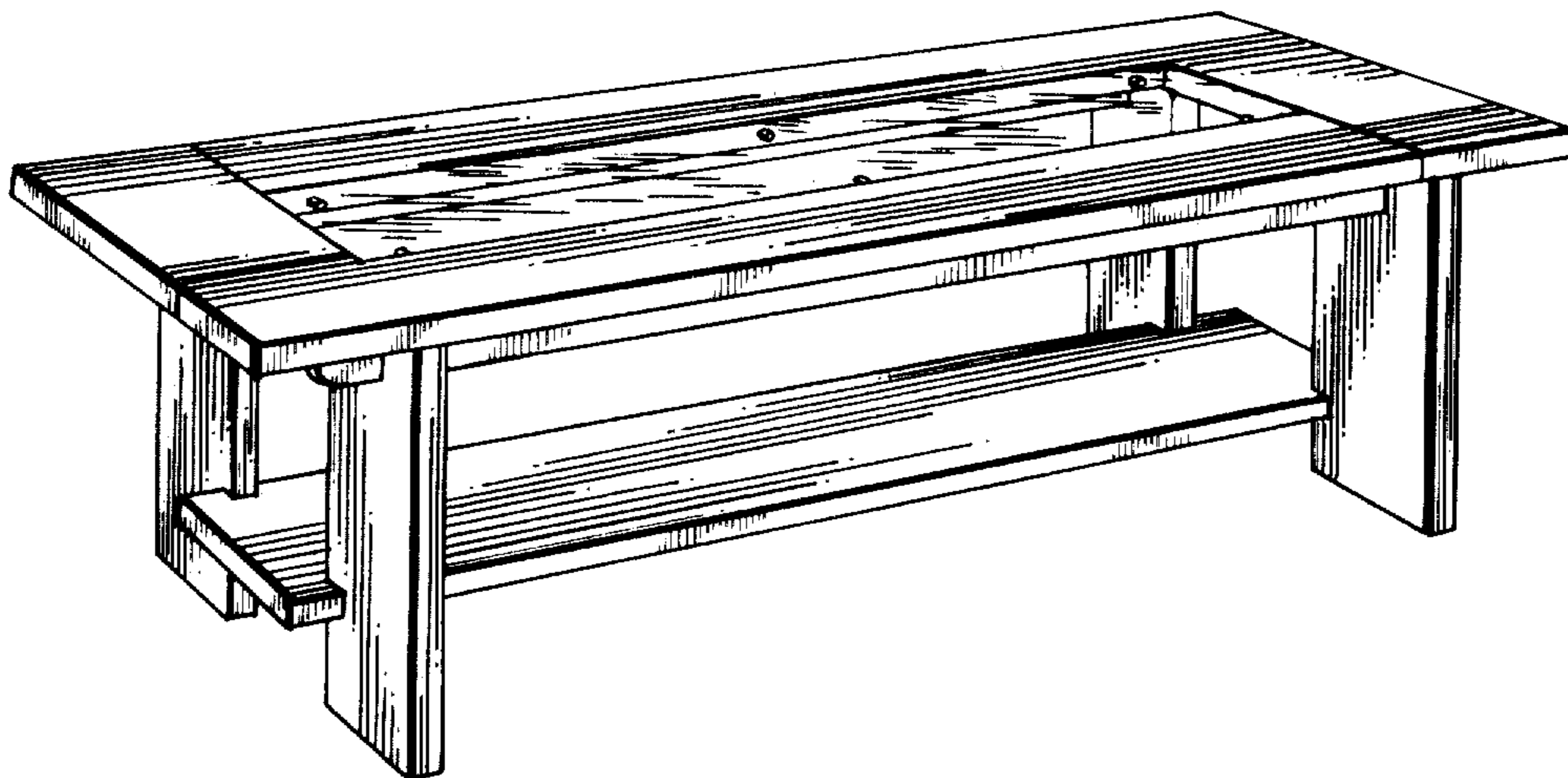


Fig. 1.

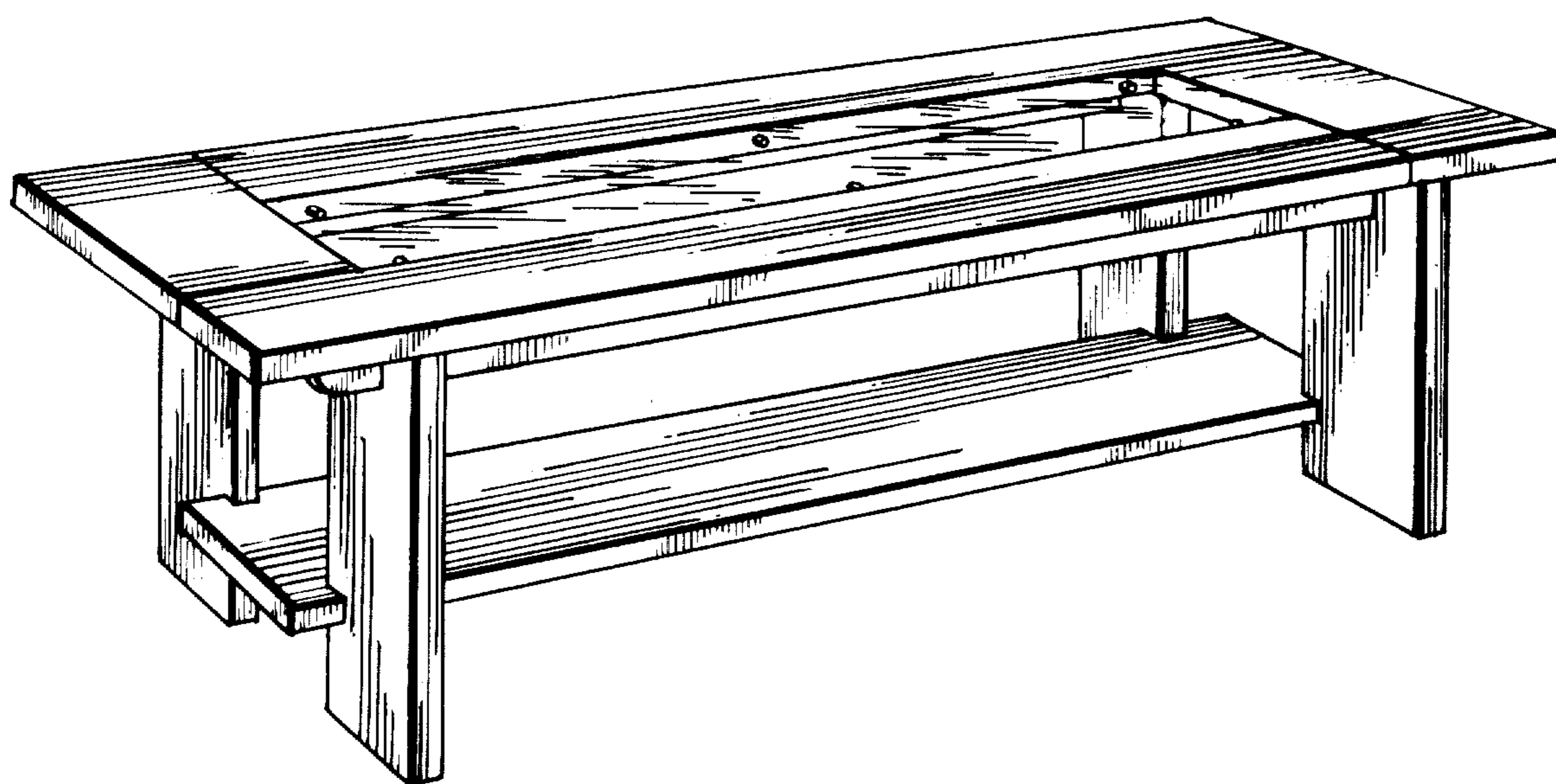


Fig. 2.

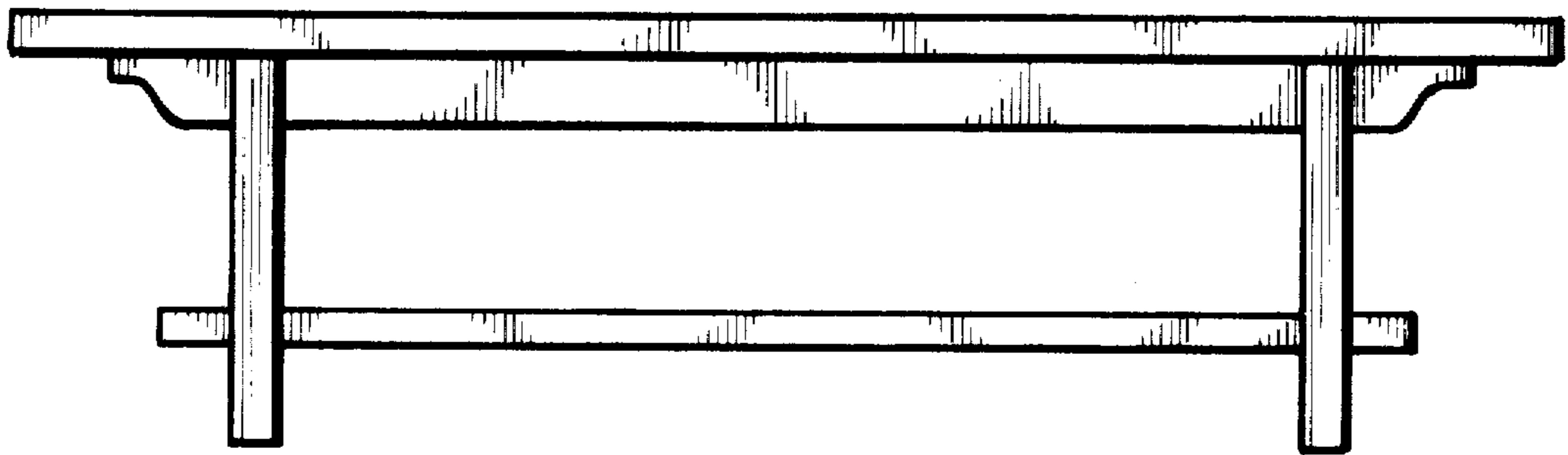


Fig. 3.

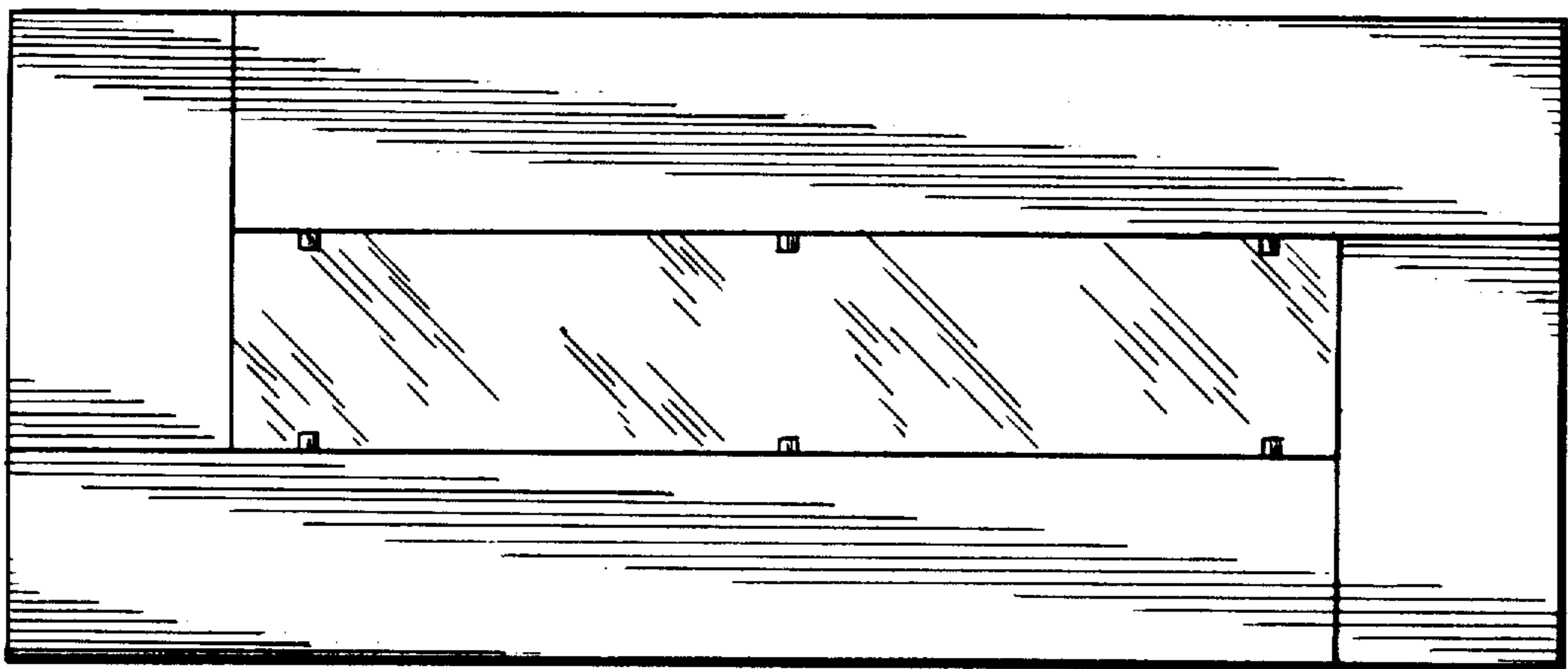


Fig. 4.

