

[54] COIN WALLET

[76] Inventor: William J. Stanley, 33 Davern Road, Brantford, Ontario, Canada

[**] Term: 14 Years

[21] Appl. No.: 575,190

[22] Filed: May 7, 1975

[51] Int. Cl. D3-01

[52] U.S. Cl. D87/3 B

[58] Field of Search D87/3 B, 3 R, 3 A; D19/26-33; 229/92.9, 8; 206/.8-.84, 472; 150/37, 41

[56] References Cited

U.S. PATENT DOCUMENTS

1,906,555 5/1933 Donnell 206/472
D71,153 9/1926 Moreland D19/31

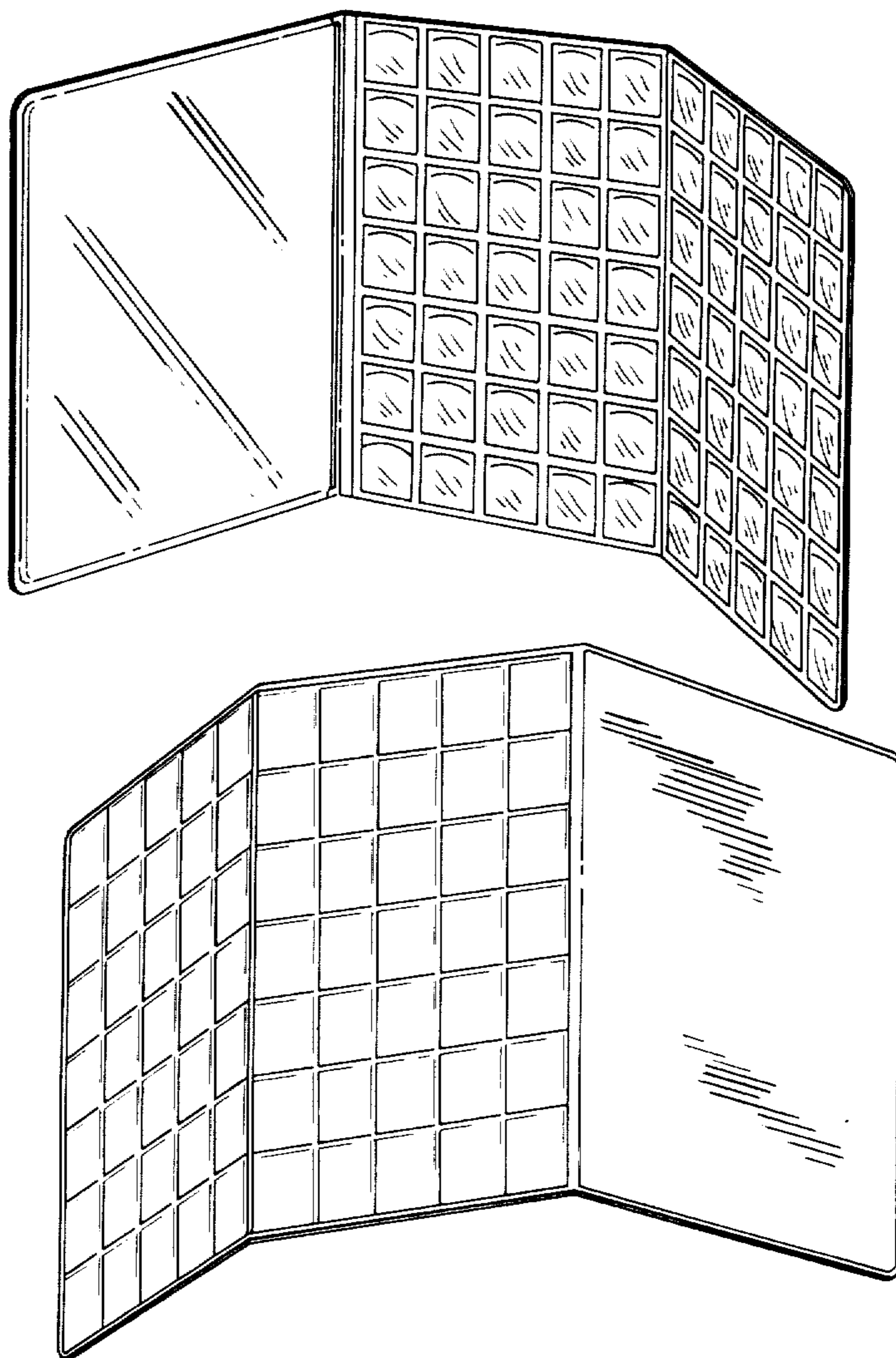
Primary Examiner—Nelson C. Holtje
Assistant Examiner—George P. Word
Attorney, Agent, or Firm—Stanley J. Rogers

[57] CLAIM

The ornamental design for a coin wallet, as shown and described.

DESCRIPTION

FIG. 1 is a front perspective view of a coin wallet showing my new design, and FIG. 2 is a bottom rear perspective view.



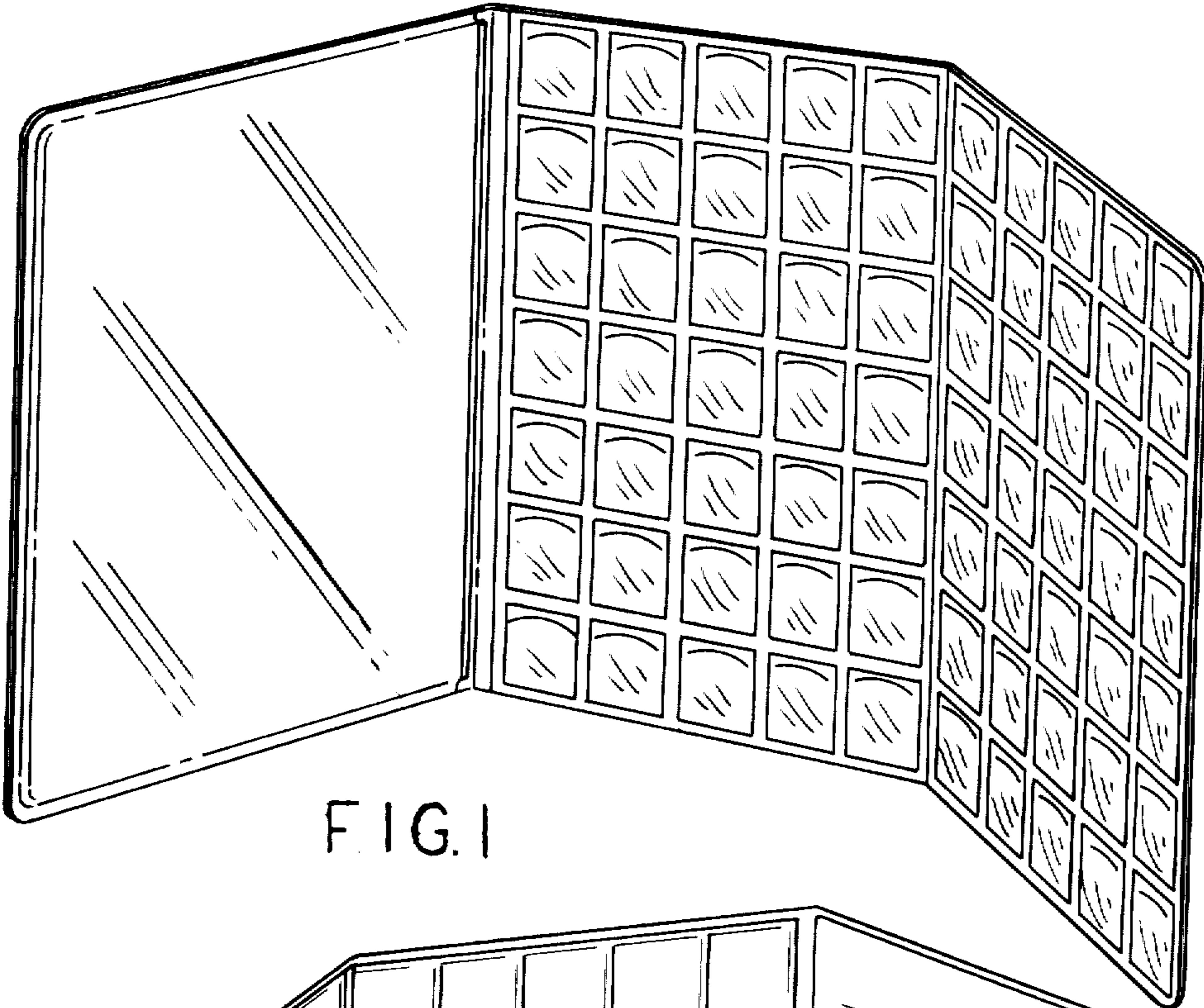


FIG. 1

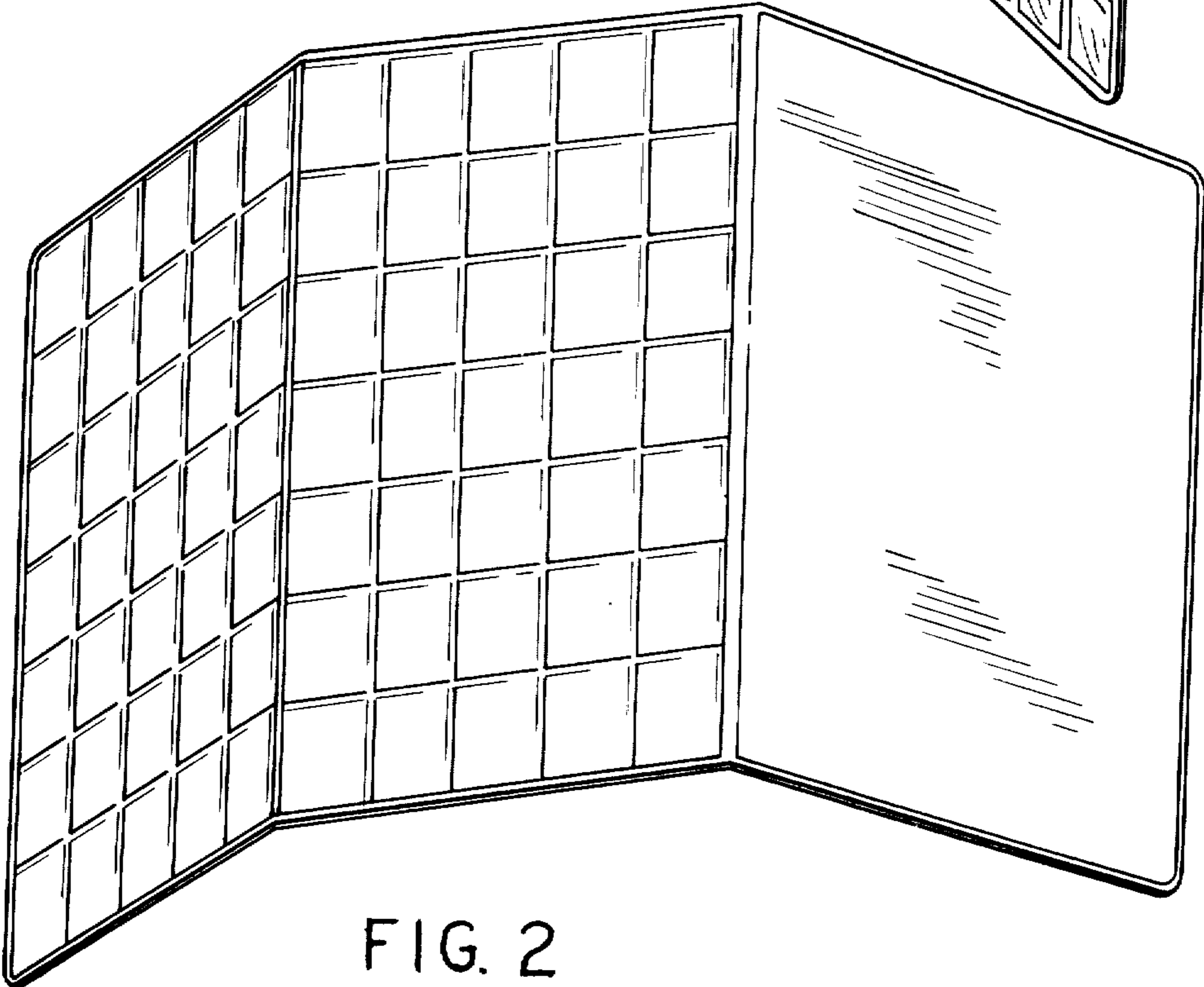


FIG. 2