

[54] TUBE BENDER

[76] Inventors: Samuel Grimaldo, 776 San Doval, Thousand Oaks, Calif. 91360; Leighton Harvey Watling, 1778 Ciprian Ave., Camarillo, Calif. 93010

[**] Term: 14 Years

[21] Appl. No.: 650,544

[22] Filed: Jan. 19, 1976

[51] Int. Cl. D15-09
[52] U.S. Cl. D15/123
[58] Field of Search D55/1 R, 1 F; 72/369; D54/13, 14 R, 14 A

[56]

References Cited

U.S. PATENT DOCUMENTS

3,650,140 3/1972 Zmuda 72/369 X
D188,768 9/1960 Hanson D55/1 R

Primary Examiner—Alan P. Douglas
Attorney, Agent, or Firm—Ralph B. Pastoriza

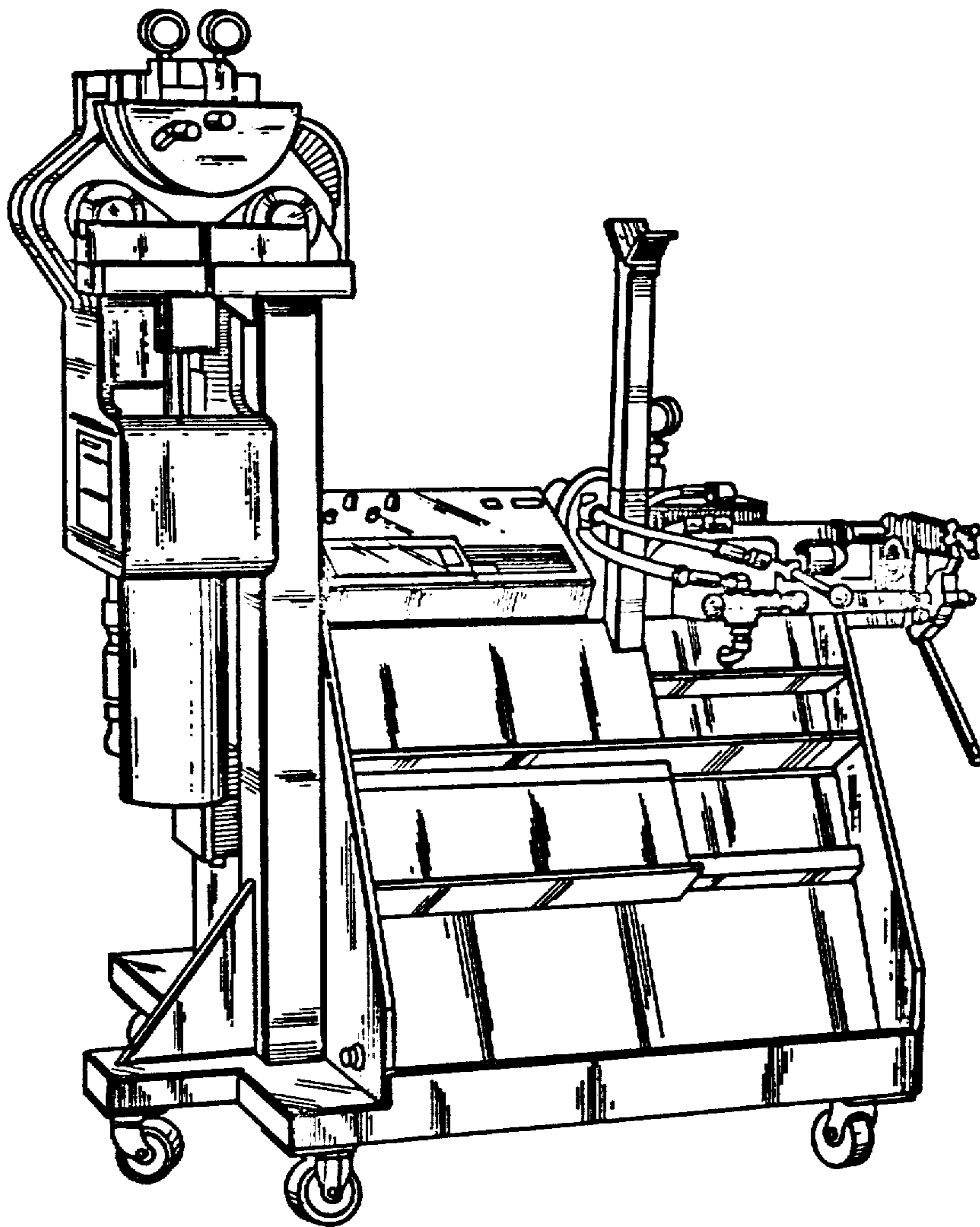
[57]

CLAIM

The ornamental design for a tube bender, substantially as shown.

DESCRIPTION

FIG. 1 is a perspective view of a tube bender showing our new design;
FIG. 2 is a side elevational view showing the side opposite that shown in FIG. 1;
FIG. 3 is a top plan view thereof;
FIG. 4 is a left end view thereof; and,
FIG. 5 is a right end view thereof.



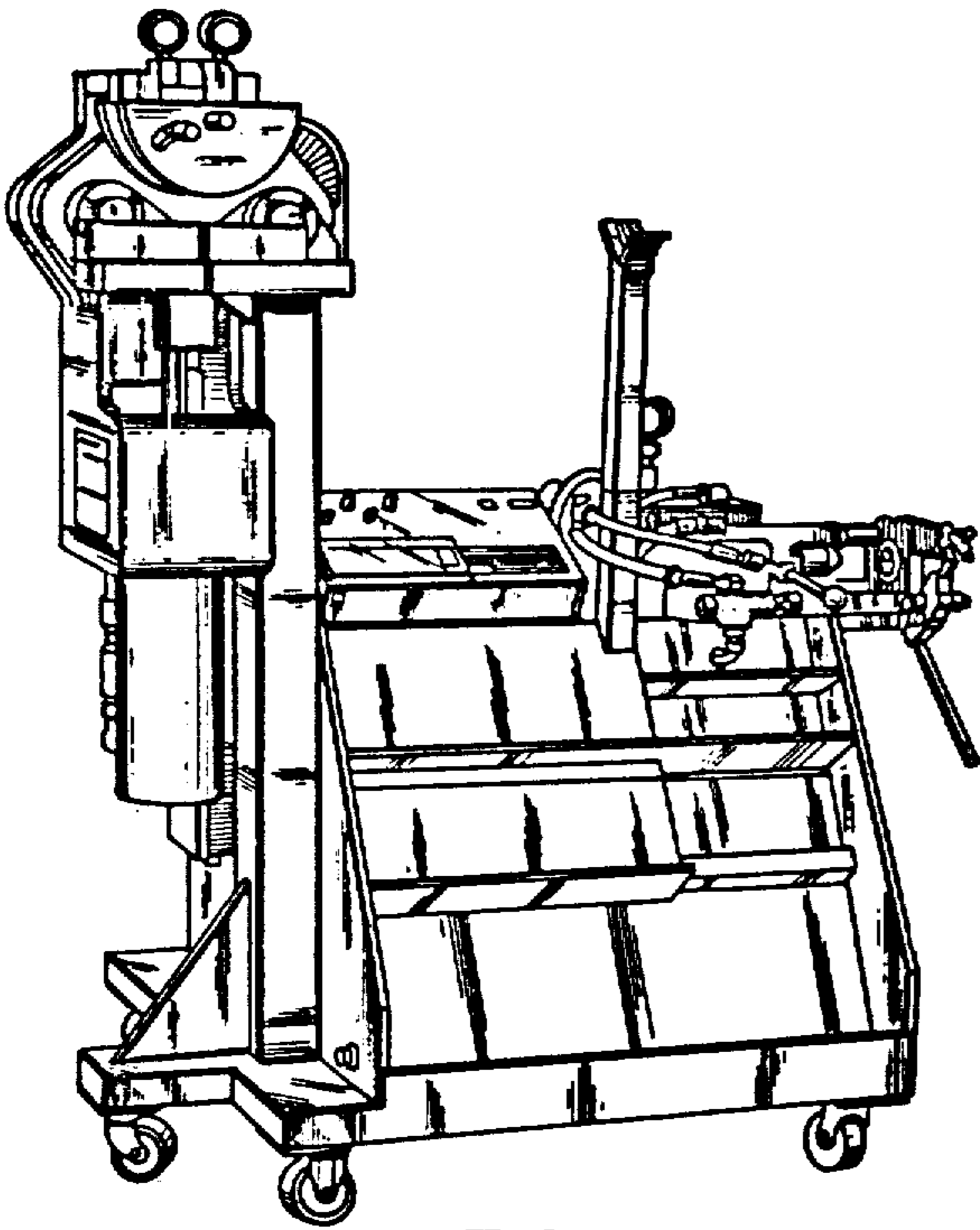


FIG. 1

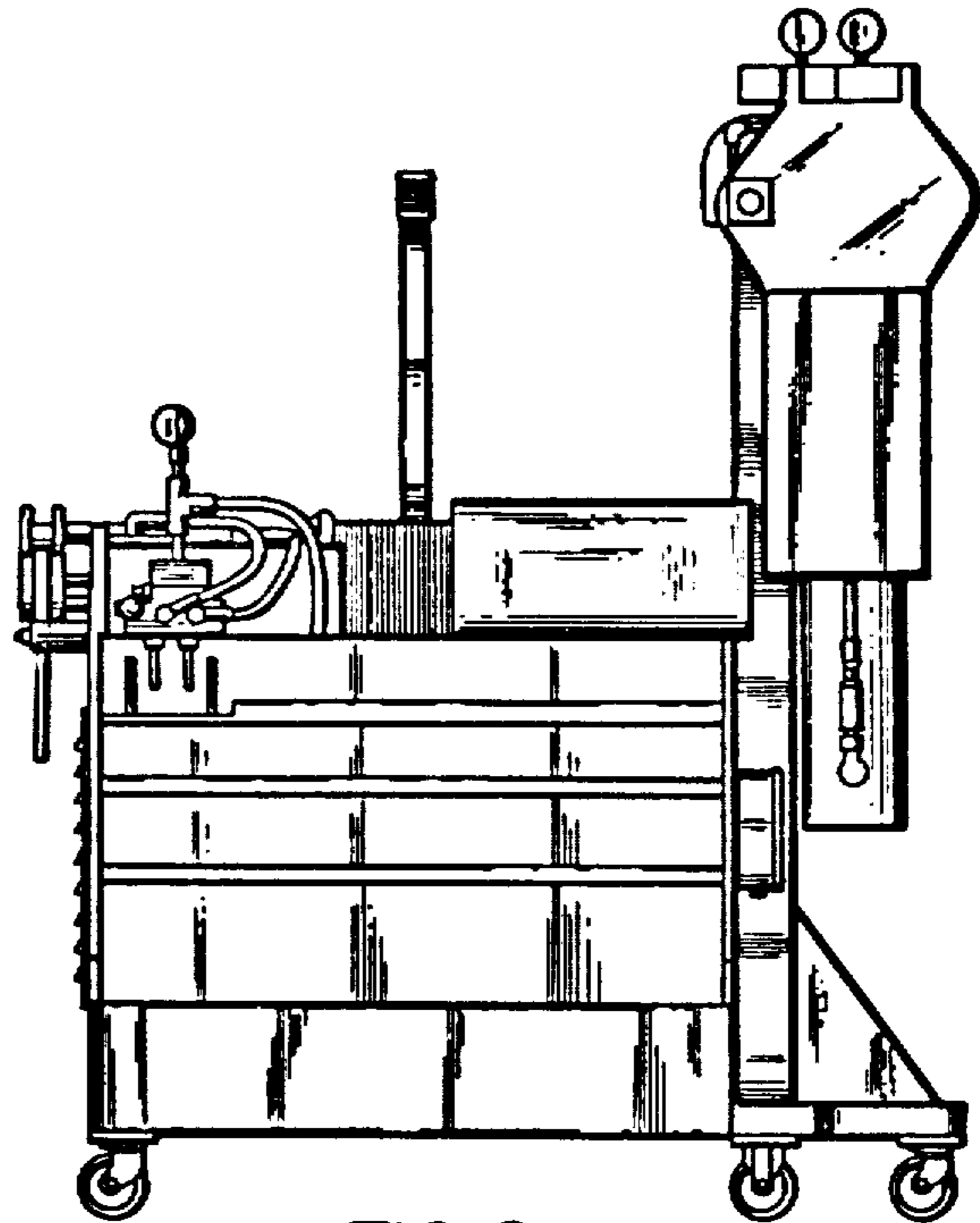


FIG. 2

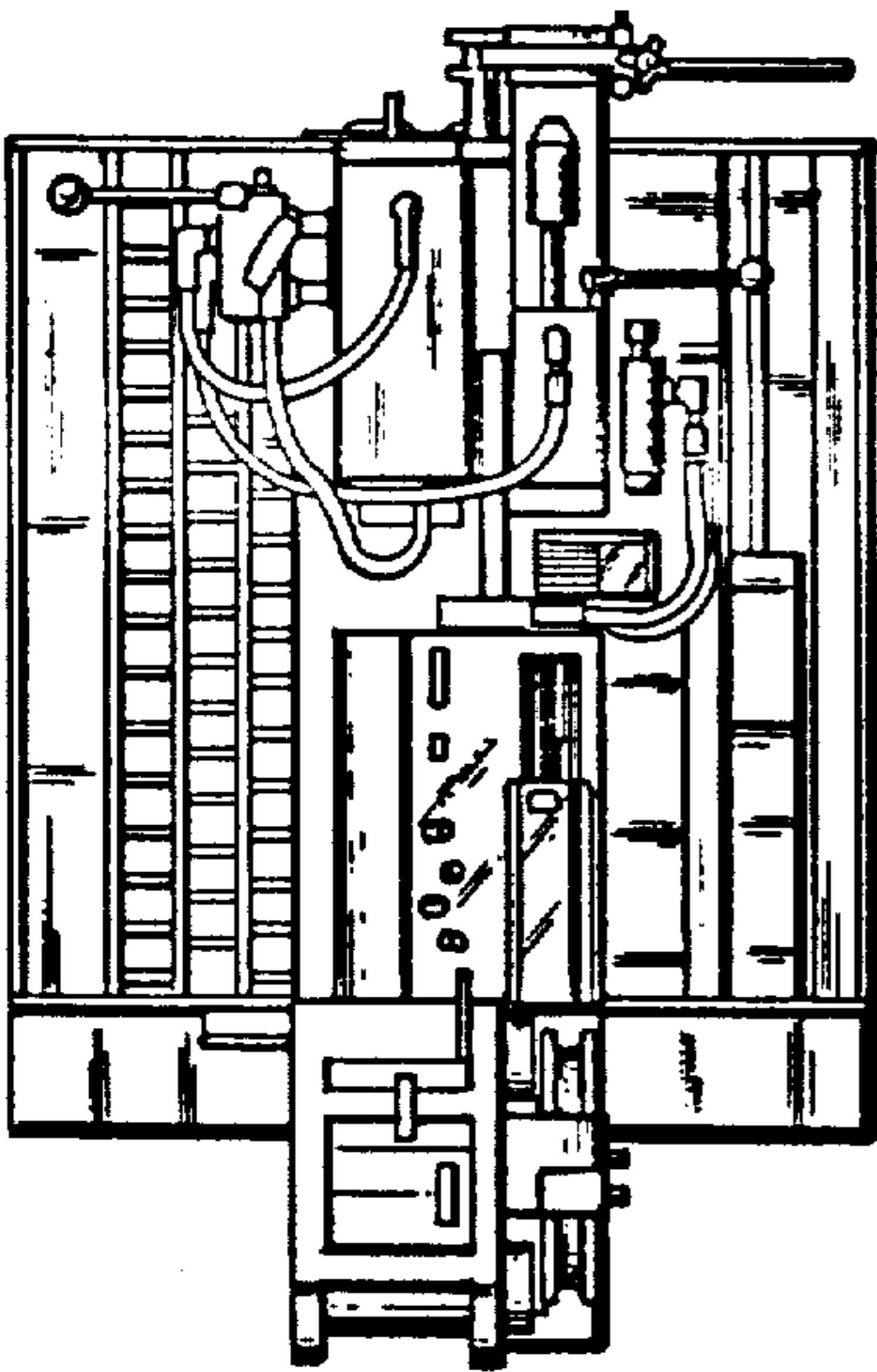


FIG. 3

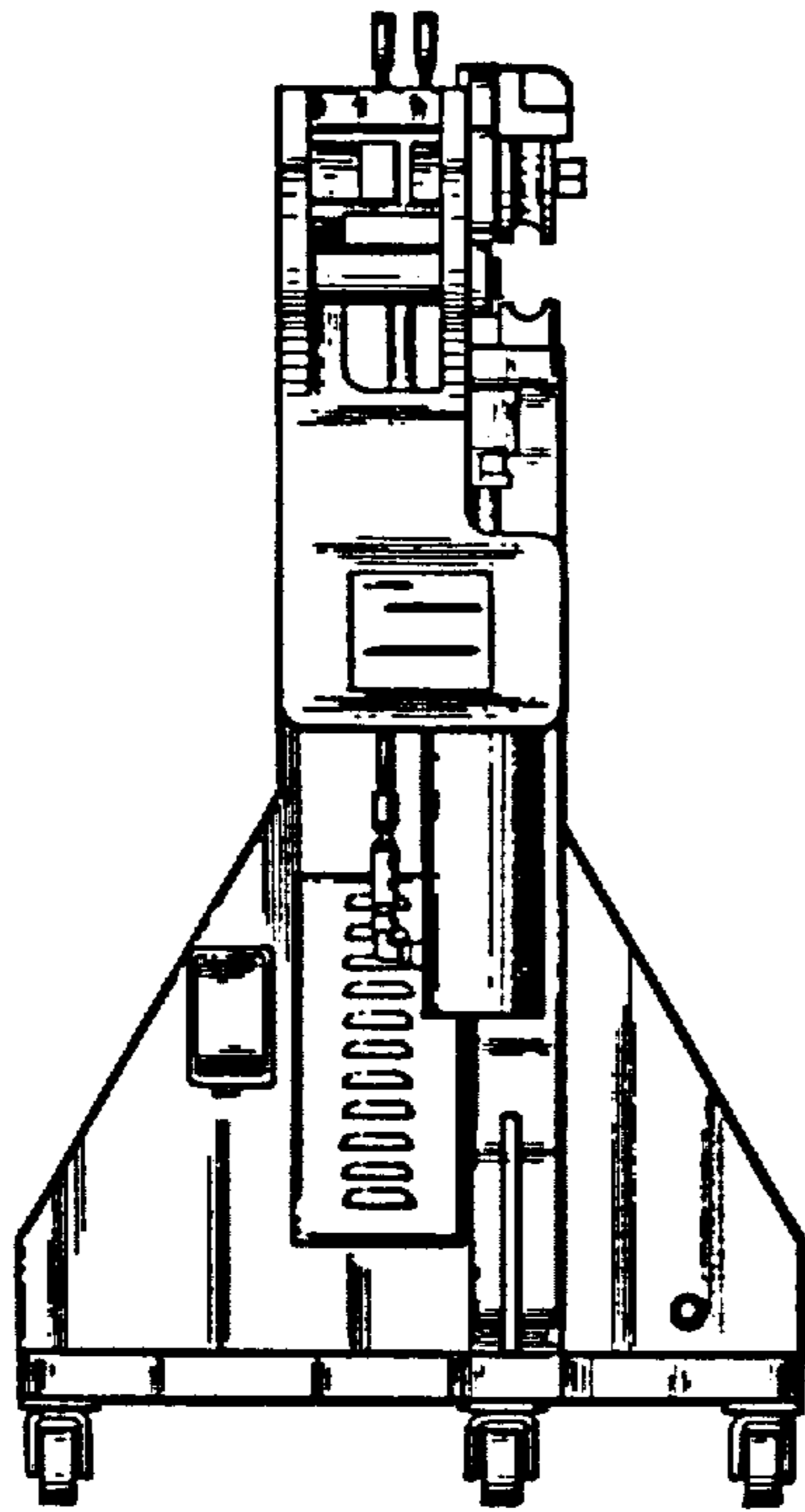


FIG. 4

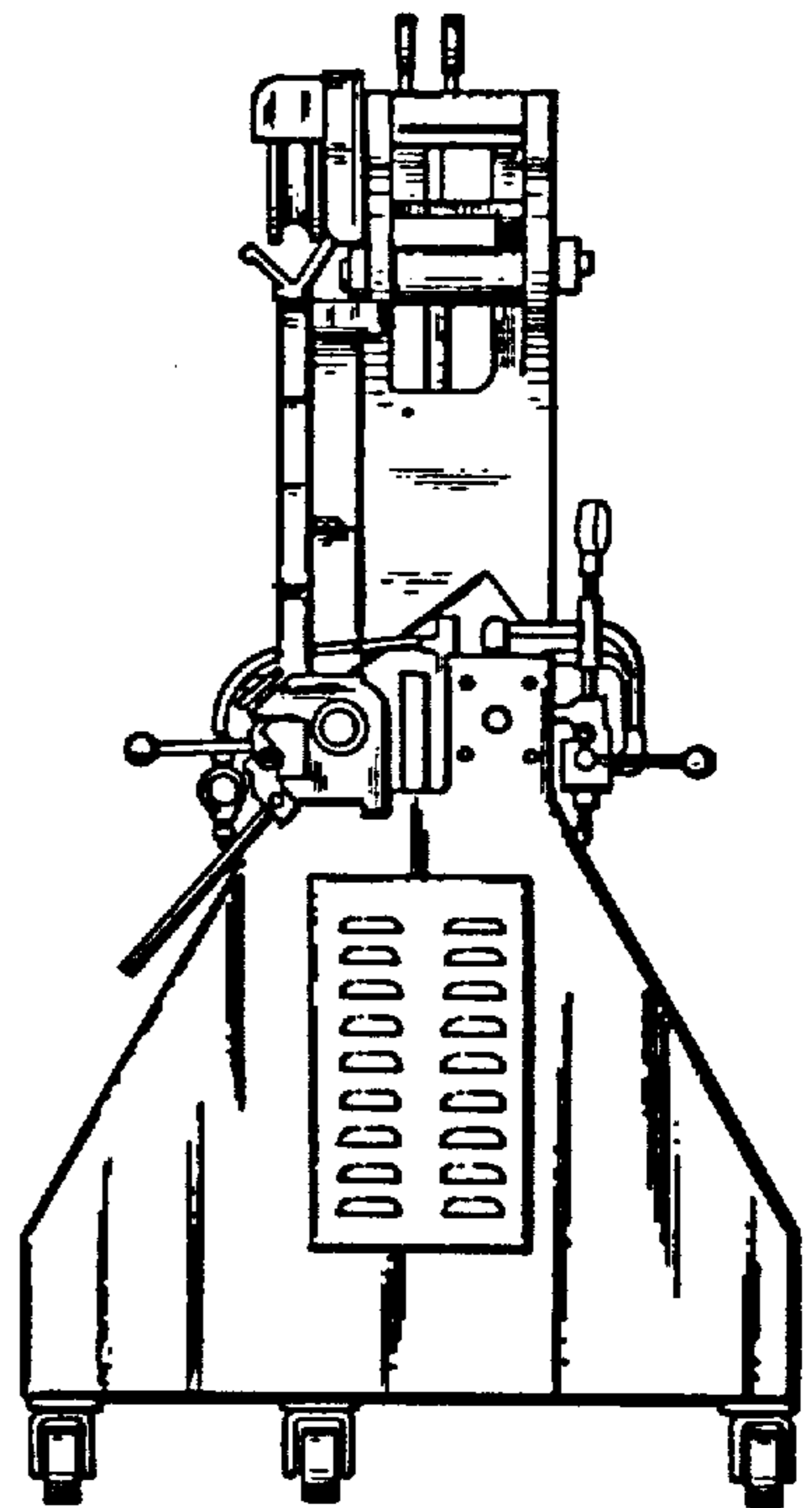


FIG. 5