

[54] DEEP FAT FRYER

[75] Inventor: Glenn N. Graham, Cheyenne, Wyo.

[73] Assignee: Wyott Corporation, Cheyenne, Wyo.

[\*\*] Term: 14 Years

[21] Appl. No.: 604,845

[22] Filed: Aug. 14, 1975

[51] Int. Cl. .... D15-08

[52] U.S. Cl. .... D15/104

[58] Field of Search ..... D55/1 E; D7/95, 96;  
99/411, 330, 336, 446, 407, 408, 403;  
219/437, 523

[56] References Cited

U.S. PATENT DOCUMENTS

3,242,849	3/1966	Wells	99/336 UX
3,512,473	5/1970	Moore et al.	99/336 X
3,525,299	8/1970	Gouwens et al.	99/403 X
3,720,155	3/1973	Fritzsche	219/437 X
3,938,498	2/1976	Price	219/437 X
D215,383	9/1969	Moore et al.	D55/1 E

Primary Examiner—Wallace R. Burke  
Assistant Examiner—Kemper Catherine  
Attorney, Agent, or Firm—Edwin L. Spangler, Jr.

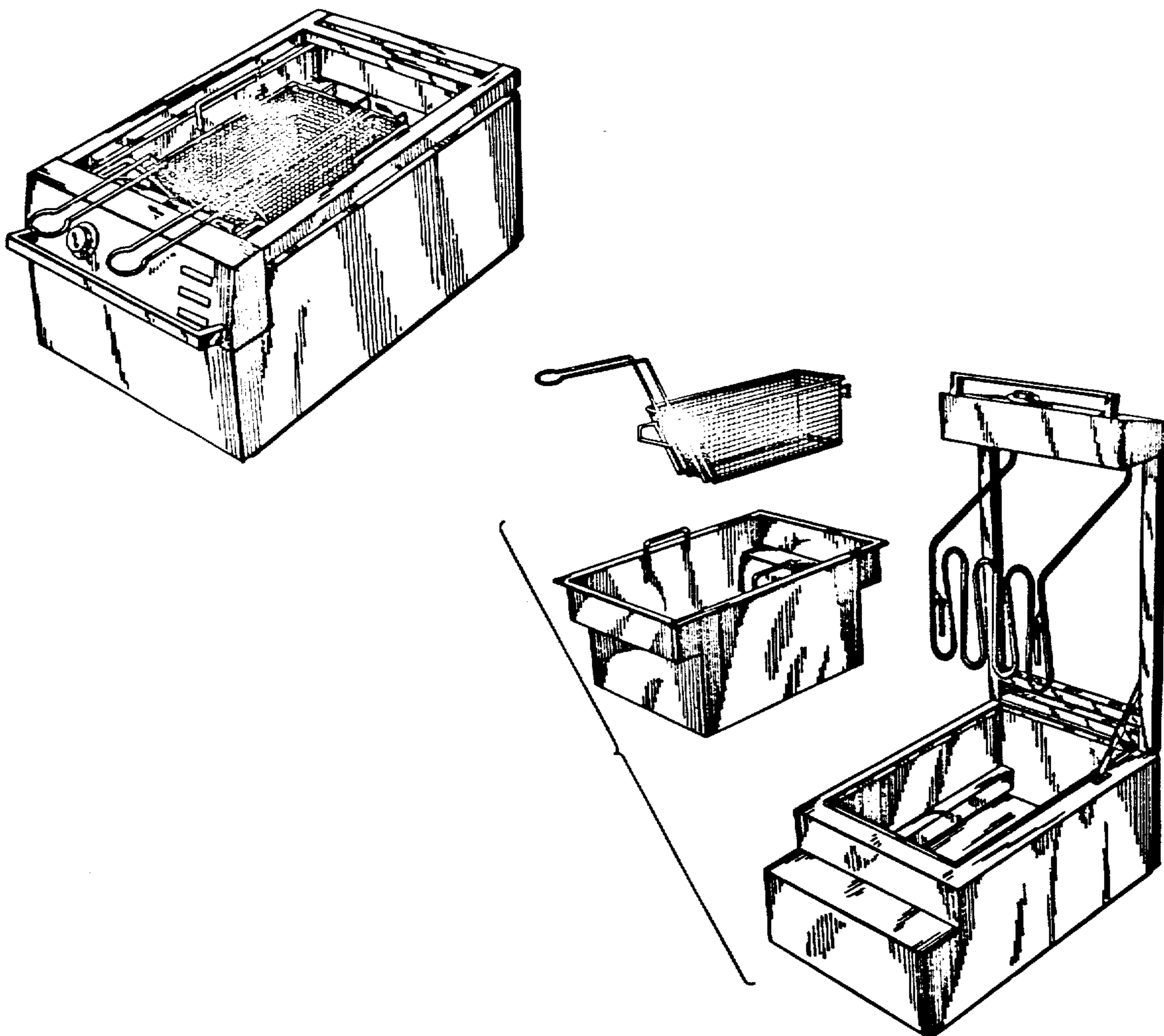
[57] CLAIM

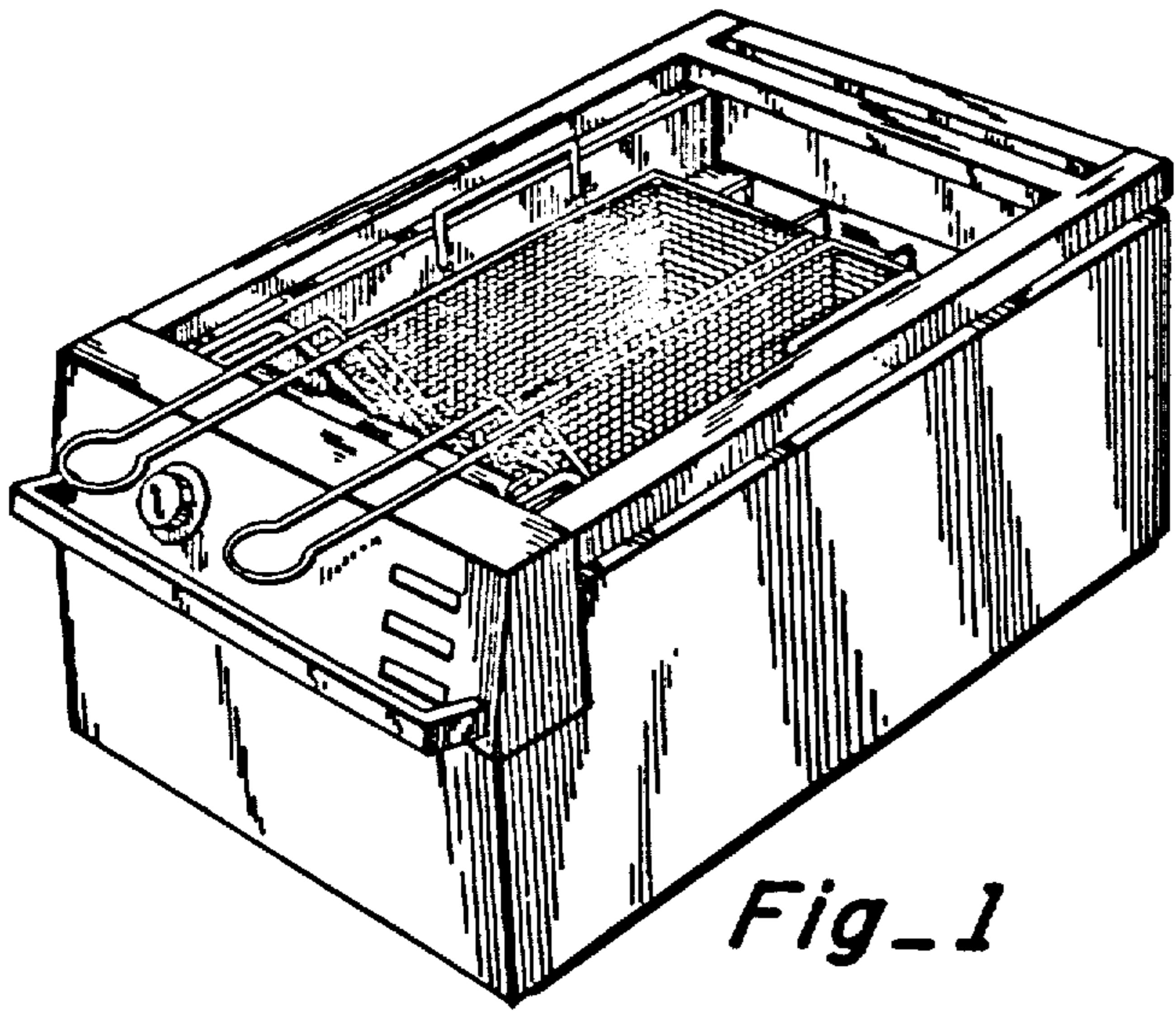
The ornamental design for a deep fat fryer, as shown and described.

DESCRIPTION

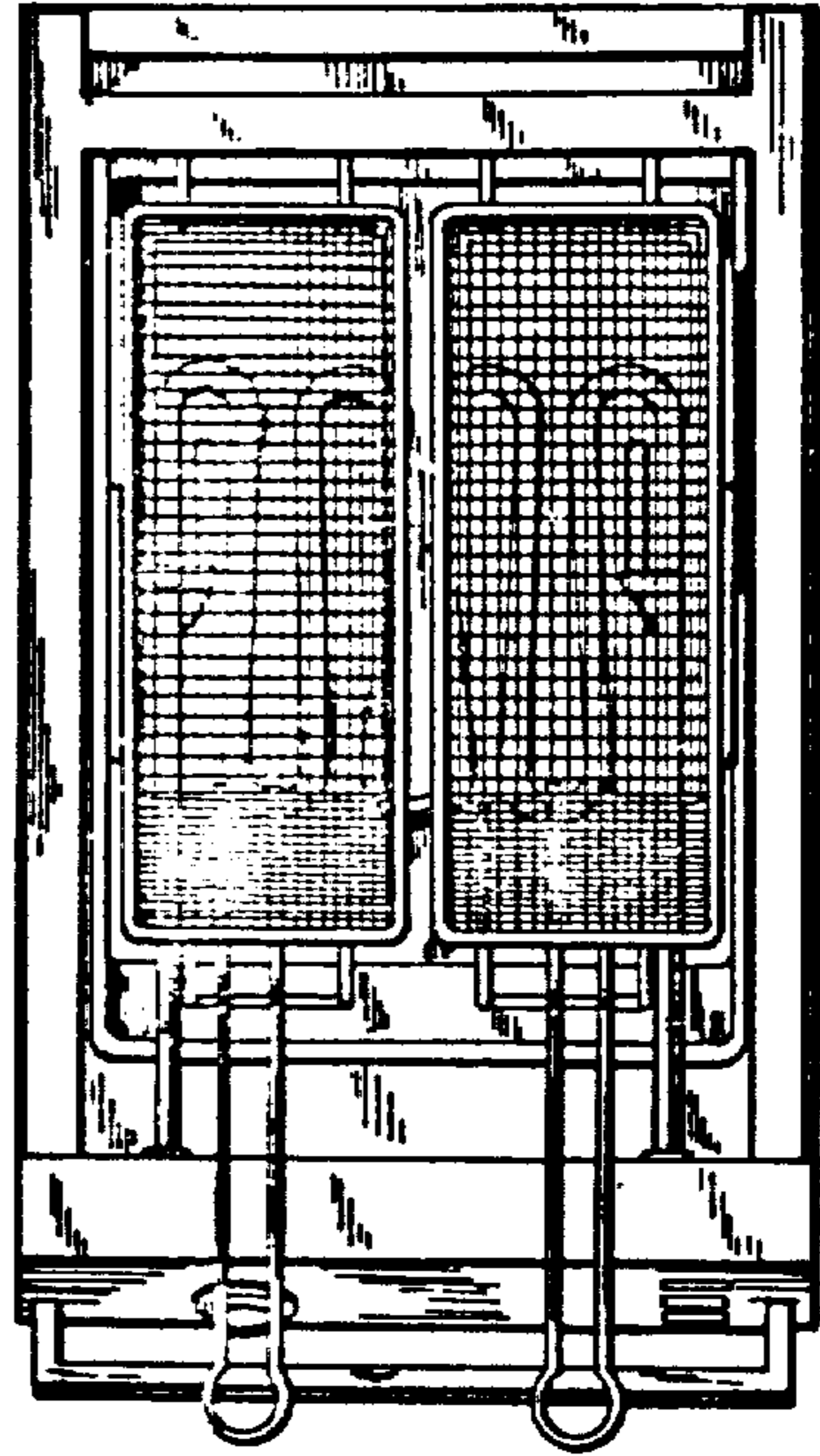
FIG. 1 is a perspective view of a deep fat fryer showing my new design;  
FIG. 2 is a top plan view thereof;  
FIG. 3 is a front elevation thereof;  
FIG. 4 is a rear elevation;  
FIG. 5 is a left side elevation;  
FIG. 6 is a bottom plan view; and,  
FIG. 7 is an exploded perspective view showing the lid raised and the basket and reservoir removed to more clearly reveal the shape of the interior surfaces.

Only one basket has been shown in FIG. 7 for convenience of illustration.

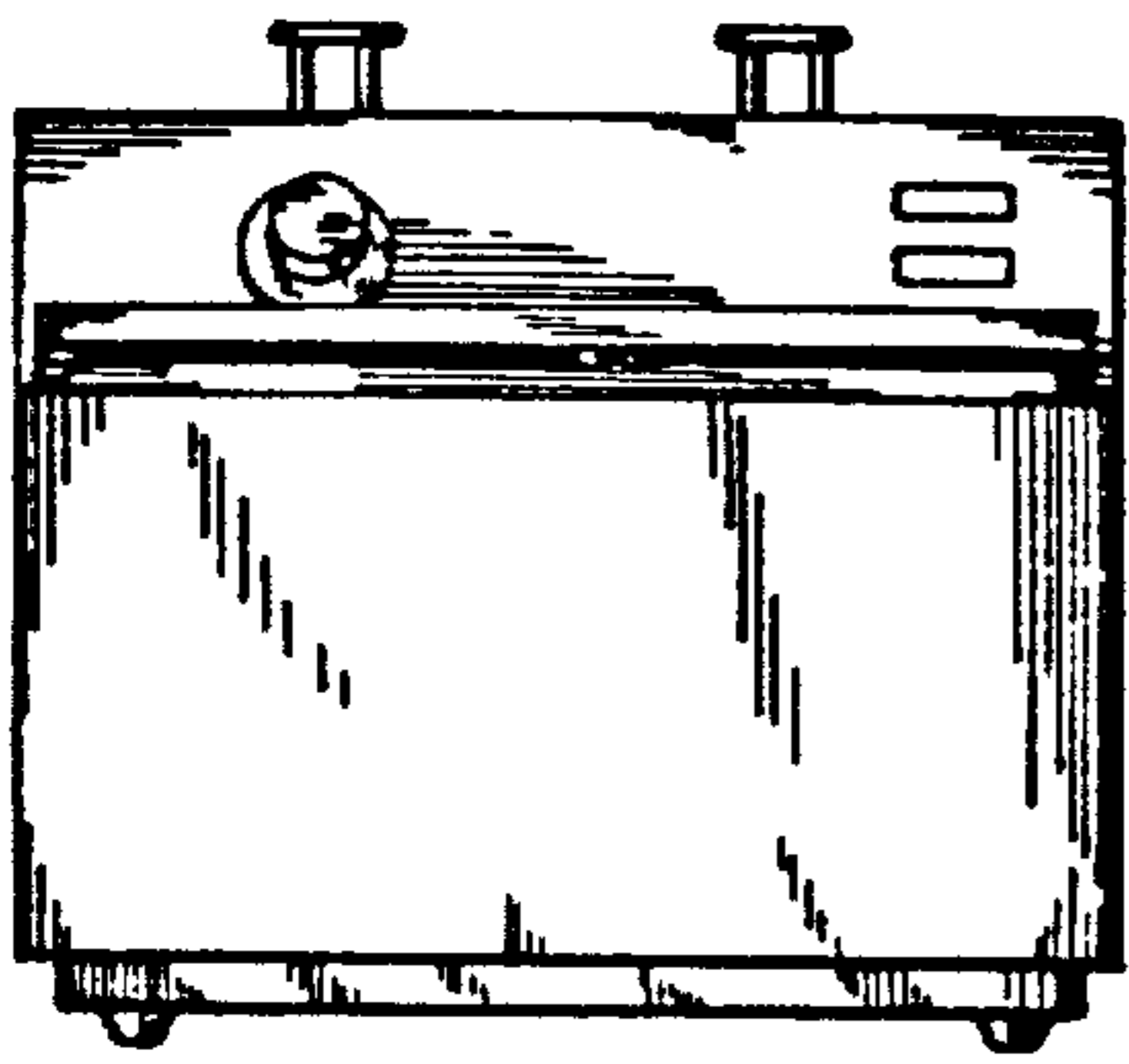




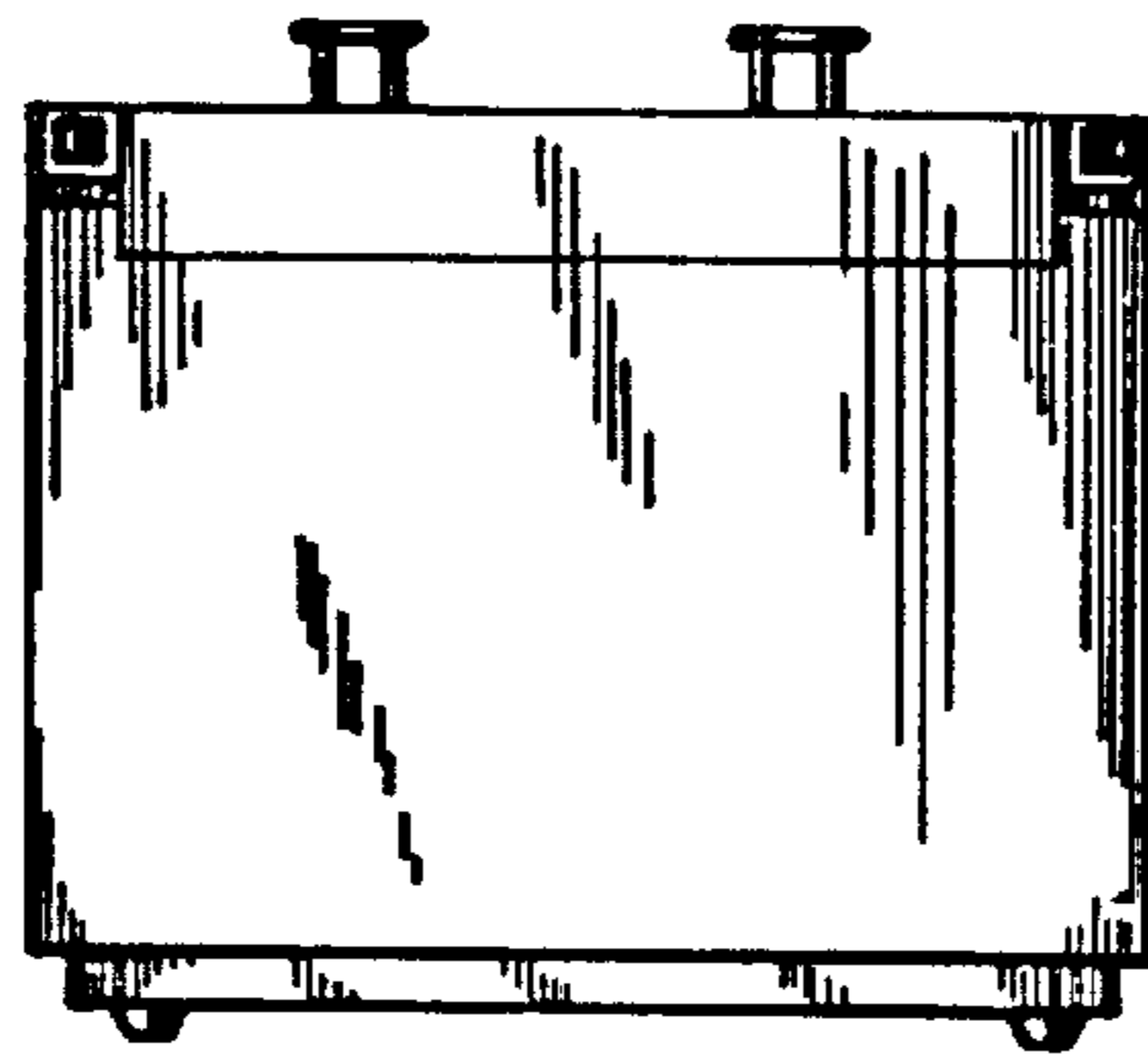
Fig\_1



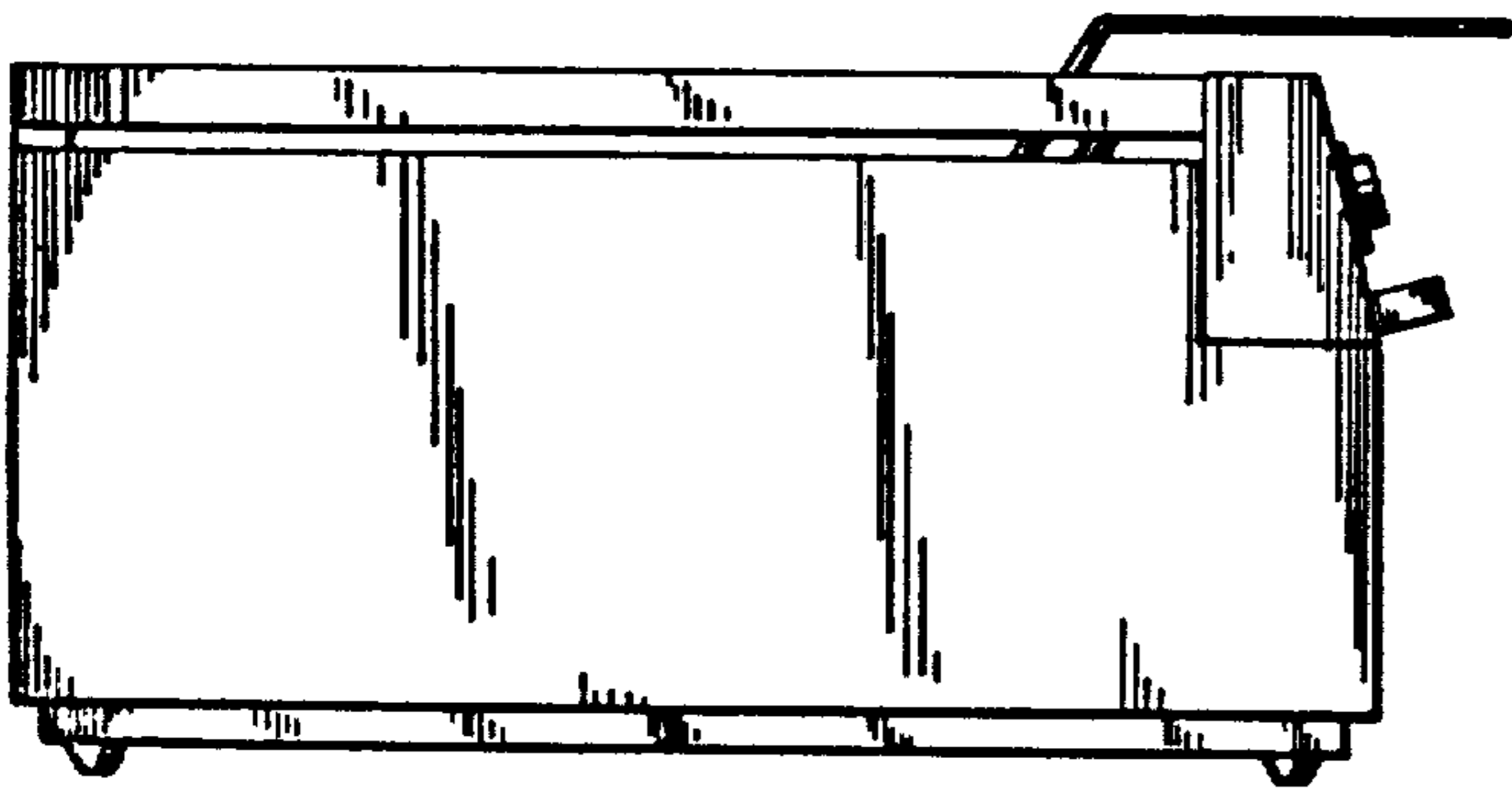
Fig\_2



Fig\_3



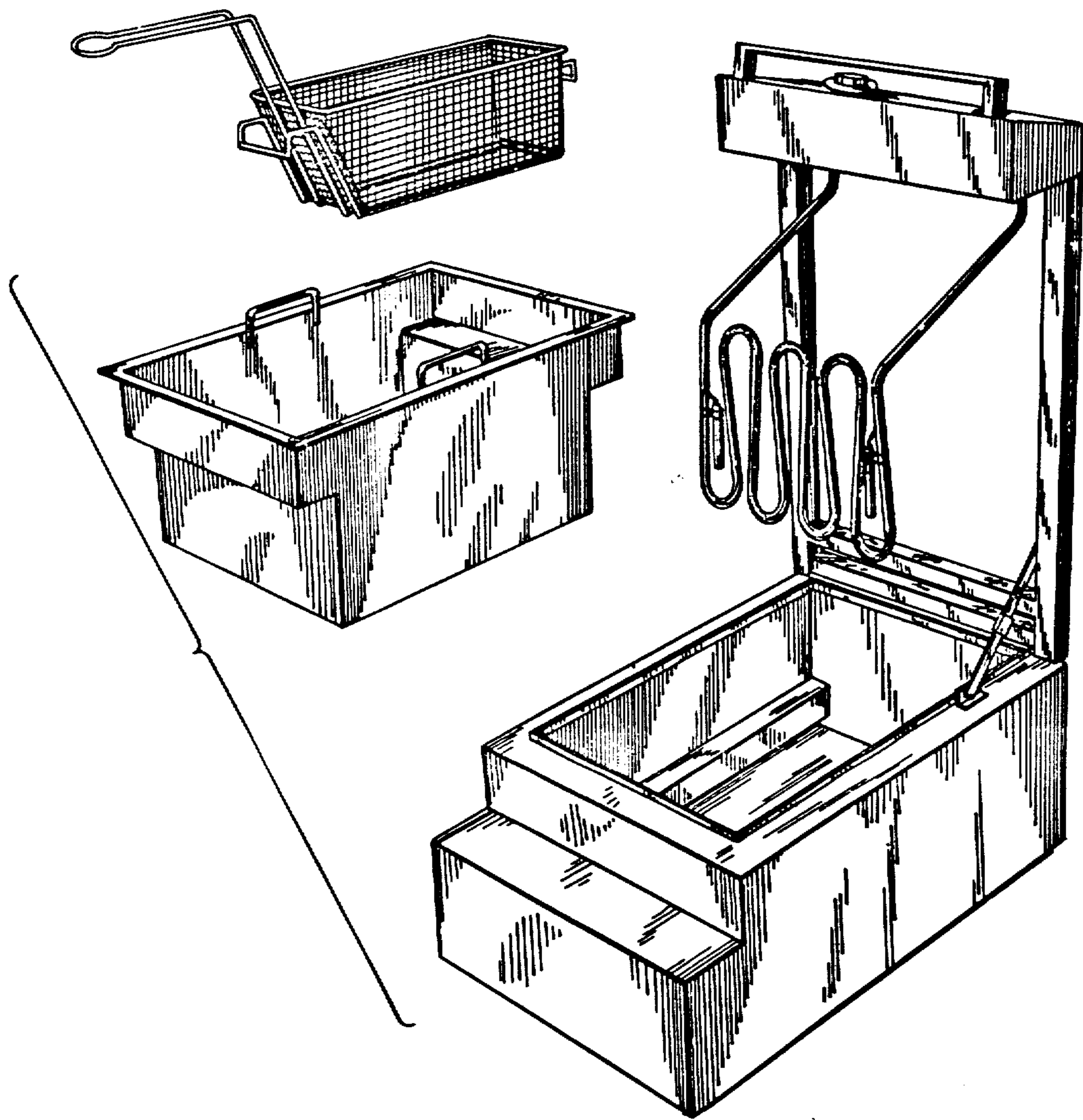
Fig\_4



Fig\_5



Fig\_6



*Fig -7*