

[54] FOLDING AND SMOOTHING MACHINE FOR SKIRTS AND THE LIKE

[75] Inventor: Osmo Viljam Harjapaa, Boras, Sweden

[73] Assignee: AB Calator, a joint stock company, Boras, Sweden

[\*\*] Term: 14 Years

[21] Appl. No.: 559,976

[22] Filed: Mar. 19, 1975

[51] Int. Cl. .... D15-05

[52] U.S. Cl. .... D15/42

[58] Field of Search ..... D49/1 R, 1 A; 38/1 R, 38/1 A, 3; 223/28, 51, 57

[56] References Cited

U.S. PATENT DOCUMENTS

2,405,491	8/1946	Clark .....	38/1 A
2,608,322	11/1950	Hansen et al. ....	223/28
2,884,167	4/1959	Rogers .....	38/3 X
3,559,983	2/1971	Sjostrom .....	38/1 R
D148,828	2/1948	Tsaarda .....	D49/1 R
D225,451	12/1972	Jimenez .....	D49/1 R

OTHER PUBLICATIONS

Prosperity Company, rec'd 3-26-31, Unit 2, Finishing and Folding Table.

Primary Examiner—Wallace R. Burke

Assistant Examiner—C. Nucker

Attorney, Agent, or Firm—Henry H. Skillman

[57] CLAIM

The ornamental design for a folding and smoothing machine for skirts and the like, substantially as shown.

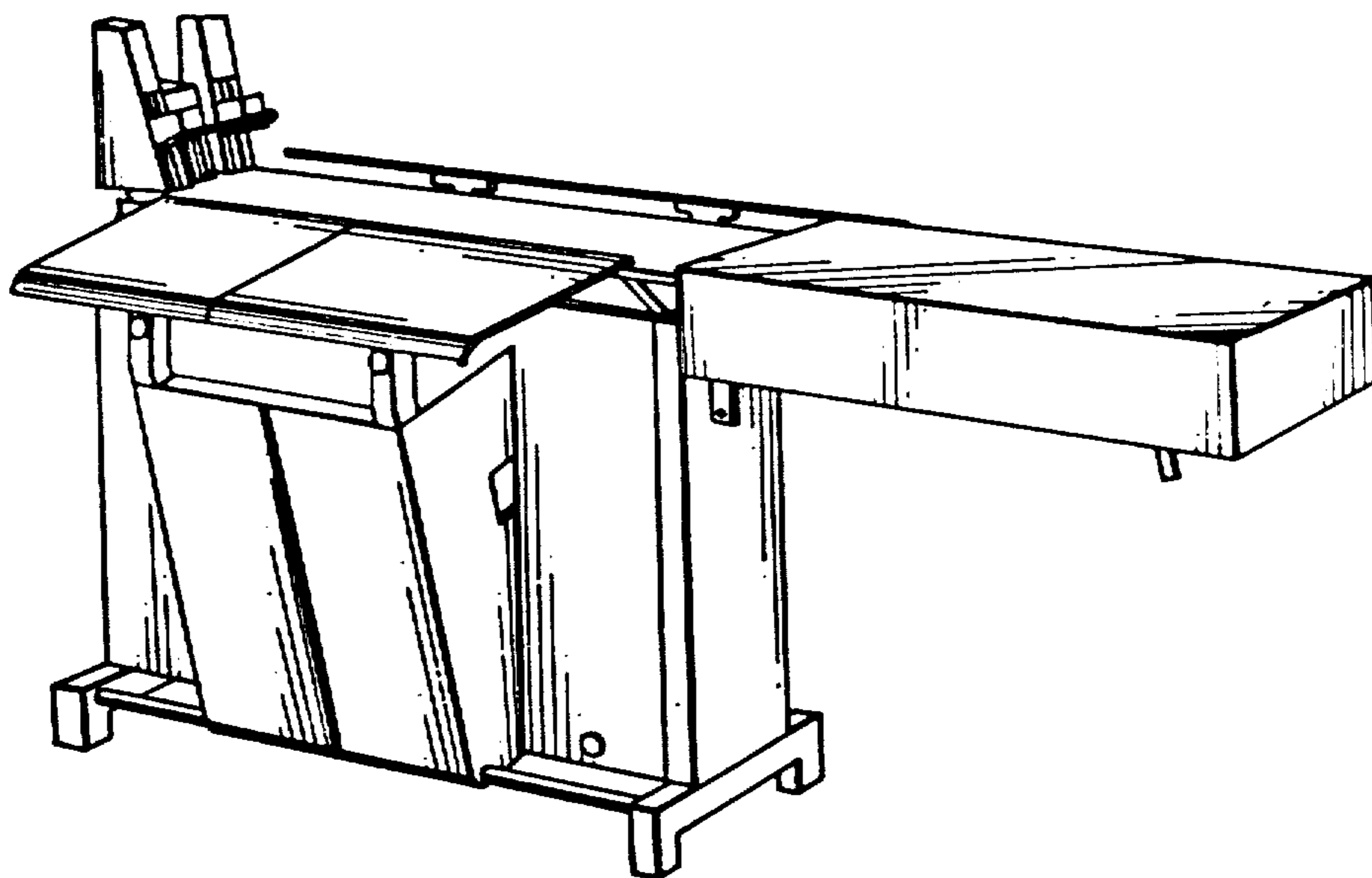
DESCRIPTION

FIG. 1 is a front view of a folding and smoothing machine for skirts and the like embodying my new design; FIG. 2 is a bottom view of the machine shown in FIG. 1;

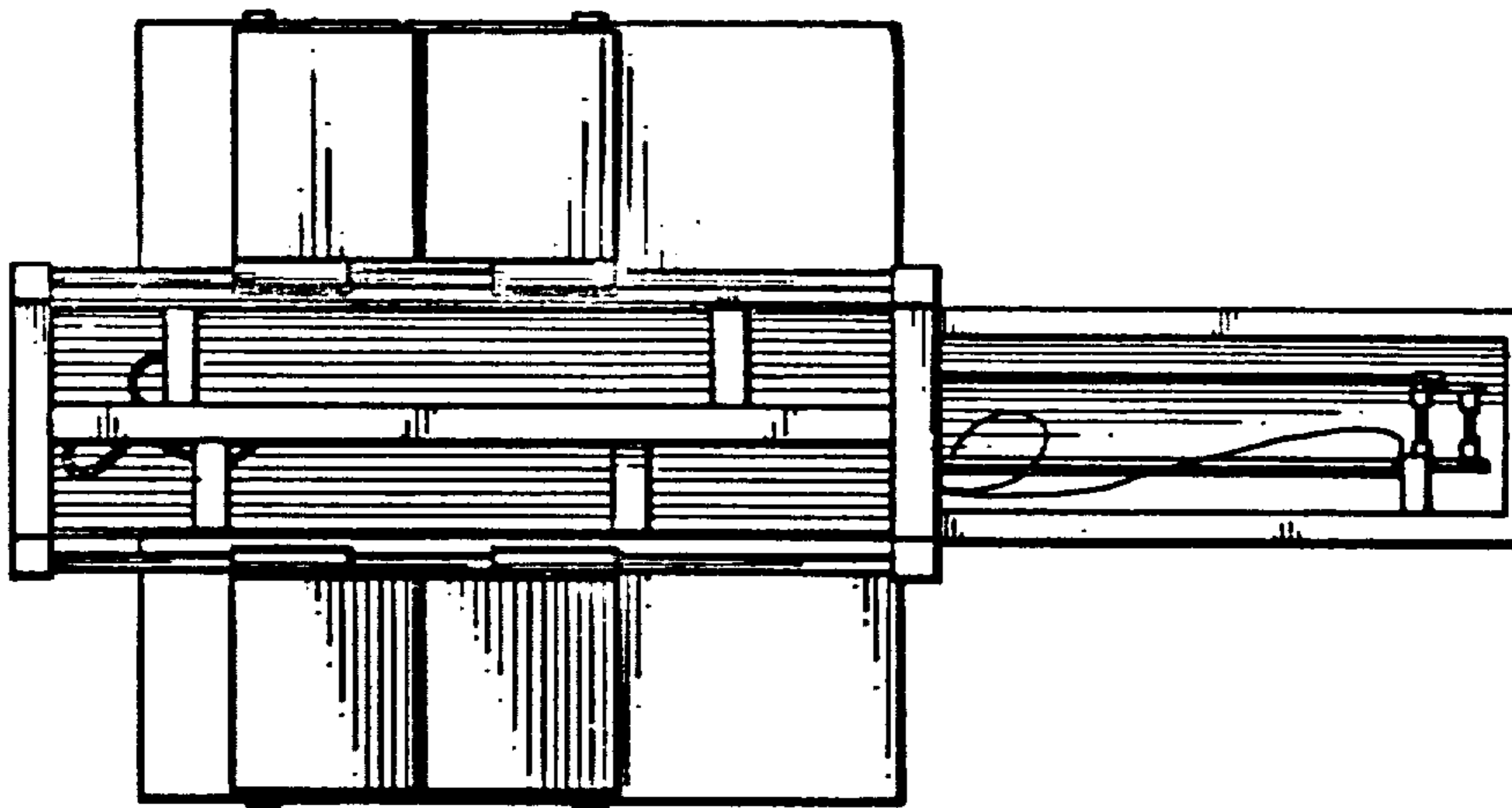
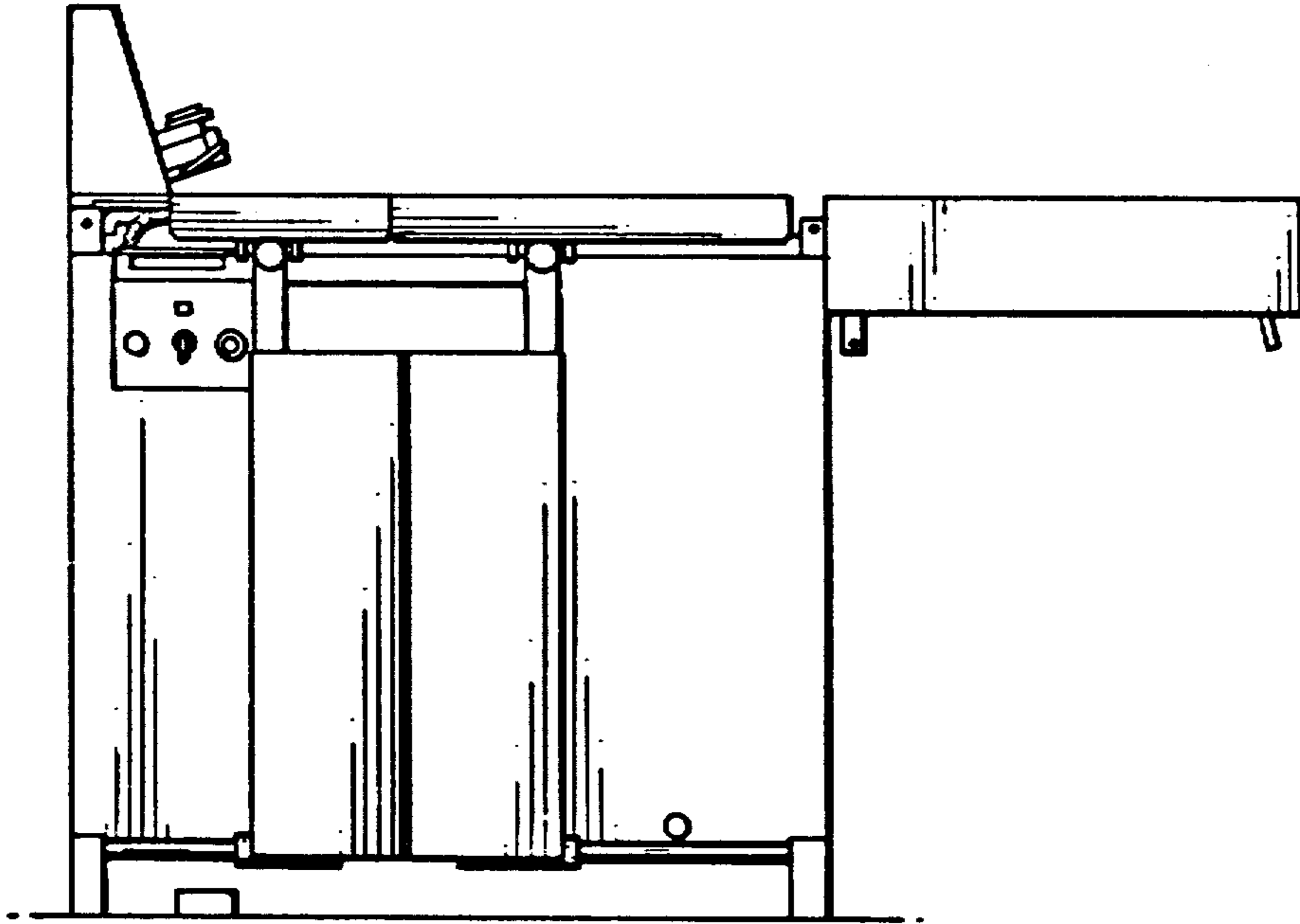
FIG. 3 is a back view of the machine shown in FIG. 1; FIG. 4 is a top view of the machine shown in FIG. 3; FIG. 5 is a view of the lefthand end of the machine shown in FIG. 3;

FIG. 6 is a view of the righthand end of the machine shown in FIG. 3; and

FIG. 7 is a perspective view looking toward the right front corner of the machine in FIG. 1.

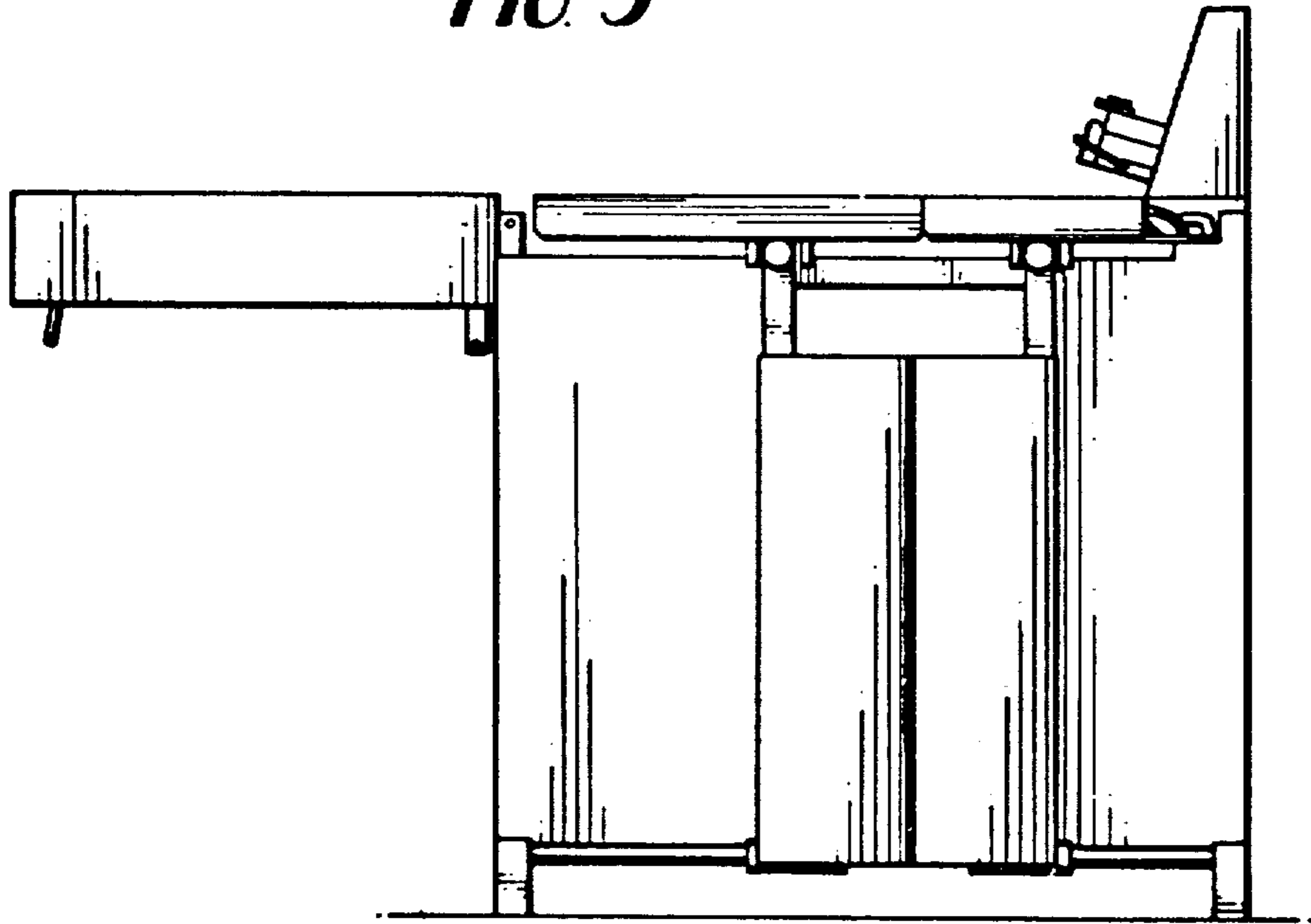


*FIG 1*

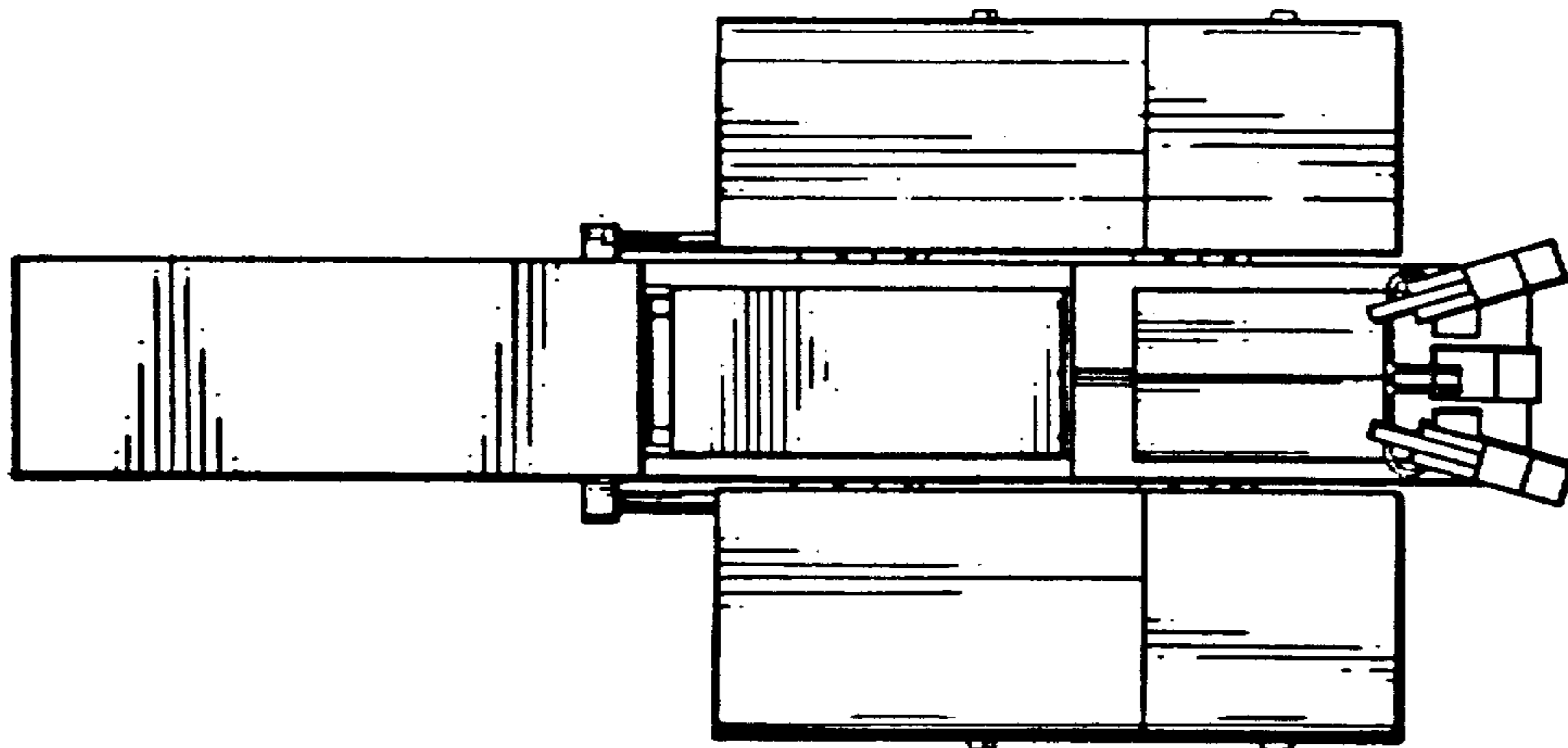


*FIG 2*

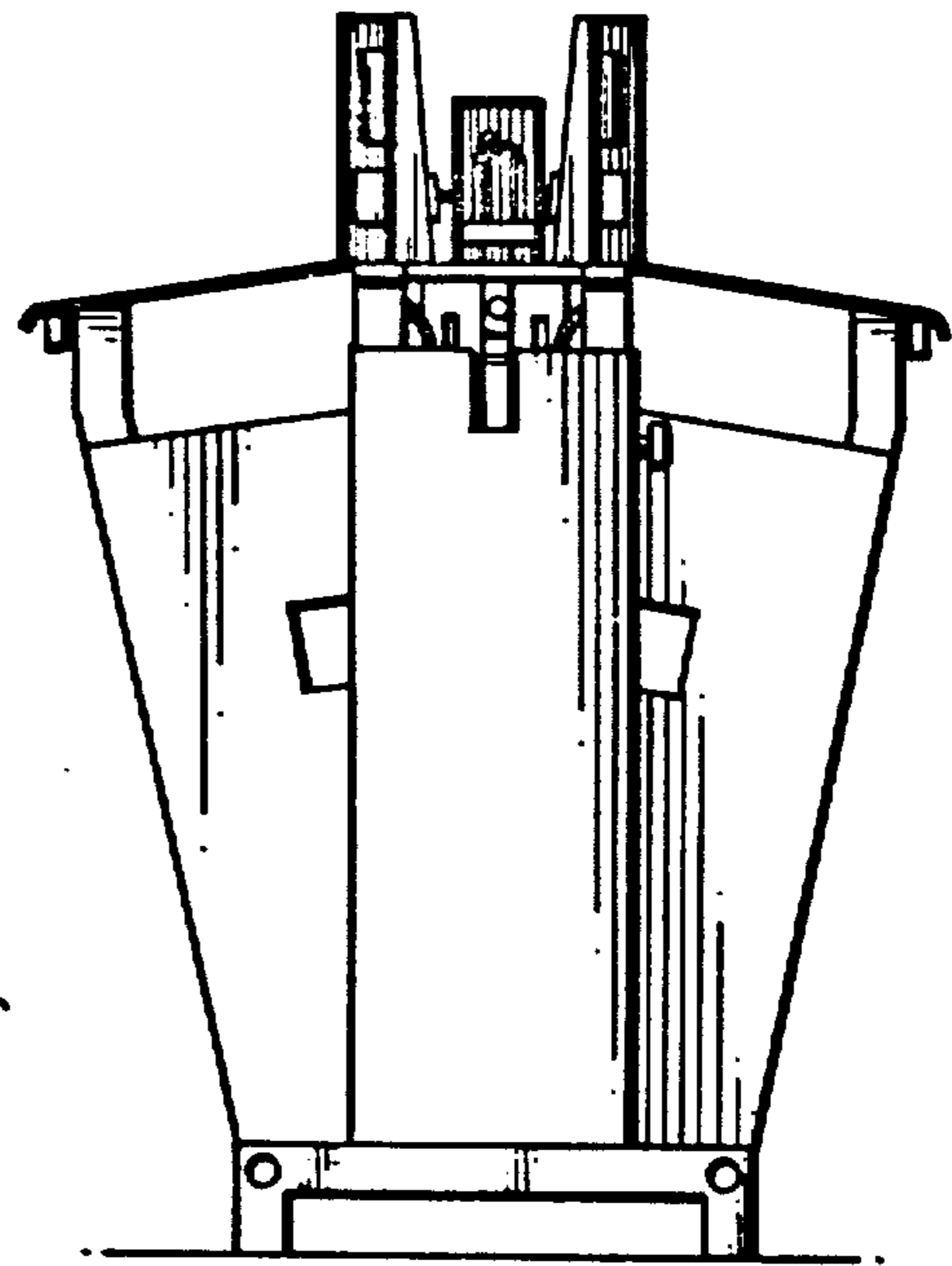
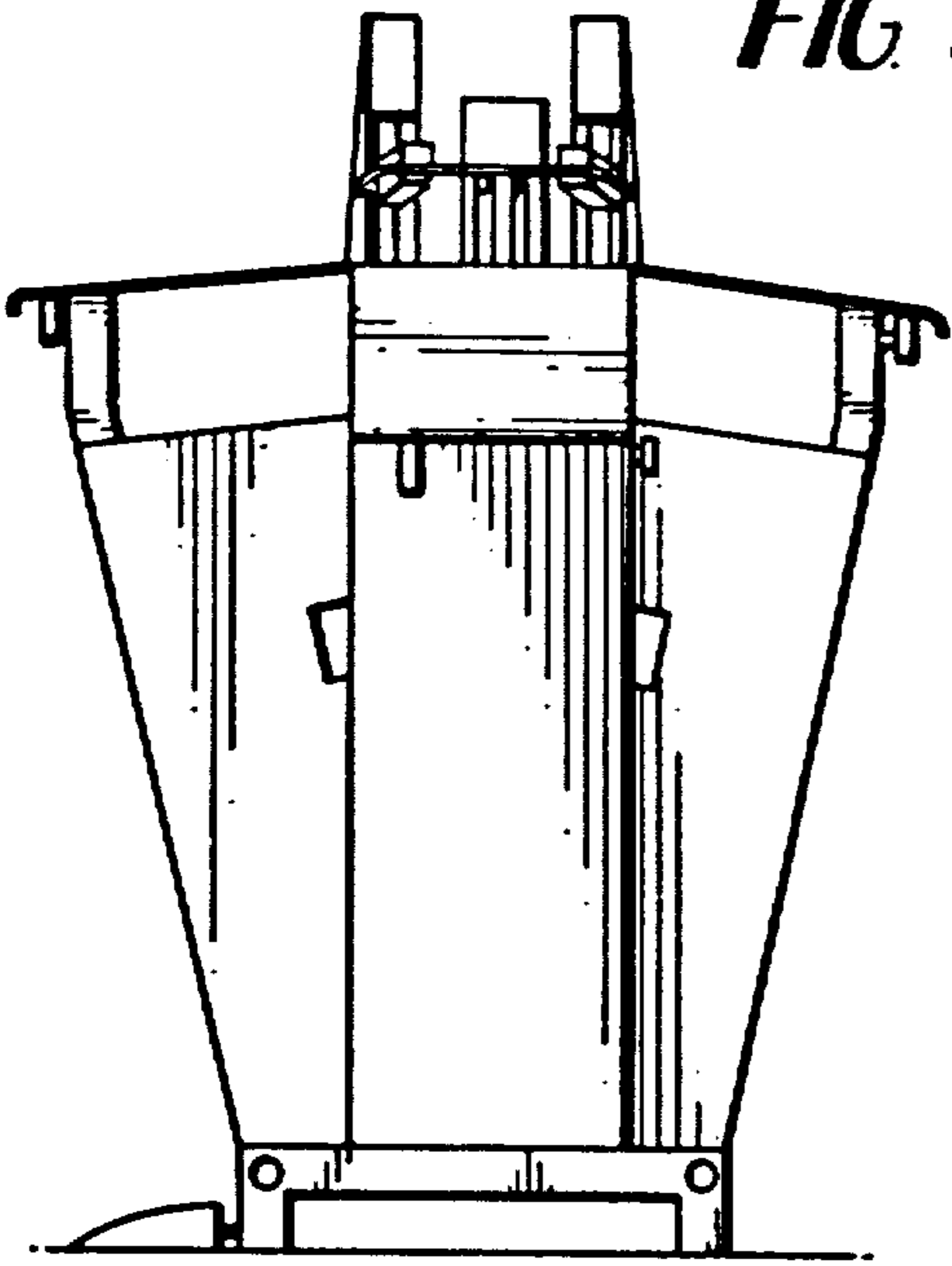
*FIG. 3*



*FIG. 4*



*FIG 5*



*FIG 6*

*FIG 7*

