

[54] **LAMP**

[76] Inventor: **Charles R. Moore**, 1615 Merrifield,
Mishawaka, Ind. 46544

[**] Term: **14 Years**

[21] Appl. No.: **643,245**

[22] Filed: **Dec. 22, 1975**

[51] Int. Cl. **D26-03; D26-02**

[52] U.S. Cl. **D48/20 K**

[58] Field of Search **D48/20 K, 24 R;**
240/1.3, 3 R, 3.1, 10 R, 46.01, 46.03, 46.17,
41 R, 41.55

[56] **References Cited**

U.S. PATENT DOCUMENTS

| | | | | |
|-----------|---------|-----------|-------|-------------|
| 2,849,596 | 8/1958 | McDermott | | D48/24 R UX |
| 3,767,912 | 10/1973 | Faux | | 240/41.55 |
| D215,236 | 9/1969 | Roche | | D48/24 R |

FOREIGN PATENT DOCUMENTS

1,219,794 12/1959 France 240/3

Primary Examiner—Susie J. Mercer
Attorney, Agent, or Firm—Robert E. Woodhams

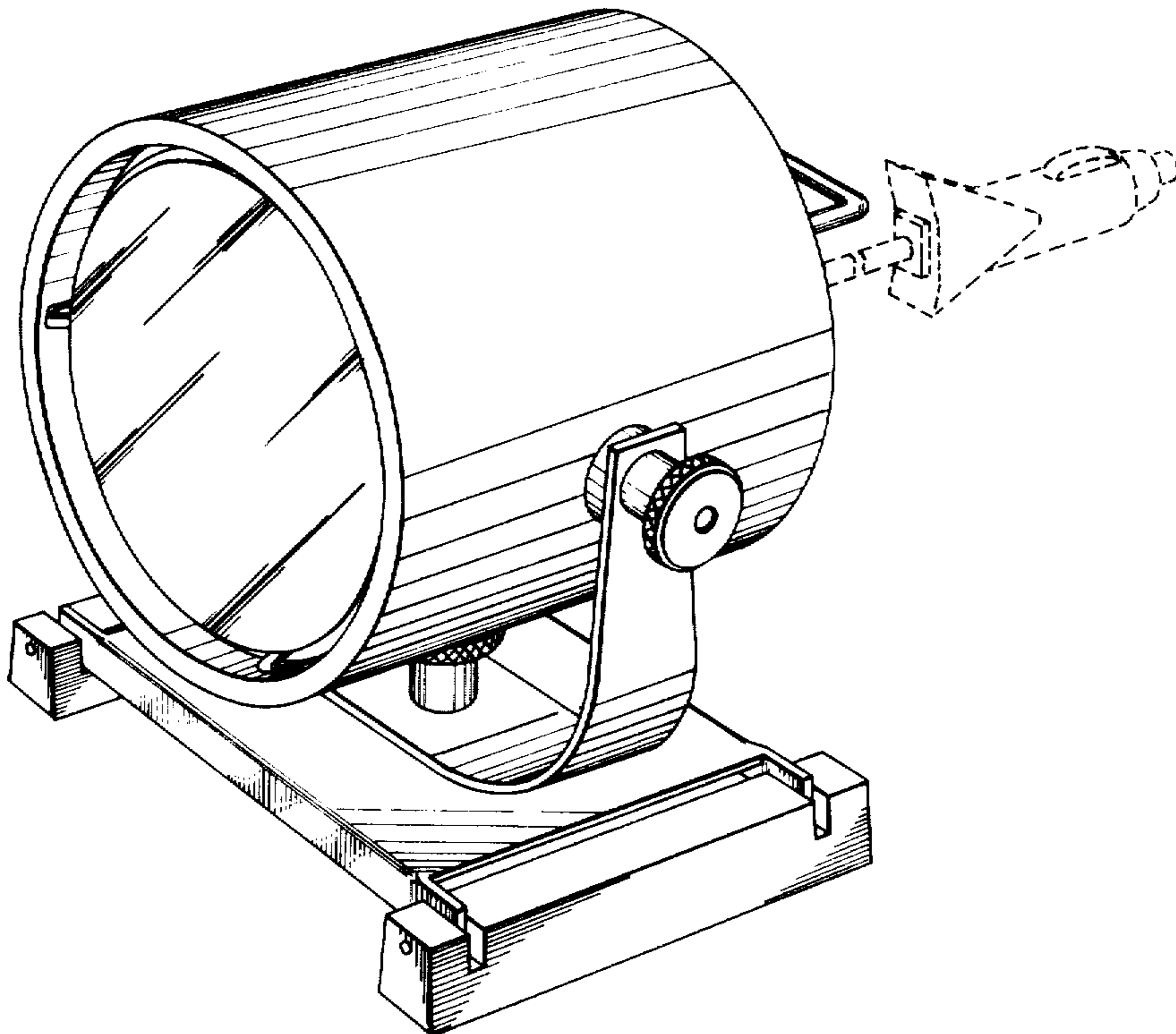
[57] **CLAIM**

The ornamental design for a lamp, as shown and described.

DESCRIPTION

FIG. 1 is a front and side perspective view of a lamp embodying my new design;
FIG. 2 is a side elevational view;
FIG. 3 is a front elevational view;
FIG. 4 is a rear elevational view;
FIG. 5 is a top view;
FIG. 6 is a bottom view.

The electrical supply cord and probe are shown in broken lines for illustrative purposes only.



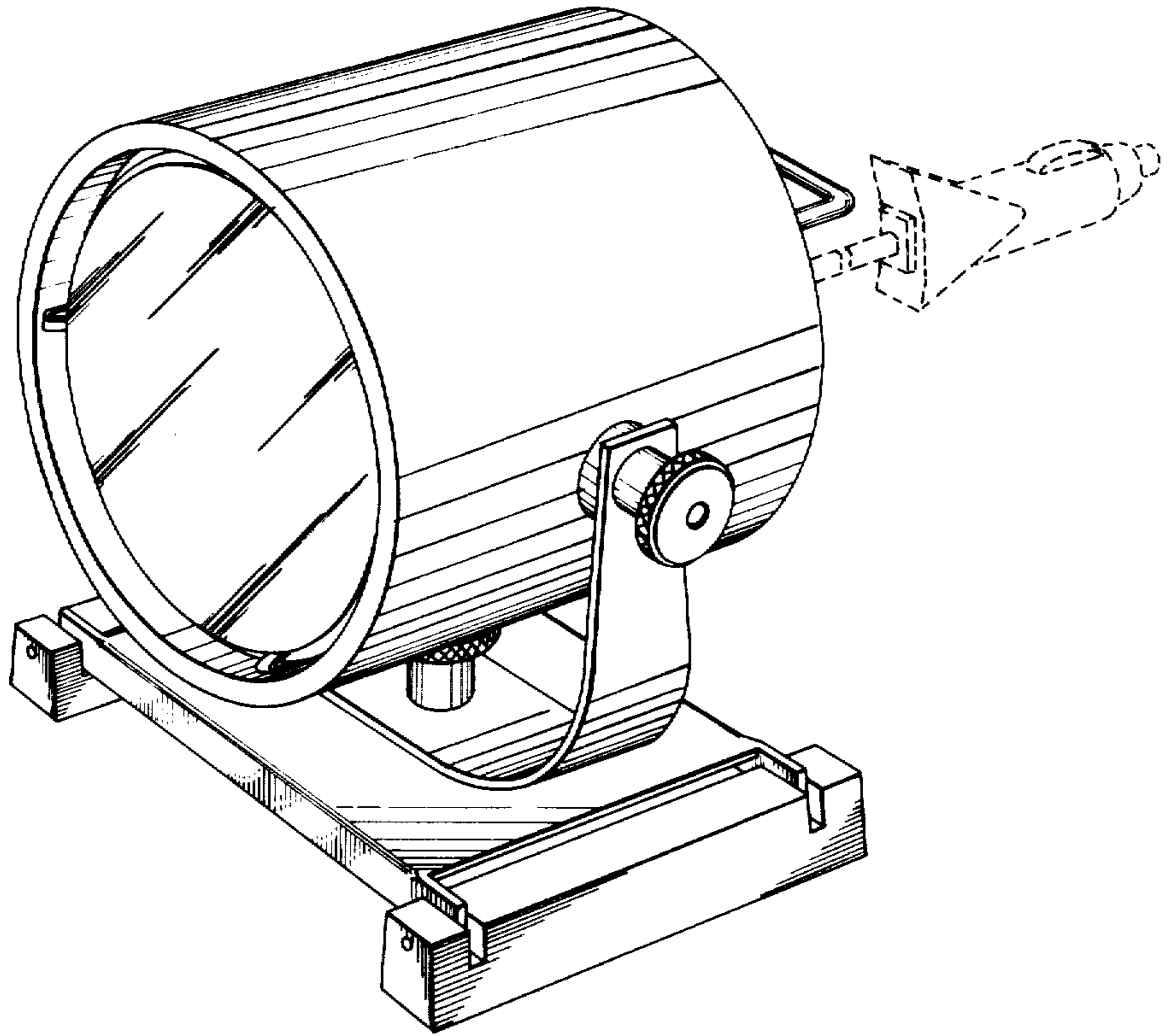


FIG. 1

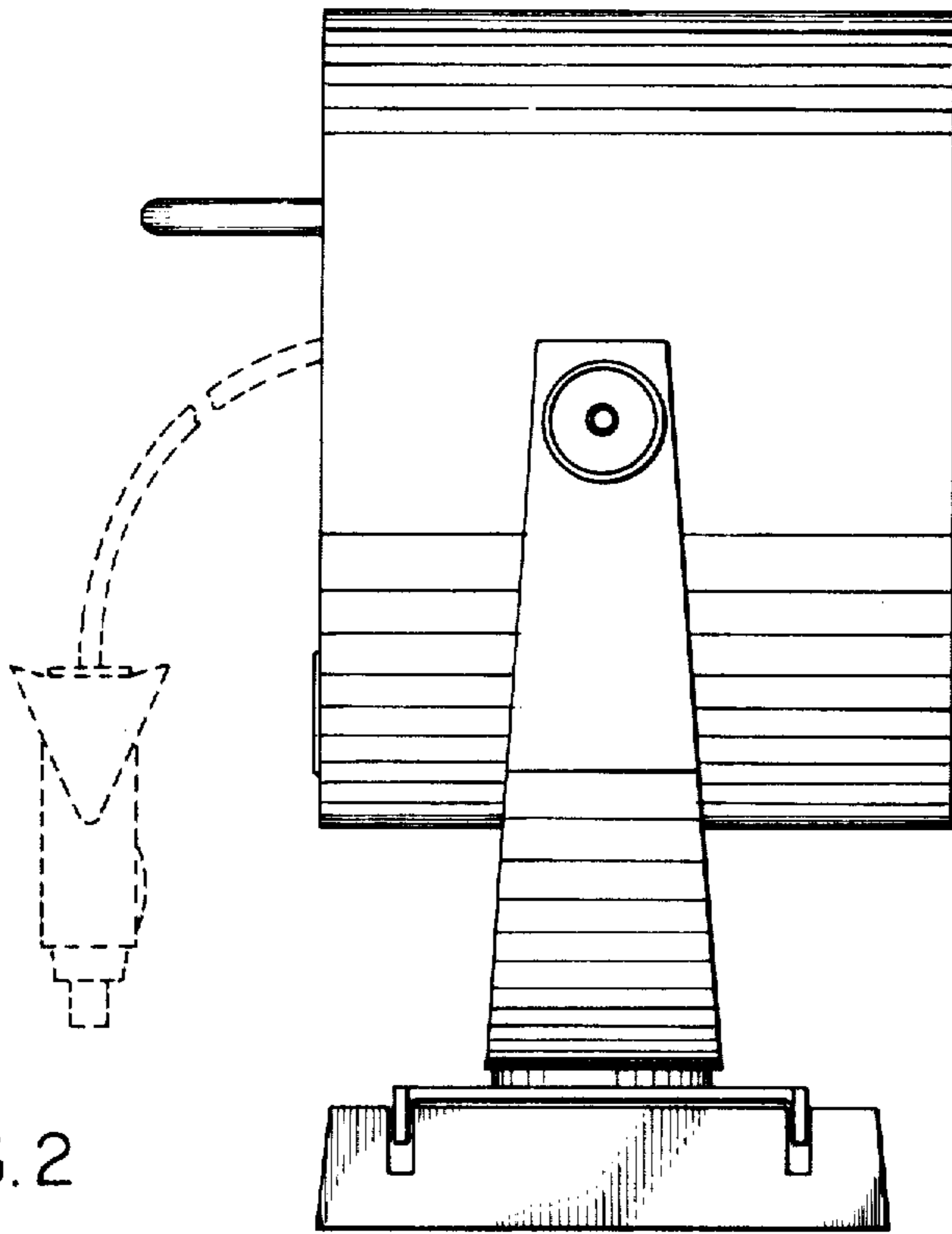


FIG. 2

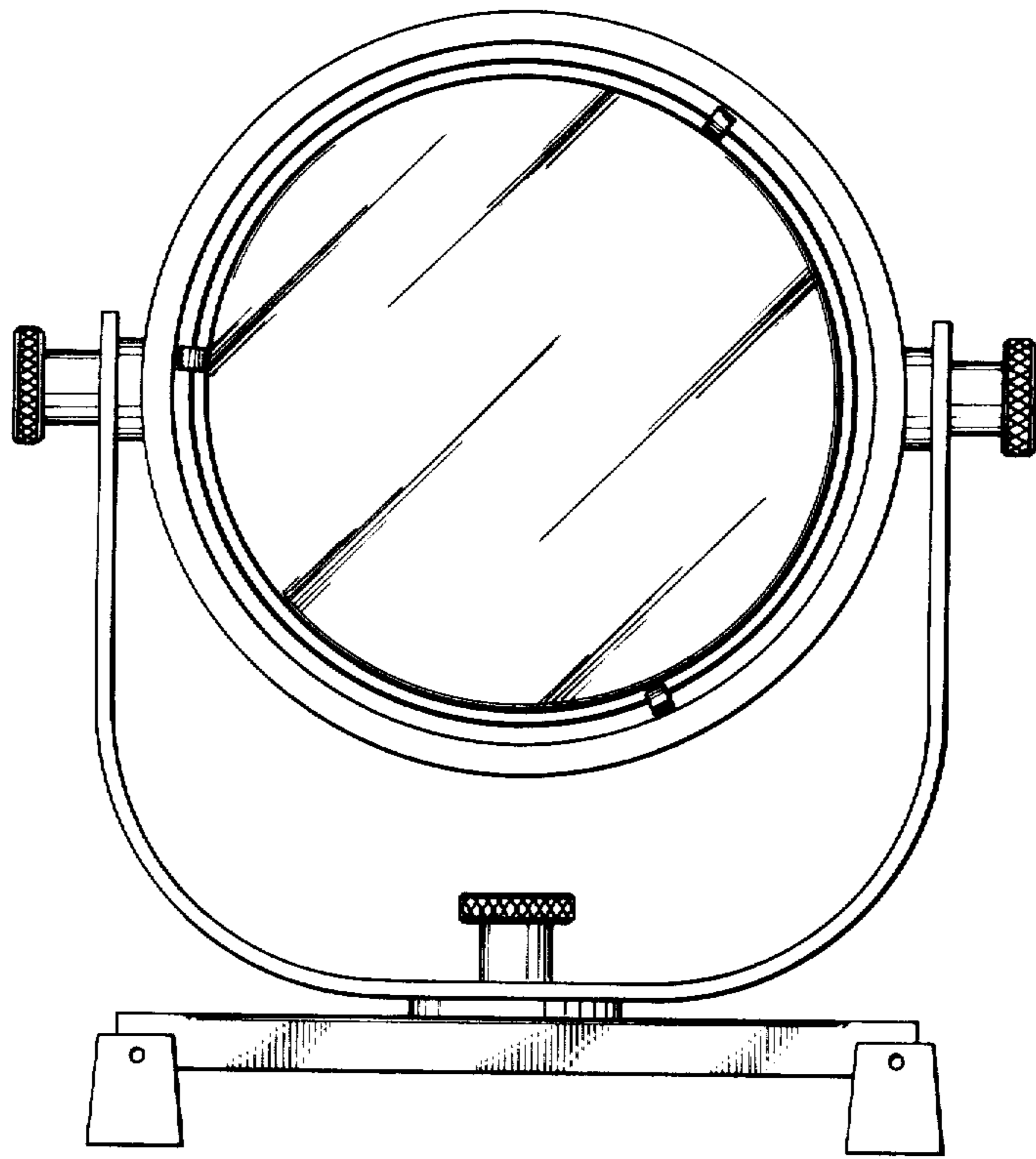


FIG. 3

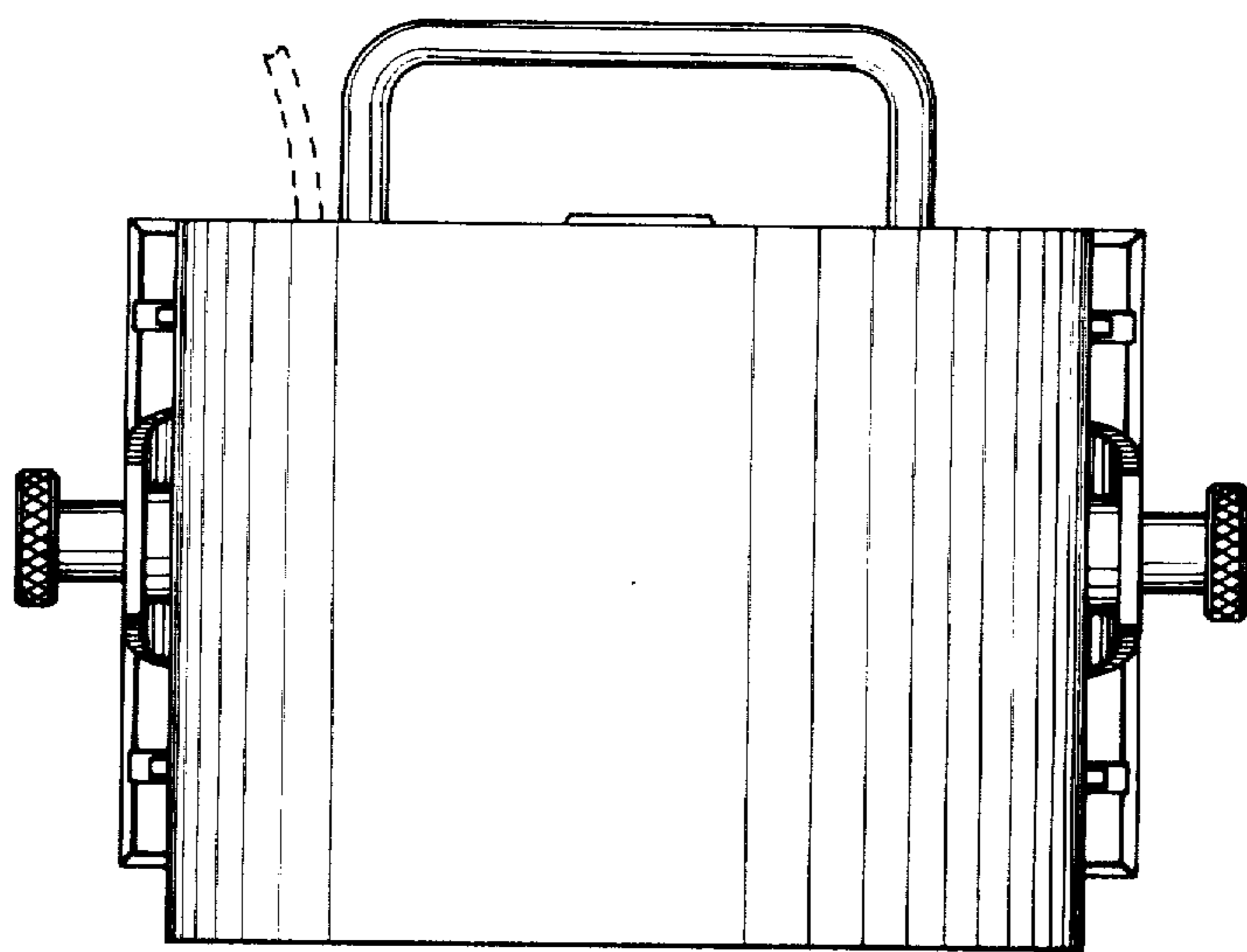


FIG. 5

FIG. 4

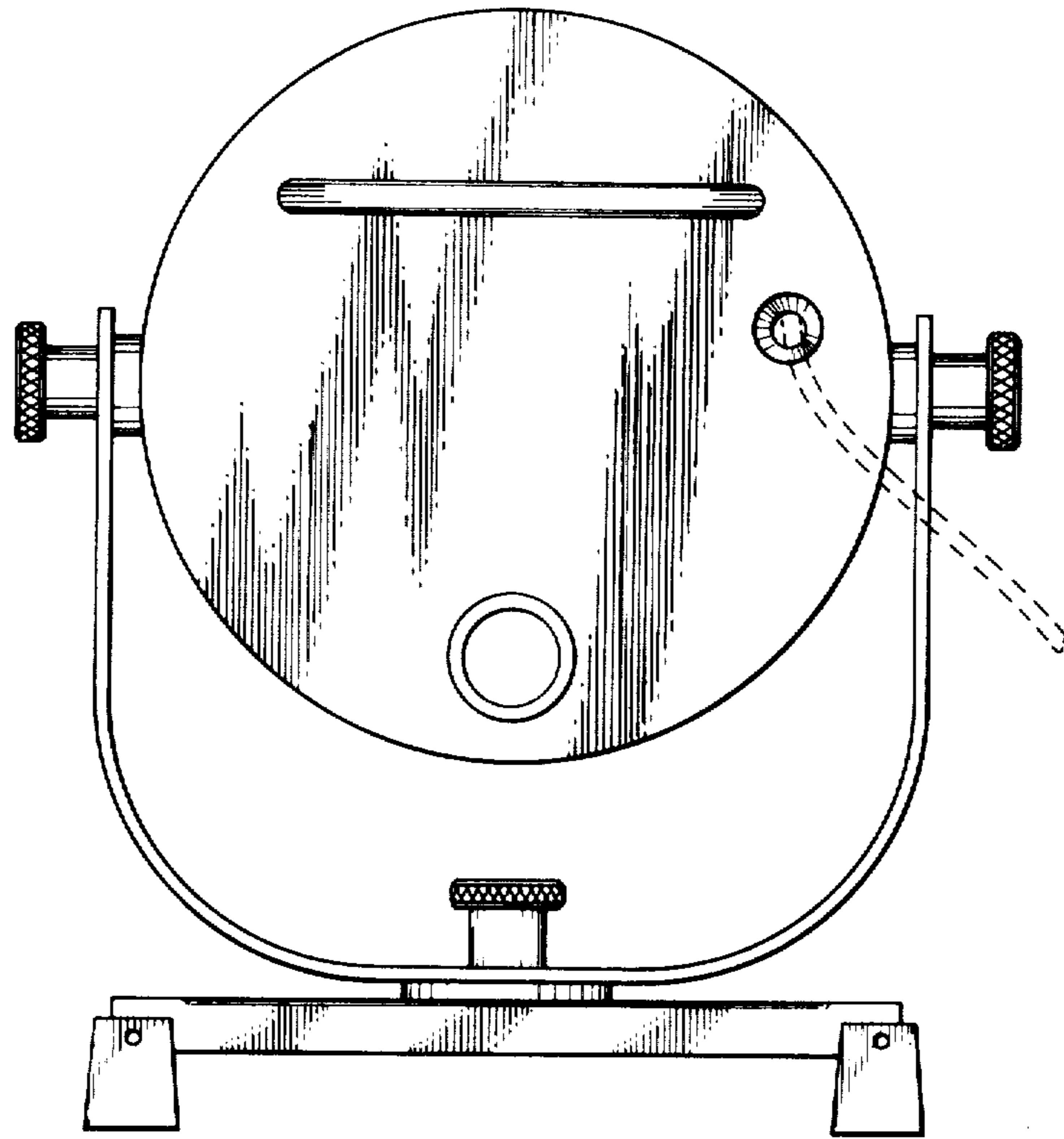


FIG. 6

