

[54] HOUSING FOR A REVOLVING LAMP

[76] Inventors: **Peter E. Brudy**, 111 Angus Drive, Willowdale, Ontario, Canada; **John Smith**, 381 Shirley Road, Southampton, England, S091HB

[**] Term: **14 Years**

[21] Appl. No.: **491,001**

[22] Filed: **July 23, 1974**

[30] **Foreign Application Priority Data**
 Jan. 23, 1974 Canada D. 45635

[51] **Int. Cl.** D26-02; D10-06

[52] **U.S. Cl.** D48/24 R

[58] **Field of Search** D48/24 R; D10/114; 240/7.1 R, 22, 24, 49, 41.55, 100, 106 R, 106.1; 340/50, 84, 87

[56] **References Cited**

U.S. PATENT DOCUMENTS

925,563 6/1909 Coulter 240/7.5

OTHER PUBLICATIONS

Dietz Automotive Lighting Equipment Cat. 100, 1972, p. 7-7, Junior Emergency Revolving Lamp.

Industrial Equipment News, Jan. 1964, p. 48-Federal Signal Warning Light.

Primary Examiner—Susie J. Mercer
Attorney, Agent, or Firm—Arthur Raisch

[57] **CLAIM**

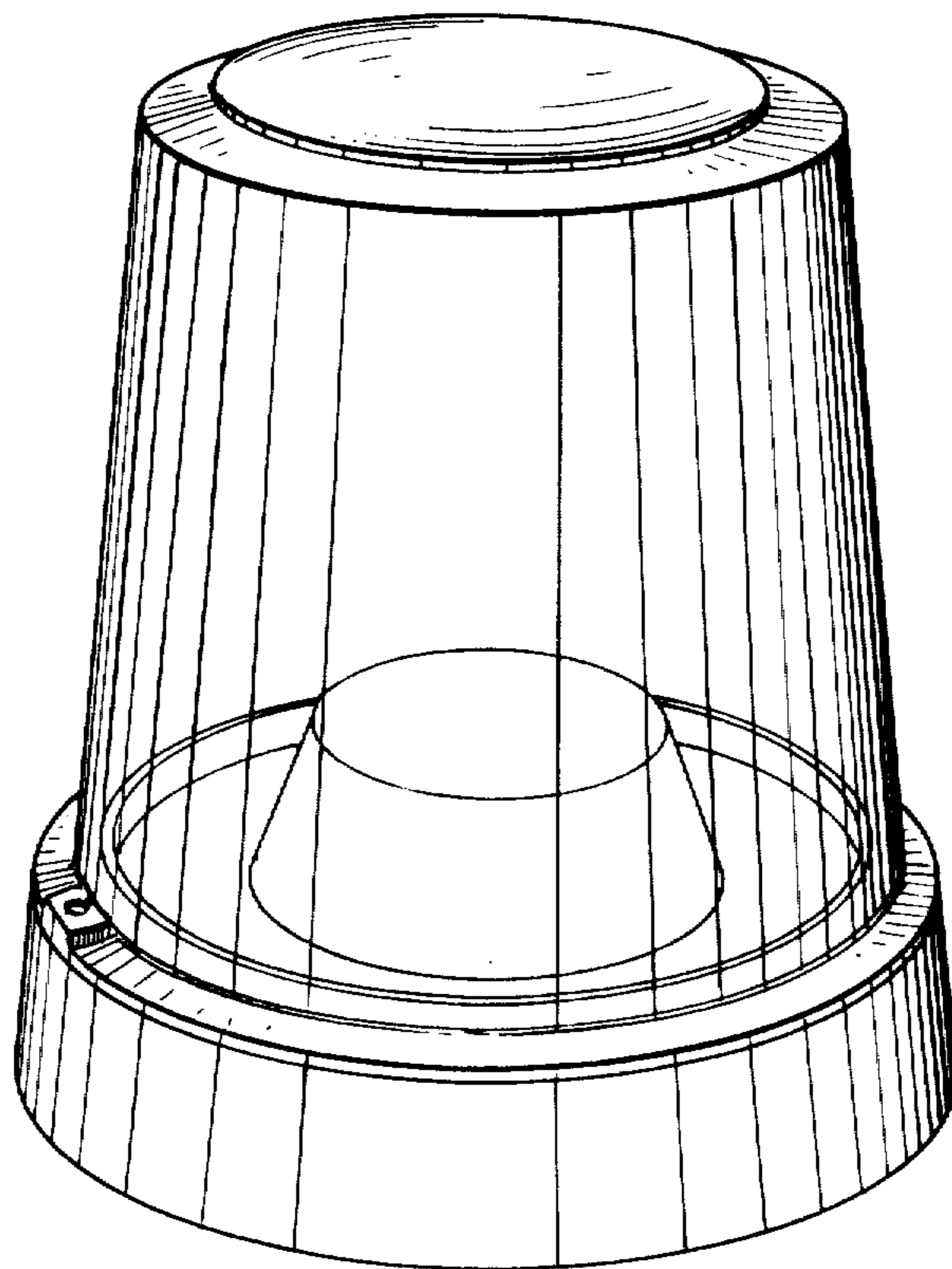
The ornamental design for a housing for a revolving lamp, as shown.

DESCRIPTION

FIG. 1 is a perspective view of a housing for a revolving lamp embodying our novel design.

FIG. 2 is a plan view of the same.

FIG. 3 is a side elevational view of the same.



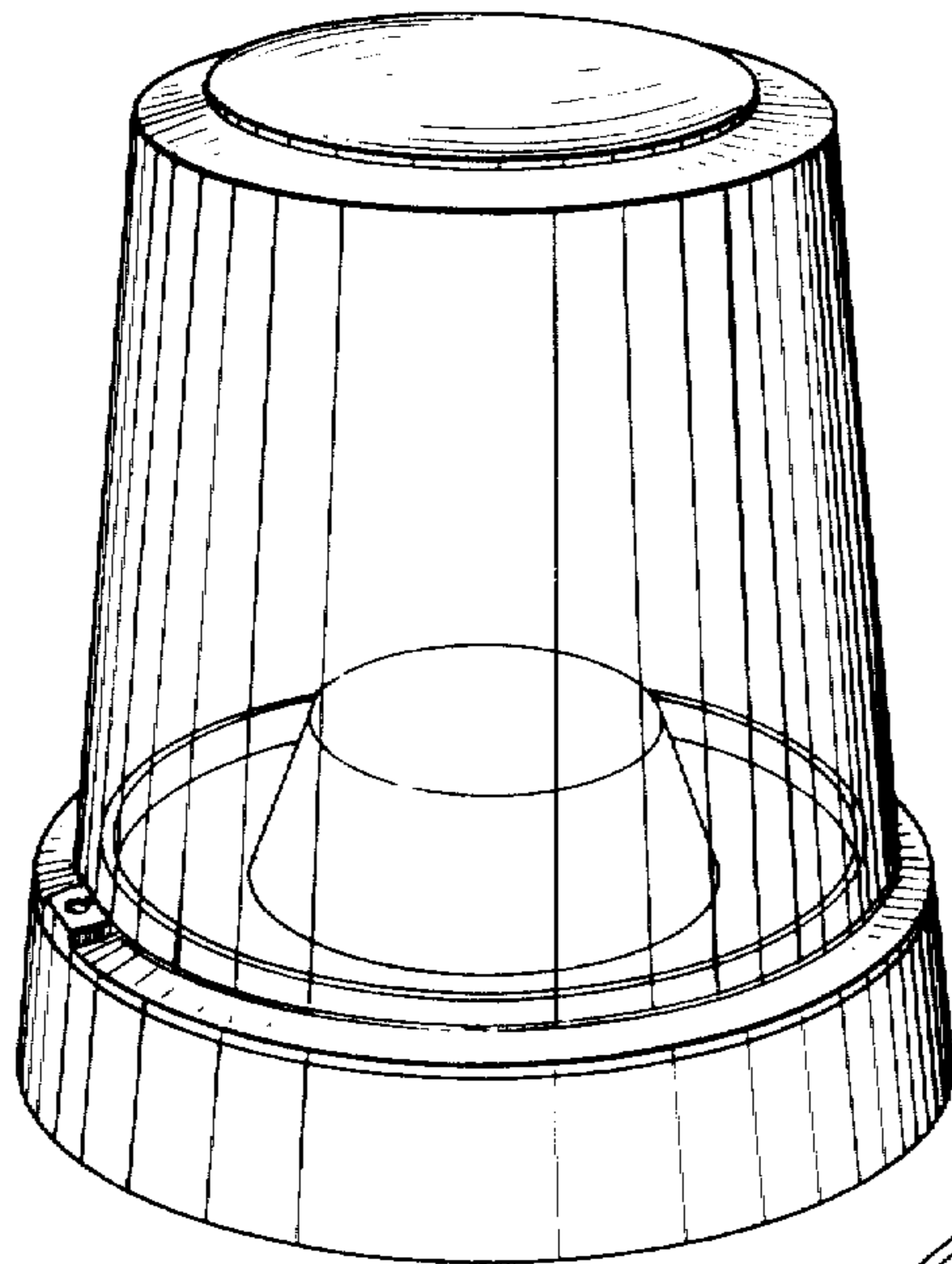


FIG. 1

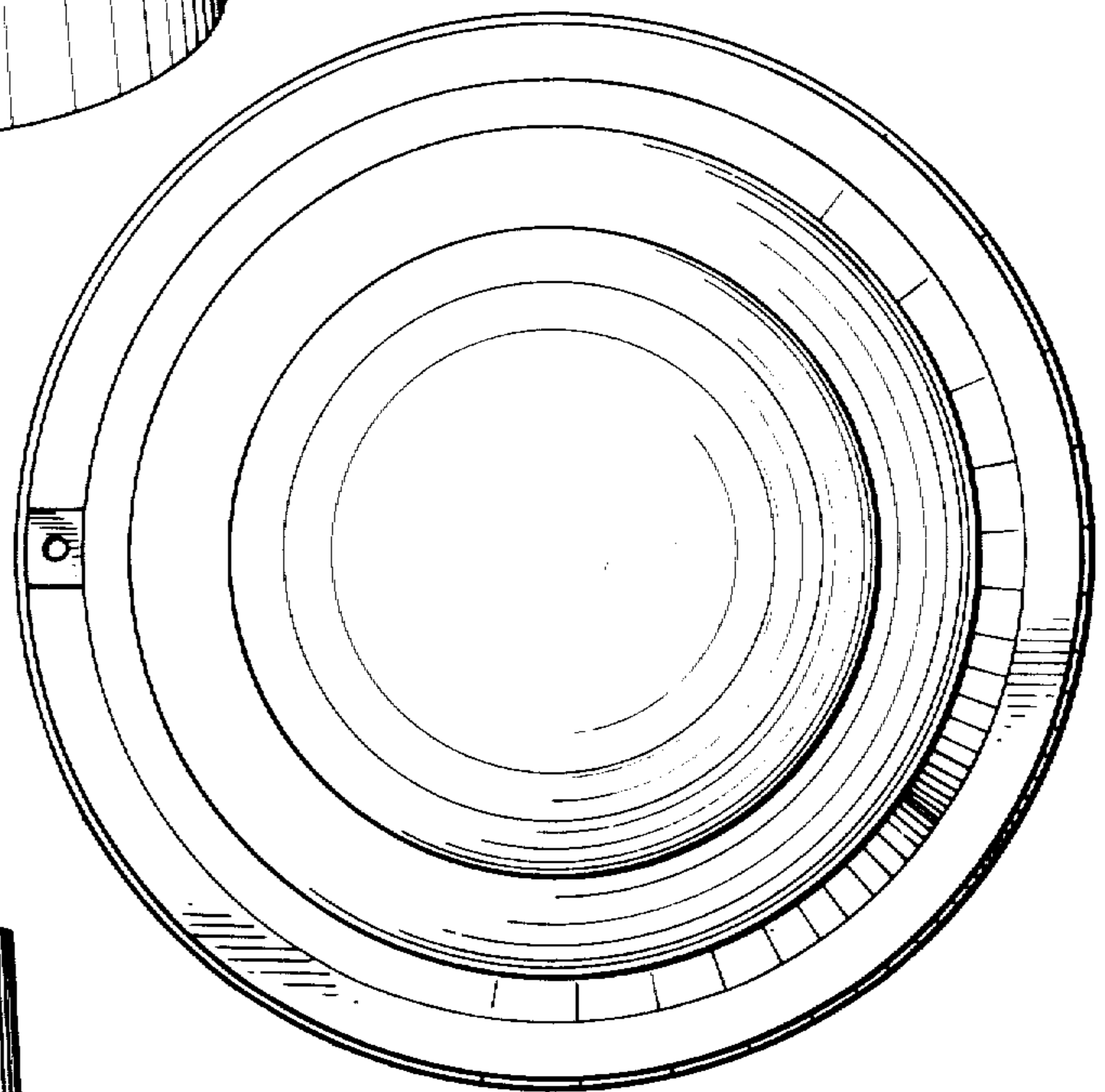


FIG. 2

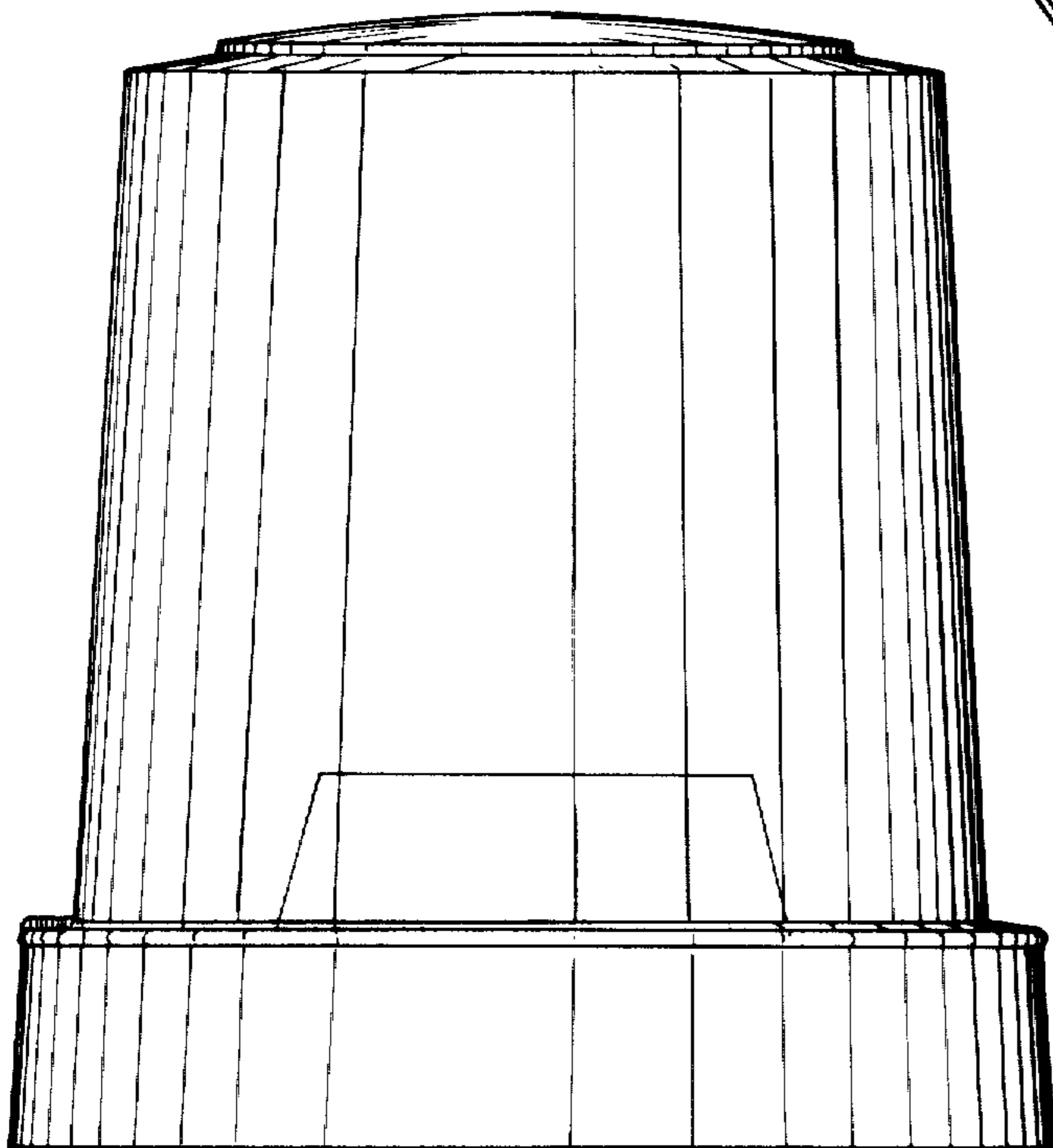


FIG. 3