

[54] COMBINED SELF-PROPELLED
ARTICULATED TRACTOR WITH LAWN
MOWER APPARATUS

[75] Inventors: Hans Tage Alfred Ehrlin; Christian
Gunnar Haggstam, both of Tranas,
Sweden

[73] Assignee: Stiga AB, Tranas, Sweden

[**] Term: 14 Years

[21] Appl. No.: 533,783

[22] Filed: Dec. 18, 1974

[30] Foreign Application Priority Data

June 26, 1974 Sweden 741063

[51] Int. Cl. D15-03

[52] U.S. Cl. D15/15

[58] Field of Search D40/1 D; 56/13.4, 13.3,
56/15.8, 16.1, 15.9, DIG. 22, 16.1; 180/1 F,
89 R

[56] References Cited

OTHER PUBLICATIONS

Implement & Tractor, Oct. 7, 1973, p. 42, Front Run-
ner GMT Tractor, second box down from top right side
of page.

Primary Examiner—Wallace R. Burke
Assistant Examiner—James M. Gandy
Attorney, Agent, or Firm—Robert Osann

[57] CLAIM

The ornamental design for a combined self-propelled
articulated tractor with lawn mower apparatus, as
shown.

DESCRIPTION

FIG. 1 is a front perspective view of a combined self-
propelled articulated tractor with lawn mower appara-
tus showing our new design;

FIG. 2 is a rear perspective view thereof;

FIG. 3 is a side perspective view thereof; and

FIG. 4 is a side perspective view thereof opposite to
that shown in FIG. 3.

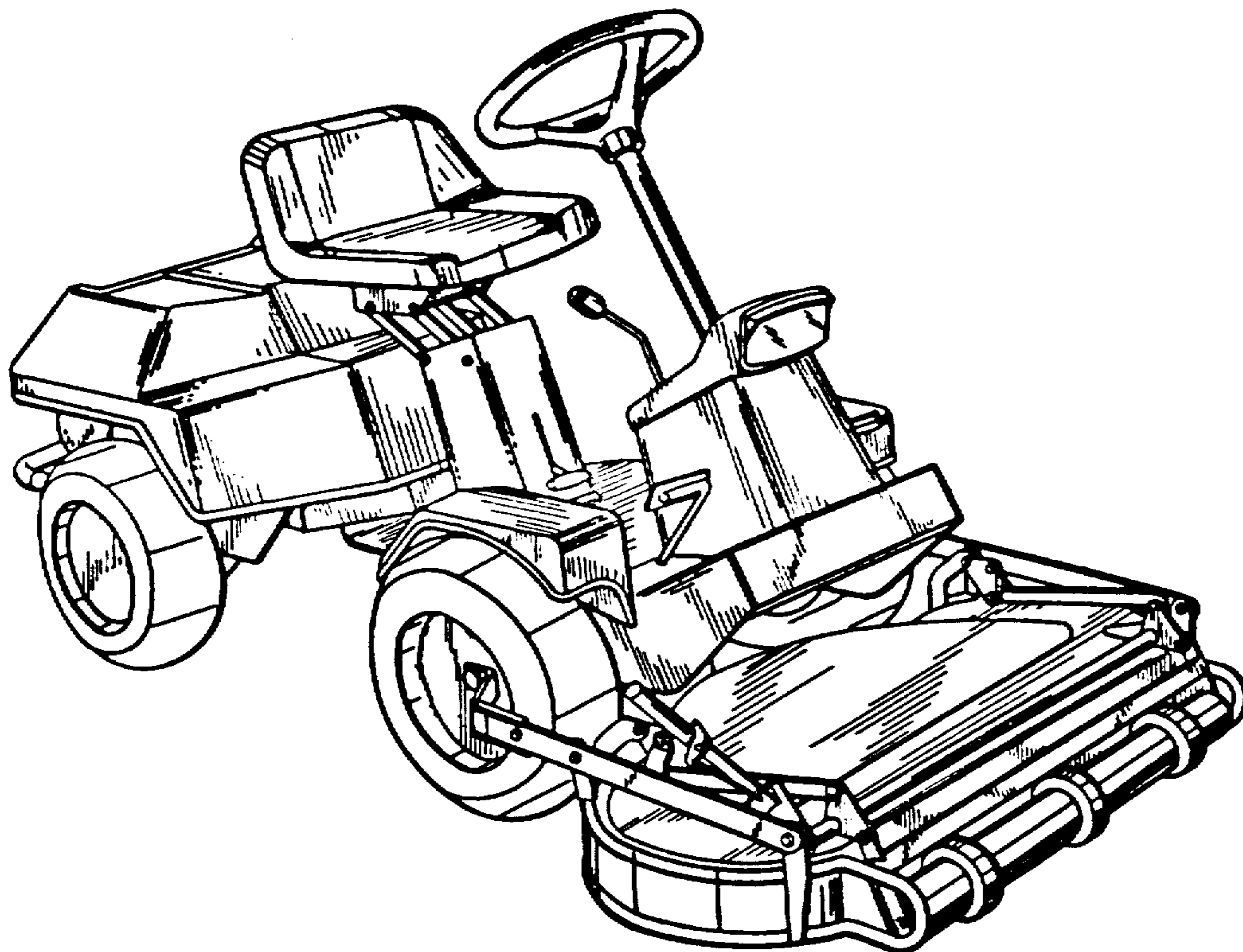


FIG. 1

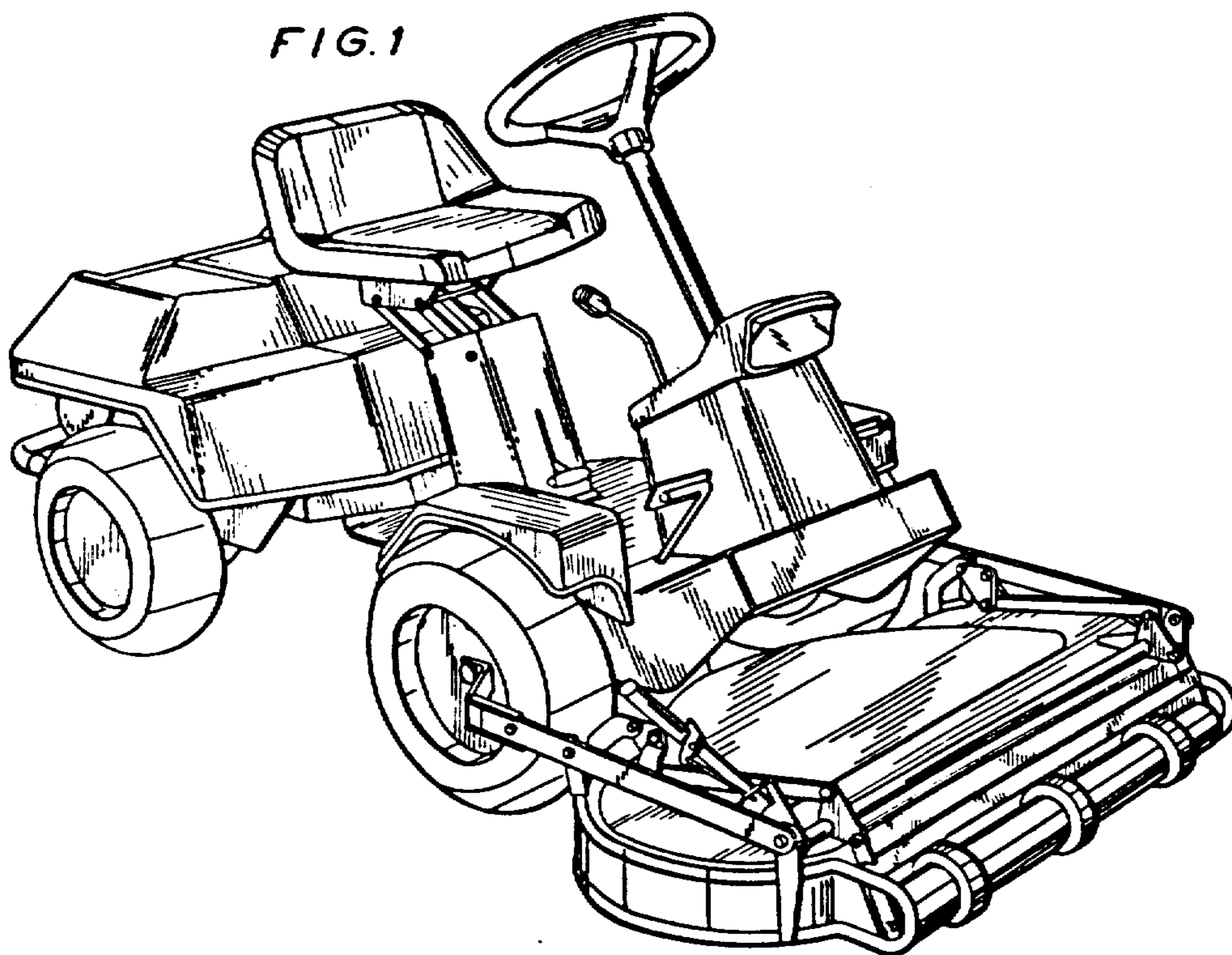


FIG. 2

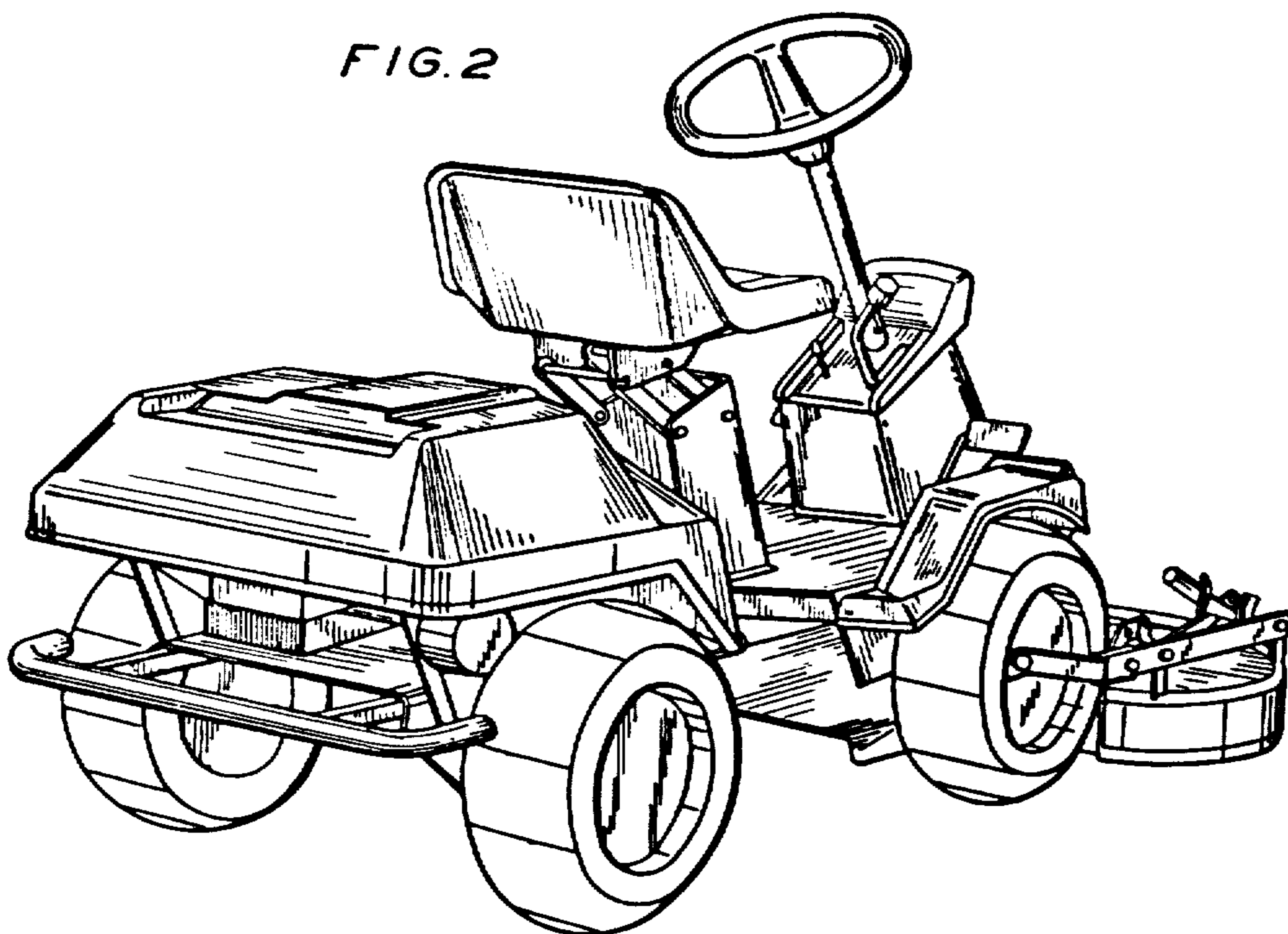


FIG. 3

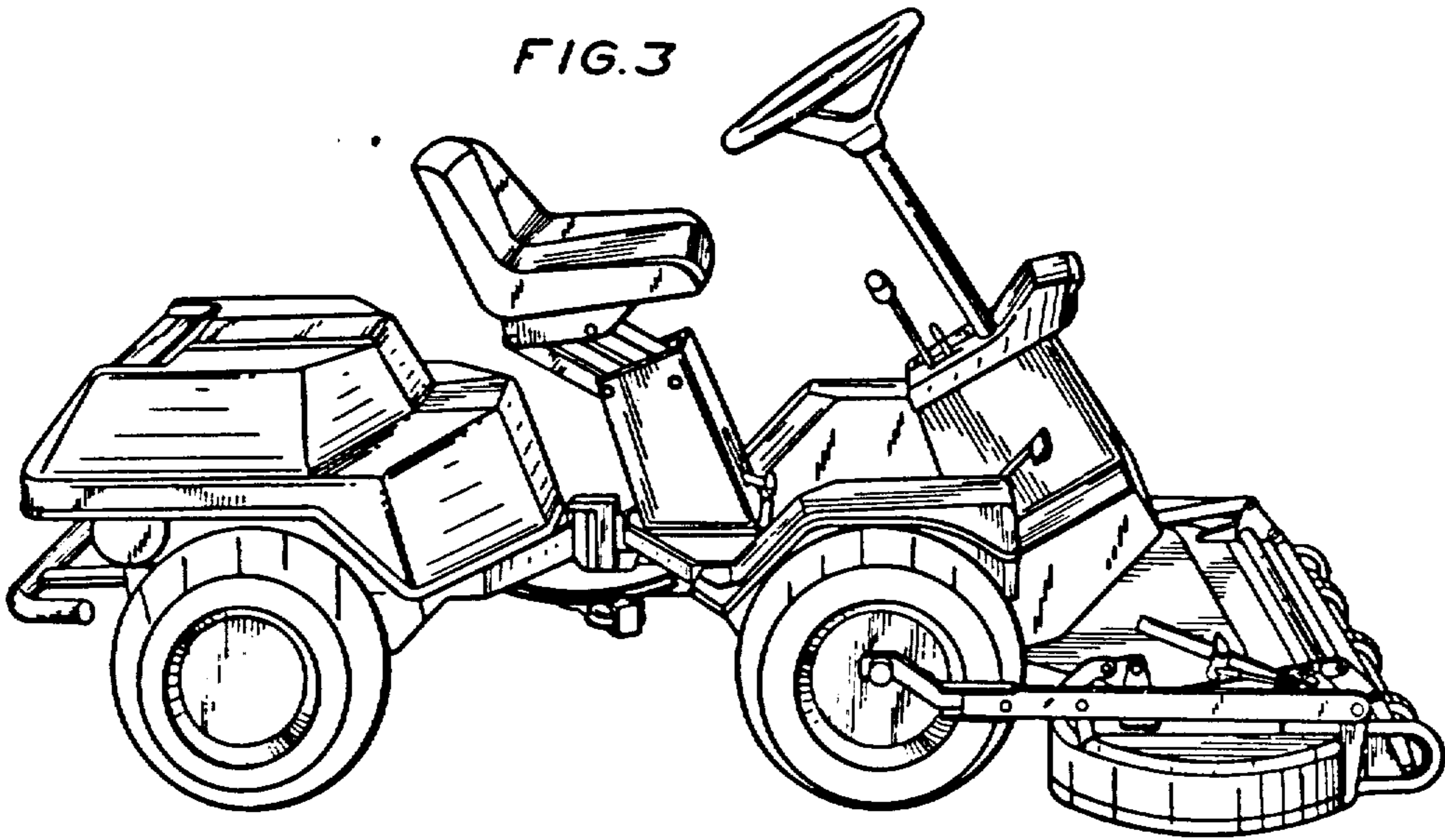


FIG. 4

