

[54] WEAR SOLE FOR MOUNTING UPON AND LOCKING ROLLER SKATE WHEELS

[75] Inventor: Joseph P. Famolare, Jr., Florence, Italy

[73] Assignee: Famolare, Inc., New York, N.Y.

[\*\*] Term: 14 Years

[21] Appl. No.: 531,884

[22] Filed: Dec. 12, 1974

[51] Int. Cl. .... D21-99

[52] U.S. Cl. .... D34/14 R

[58] Field of Search .... D34/14; 280/11.2, 11.1 ET, 280/11.32 E, 11.38; 36/1, 12, 14, 25 R, 28, 32 R, 36 R, 42, 59 R, 62

[56] References Cited

U.S. PATENT DOCUMENTS

2,238,084	4/1941	Tuell et al. ....	280/11.38
3,789,208	1/1974	Lewis .....	280/11.37 E
3,861,697	1/1975	Dolce .....	280/11.1 R
3,861,697	1/1975	Dolce .....	280/11.1 R

FOREIGN PATENT DOCUMENTS

375,769 5/1923 Germany ..... 280/11.1 ET

OTHER PUBLICATIONS

Sears, Xmas Book, 1969, p. 447, Tracked Vehicle.

Primary Examiner—Joel Stearman

Assistant Examiner—C. A. Rademaker

Attorney, Agent, or Firm—Hubert T. Mandeville

[57] CLAIM

The ornamental design for a wear sole for mounting upon and locking roller skate wheels, substantially as shown and described.

DESCRIPTION

FIG. 1 is a perspective view of a wear sole for mounting upon and locking roller skate wheels showing my new design;

FIG. 2 is a side elevational view thereof, the opposite side being the same in appearance; and

FIG. 3 is a top plan view thereof, the bottom plan view being the same in appearance.

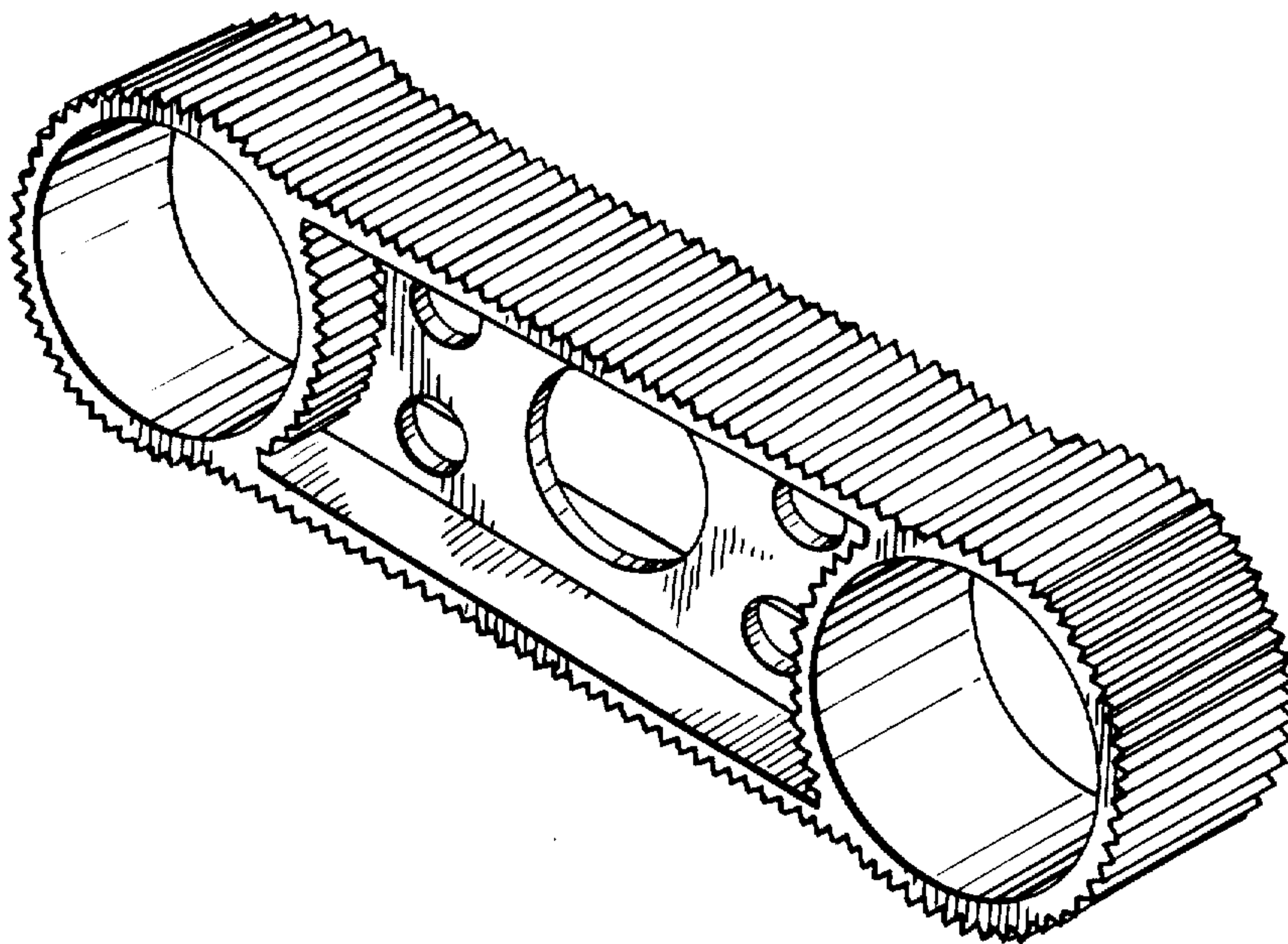


FIG. 1

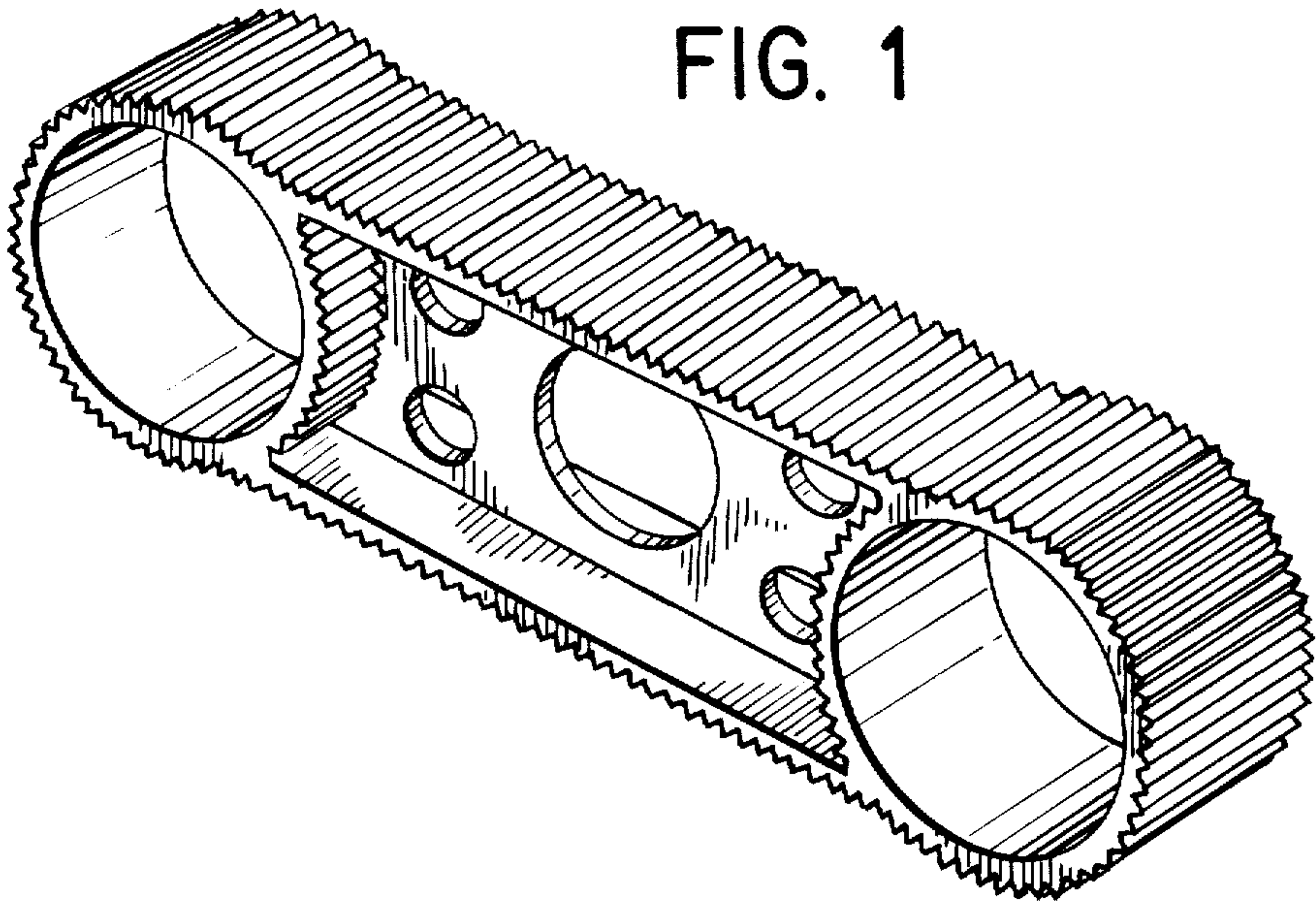


FIG. 2

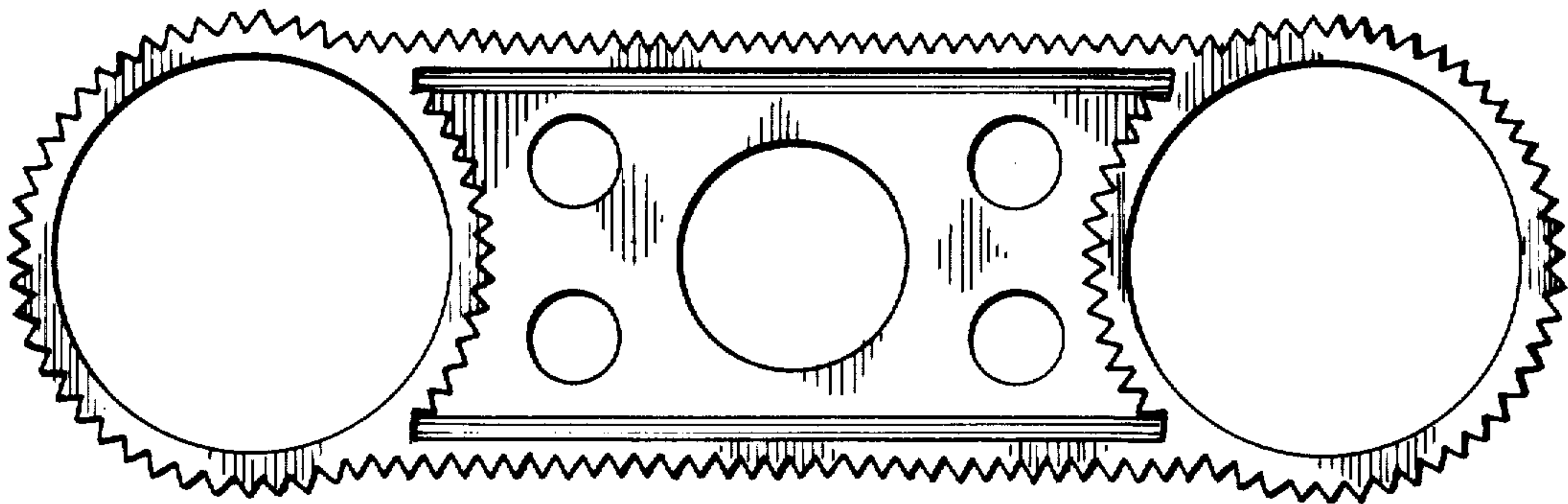


FIG. 3

